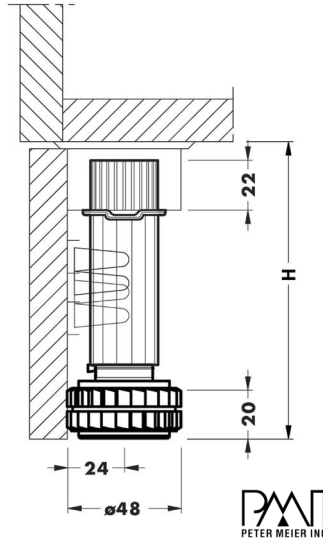




# Camar Smile System & Cabinet Levelers

The Smile base cabinet leveler system offers innovative adjustment techniques suitable for all toe kick heights.

## Camar Smile System Cabinet Levelers



Saves valuable time during base cabinet installation, minimize water damage to cabinets by elevating cabinets from directly touching the floor, as well as a space-saving solution when shipping base cabinets without toe-kicks.

- Requires Plastic Sockets in various mounting options (sold separately).
- Use with Adjustment Tool 809-48-TT (sold separately).
- Two-piece leveler (foot and shaft).
- Foot and shaft made out of a long-lasting High Impact ABS Plastic.
- Total Adjustment of 1".
- 330 lbs. Load capacity per leveler.
- Added convenience to reach significant depth, corner, and rear cabinets.
- Floating side-to-side toe-kick adjustment via Toe-Kick Clips (sold separately).
- Includes leveler only, sold Individually.
- 1/box. Sold individually.

Product #	Height	Finish
450-10-TT	3-3/4" to 4-3/4"	Black
450-11-TT	4-1/8" to 5-1/8"	Black
450-113-TT	4-7/8" to 5-7/8"	Black



hardwarehut.com



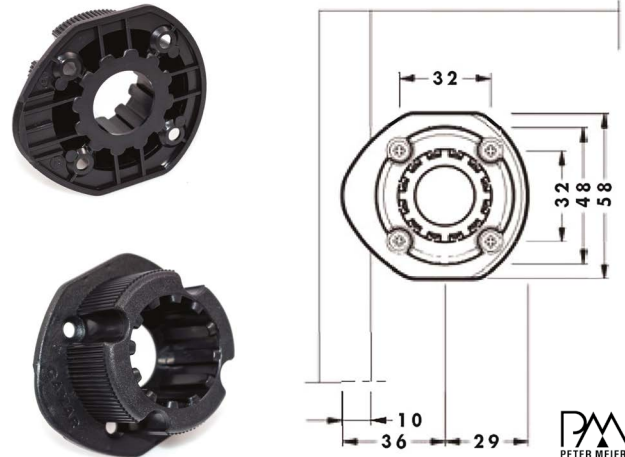
## 2-Finger Toe-Kick Clips



- 2-Finger Clip.
- Adhesive Mount.
- For use with Peter Meier metal or plastic levelers (sold separately).
- 1/box. Sold individually.

Product #	Mounting	Finish
228-AD-E2	Adhesive	Black/silver
228-AN-C2	4mm Groove Mount	Black/silver

## Plastic Cabinet Leveler Sockets



- Wood screw mount (3.5mm wood screws not included).
- Made of ABS plastic for strength and stability.
- V-Plate design for extra support.
- Can only be used with plastic levelers (sold separately).
- 1/box. Sold individually.

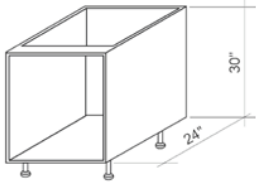
Product #	Finish
840-H5-P2	Black

**5' x 9' SHEET YIELD**  
(Gain of 2 end panels)

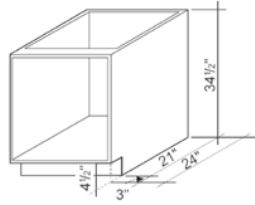
# YIELD BENEFITS

**4' x 8' SHEET YIELD**  
(Gain of 1 end panel)

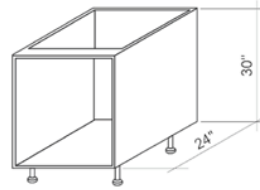
No Toe-Kick Notch



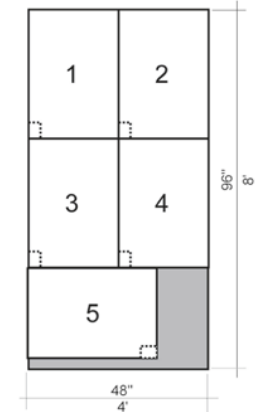
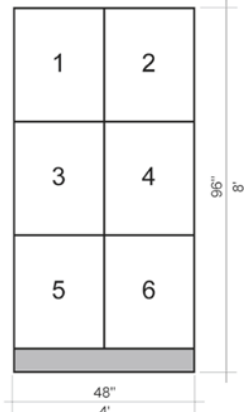
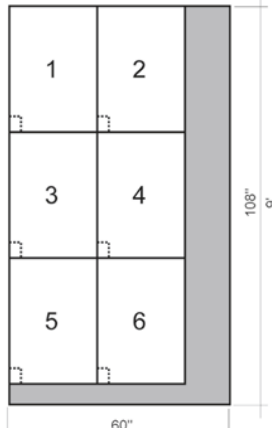
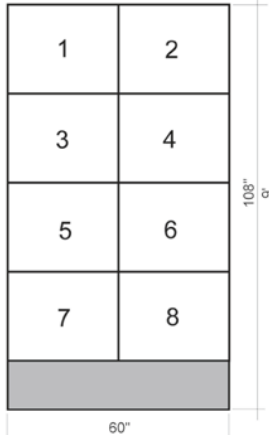
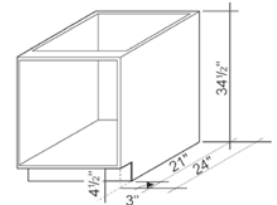
With Toe-Kick Notch



No Toe-Kick Notch



With Toe-Kick Notch



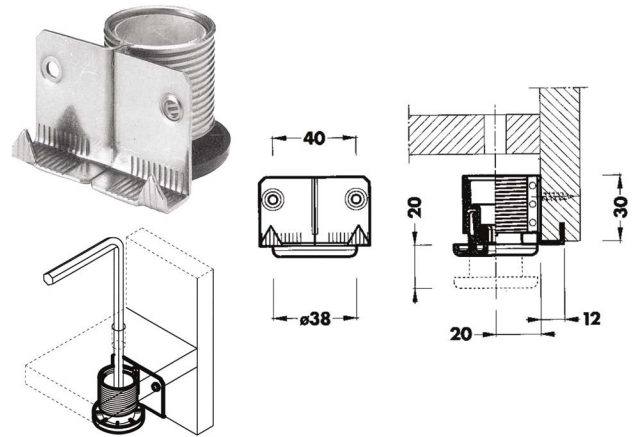
## Camar Smile System Adjustment Tool



- Adjustment tool for Smile System Leveler (levelers sold separately)
- Rotate the tool 180° to adjust the leveler Up or Down.
- Retractable insert for use with the extension tool 809-60-TT (sold separately) for hard to reach leveler locations.
- Best European-designed leveling system for base cabinet installation.
- Make leveler adjustments with ease, and convenience to reach significant depth, corner, and rear cabinets.
- Lasting High Impact ABS Plastic, providing reliable strength and stability
- 1/box. Sold individually.

Product #	Description
809-48-TT	Adjustment Tool
809-13-Z1	Allen Hex Key for 300 Metal Heavy-Duty Levelers
809-60-TT	Extension Handle

## CAMAR® 300 Metal Heavy-Duty Levelers



- Total adjustment of 3/4".
- 330 lb. weight capacity.
- Heavy duty construction with a metal insert and large floating ABS foot.
- Easy install and convenient adjustment with hex key (Sold separately when ordering less than full box).
- (10) – 6mm hex keys included when ordered in full box of 100.
- Sold individually.
- 1/box. Sold individually.

Product #	Description
300-Z2-Z2	Metal Heavy-Duty Leveler
809-13-Z1	Allen Hex Key for 300 Metal Heavy-Duty Levelers

