

Accuride

MODEL 3832SC 3834SC

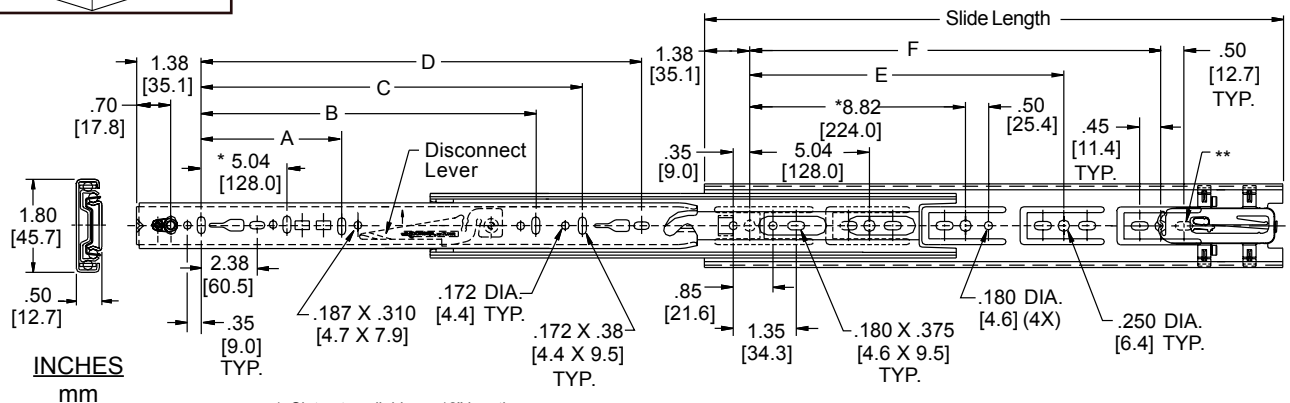
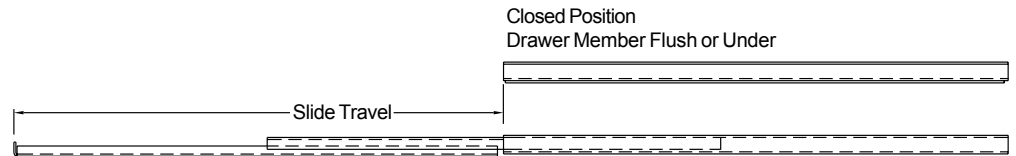
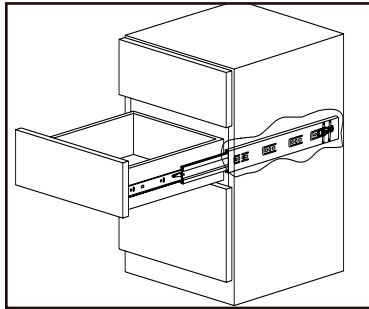
Vertical Drawer Adjustment
Self-Close Feature
Stay-Close Feature
Optional Face Frame Bracket



APPLICATIONS: For use in wood pedestals, dresser and desk drawer, casework, residential and kitchen cabinetry. **Not intended for lateral file drawer applications. Use for side mount only. This product is covered by U.S. (5,980,007) and various foreign patents issued and/or pending.**

3832SC 3834SC QUICK REFERENCE

Side space: 1/2" + 1/32" x 2
Length: 3832SC: 12"-26"
3834SC: 14"-26"
Overall slide dimensions: 1.80" x 1/2"
Load Rating: 3832SC 100 lbs.*
3834SC 90 lbs.*



* Slot not available on 12" lengths.
** Slot not accessible on 16" and 20" lengths.

- Finish** Clear electroplate (C), black electroplate (CB), or white electrocoat (EW) finish
- Length** 3832SC: 12"-26" [300 mm-650 mm]
3834SC: 14"-26" [350 mm-650 mm]
- Load Rating** 3832SC up to 100 lbs. [45.5 kg.] per pair
3834SC up to 90 lbs. [41.0 kg.] per pair
- Travel** 3832SC: Full extension
3834SC: 1" [25.4 mm] over travel
- Disconnect** Handed lever disconnect
- Height** 1.80" [45.7 mm]
- Side Space** .50" +0.031 / -0.0 [12.7mm +0.8 / -0.0]
- Mounting** Side, optional face frame brackets
- Hardware** Flat head 6mm Euro System screw or #8 pan head screw
- Ball Bearings** C & CB finish: Steel
EW finish: Acetal polymer in drawer member
- Features** Drawer member vertical cam adjustment; hold-in detent; silenced open and closed

Part Number	Slide Length	Slide Travel 3832	Slide Travel 3834	A	B	C	D	E	F
3832-C12SC	11.81 [300]	11.25 [286]					9.09 [231]		
3832-C14SC 3832-C14SC	13.78 [350]	14.00 [356]	15.00 [381]				11.06 [281]		
3832-C16SC 3834-C16SC	15.75 [400]	16.00 [406]	17.00 [432]				13.03 [331]	11.34 [288]	
3832-C18SC 3834-C18SC	17.72 [450]	18.00 [457]	19.00 [483]		12.60 [320]		14.99 [381]	12.60 [320]	
3832-C20SC 3834-C20SC	19.69 [500]	20.00 [508]	21.00 [533]				16.96 [432]	15.12 [384]	
3832-C22SC 3834-C22SC	21.65 [550]	22.00 [559]	23.00 [584]		16.38 [416]		18.93 [481]	16.38 [416]	
3832-C24SC 3834-C24SC	23.62 [600]	24.00 [610]	25.00 [635]	8.82 [224]	16.38 [416]		20.90 [531]	13.86 [352]	18.90 [480]
3832-C26SC 3834-C26SC	25.59 [650]	26.00 [660]	27.00 [686]	8.82 [224]	16.38 [416]	21.42 [544]	22.87 [581]	13.86 [352]	20.16 [512]

* Load rating based on an 18" slides mounted in a 16" wide drawer cycled 50,000 times.
• A lateral file is wider than it is deep.

NOTE: Drawer width should not exceed slide length.
NOTE: For optimal performance, make drawer 1-1/16" [27.0 mm] less than cabinet opening. Slides may not function properly if side space is less than .50" [12.7mm].

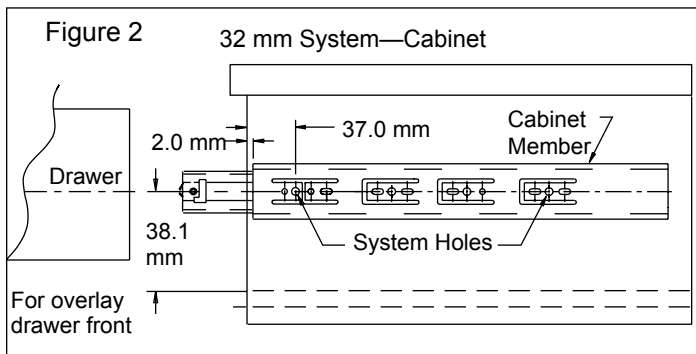
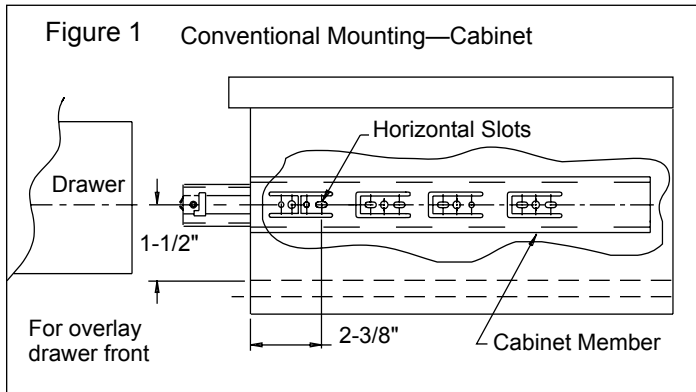
Installation Instructions

Drawer Box Preparation

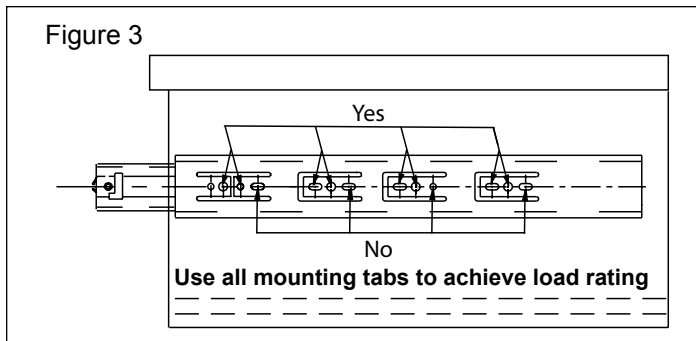
1. Drawer box width should not exceed slide length.
2. Slides will not function properly if side space is less than .50" [12.7 mm]. For optimum performance, construct drawer 1-1/16" [27.0 mm] smaller than cabinet opening.

Cabinet Member Installation

1. **Overlay drawer front:**
 - Conventional mounting, see Figure 1.
 - 32 mm system mounting, see Figure 2.
2. **Inset drawer front:** slide setback is the thickness of the drawer front plus 1/8" [3.2 mm].

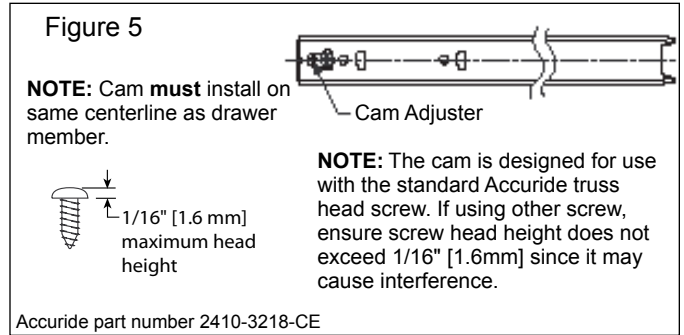
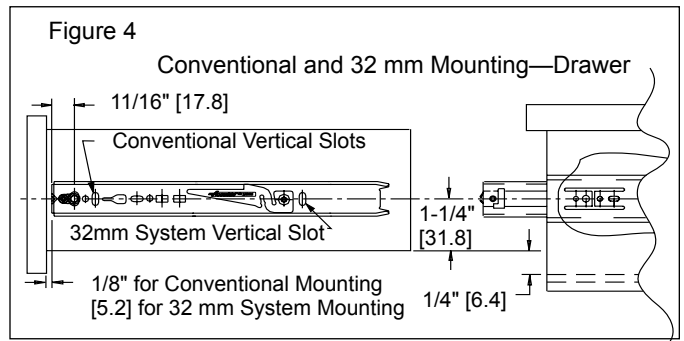


3. Use only the 32 mm system holes or the wood screw holes located at the tip of the breathing tabs. Do not use any other holes on the cabinet member for mounting (Figure 3).



Drawer Member Installation

4. See Figure 4 for drawer member setback.
5. Install the drawer member with a screw through the cam adjuster and a screw through a hole or slot at the rear (Figure 5).



Drawer Insertion and Adjustment

6. **Make sure the ball bearing retainers in the cabinet member are fully forward.** Insert the drawer member into the cabinet member. Push the drawer in until completely closed. Cycle the drawer two or three times.
7. To adjust the drawer front position, open the drawer and rotate the cam with a Phillips or Pozi screwdriver to adjust the vertical position of the drawer. Total vertical adjustment is 1/8" [3.2 mm]; +/- 1/16" [1.6 mm] from center up and down.
8. Install additional set screws to secure. Install drawer pulls or knobs.

Slide Ordering Information

Complete your slide order for Accuride models 3832SC by specifying the following:

				3834			
		50 Pair	C	3832	-C18	SC	D
Total Required Slides	_____	_____	_____	_____	_____	_____	_____
Slide Finish	_____	_____	_____	_____	_____	_____	_____
Slide Model	_____	_____	_____	_____	_____	_____	_____
Slide Length	_____	_____	_____	_____	_____	_____	_____
Self-Close Feature	_____	_____	_____	_____	_____	_____	_____
Polybag Packaging	_____	_____	_____	_____	_____	_____	_____

Packaging

Distributor (D) Pack: All lengths are packaged 10 pair per box. Polybag includes one pair of slides with mounting screws.

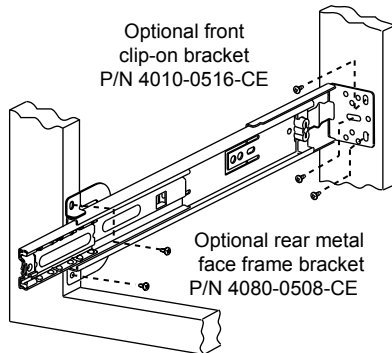
Bulk (P) Pack: All lengths are packaged 10 pair per box. Slides and screws are ordered and packaged separately.

Optional Face Frame Brackets

Face frame brackets are ordered as a kit or in bulk. Brackets are available in clear zinc finish only. Mounting screws are not included.

To order **kits**, specify P/N 4180-0322-XE. Each kit contains: 2 front brackets, 2 rear brackets, and installation instructions. Order 1 kit per pair of slides.

For **bulk**, order 2 front brackets (P/N 4010-0516-CE) and 2 rear brackets (P/N 4080-0508-CE) per pair of slides.



Specifications

Slide members and ball retainers: Cold rolled steel

Ball bearings: Carburized steel/acetal polymer.

RoHS compliant.

NOTE: Specifications, materials, prices, terms, and delivery are subject to change without notice.

Accuride

ACCURIDE INTERNATIONAL INC.

12311 Shoemaker Avenue
Santa Fe Springs, CA 90670

TEL (562) 903-0200

FAX (562) 903-0208

www accuride.com

Manufacturing, Engineering, and Sales

United States • Germany • Japan • Mexico • United Kingdom • China

Copyright © 2010 Accuride International Inc. 3700-9466(1111)-MK086-R2-0611