

**VEGA** 580 x 1418  
mm mm

**V-2356 P/B/O**  
23 x 56 inches

Elettrico / electric / électrique

CODICE / CODE

RS162012SS	RS172012SS
RL162012SS	RL172012SS
RV162012SS	RV172012SS
220v	115v

W

580 mm  
22 7/8 inches

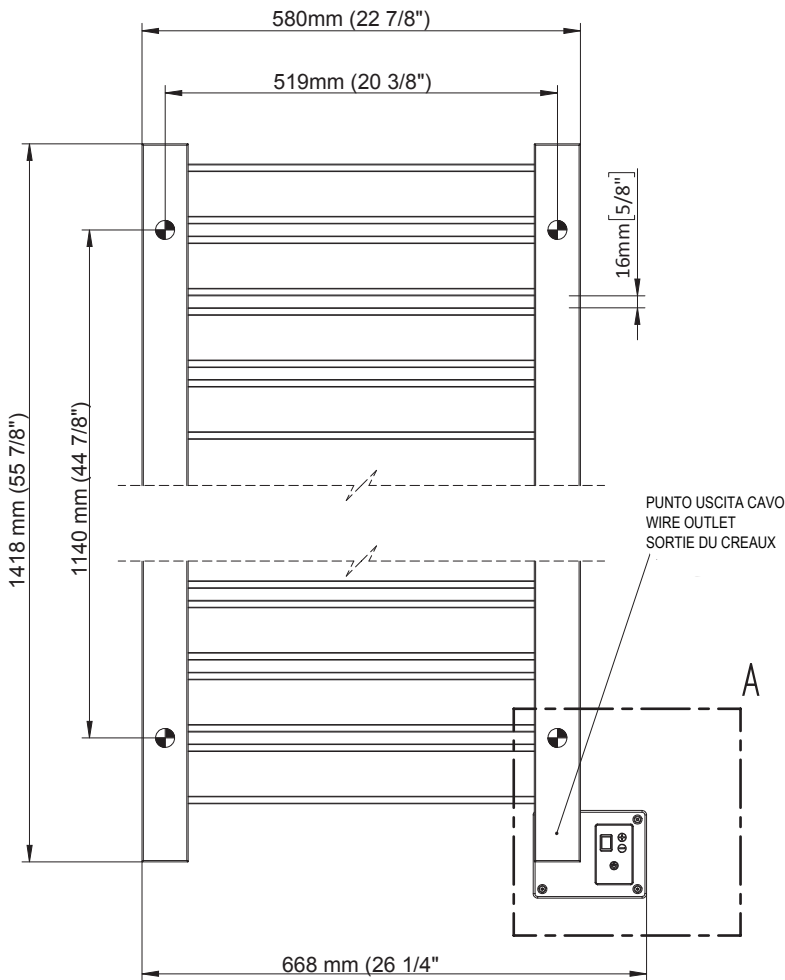
H

1418 mm  
55 7/8 inches

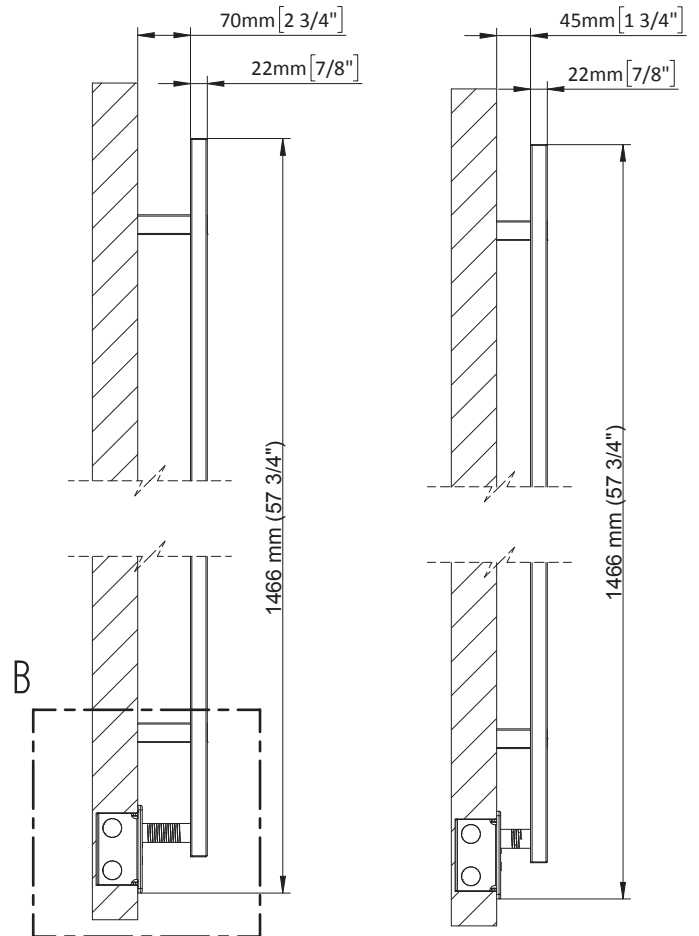
REGOLATORE DI POTENZA  
HEAT CONTROLLER DEVICE  
RÉGULATEUR DE PUISSANCE

INGOMBRO CON ATTACCO LUNGO  
MEASURES WITH LONG BRACKETS  
MEASUREMENT AVEC ATTACHE LONG

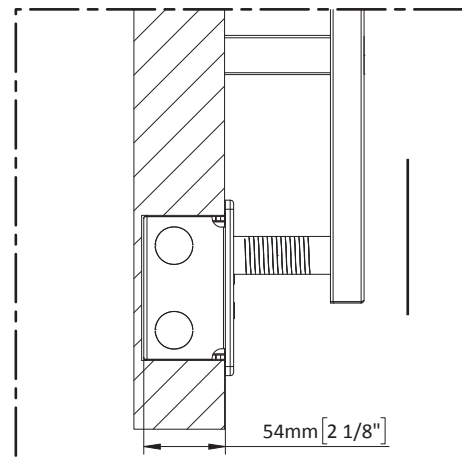
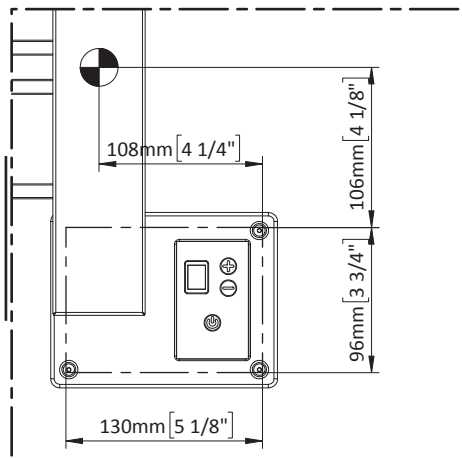
INGOMBRO CON ATTACCO STANDARD  
MEASURES WITH STANDARD BRACKETS  
MEASUREMENT AVEC ATTACHE STANDARD



DETAIL A



DETAIL B



FORO PER INSERIMENTO TASSELLO A MURO 6X30  
POSITIONING OF FASTENERS FOR FIXING TO WALL  
FASTENERS SHOULD BE SECURED IN STUDS OR HEADERS PLACED BEHIND THE UNIT  
TROU POUR LA CHEVILLE A MUR

