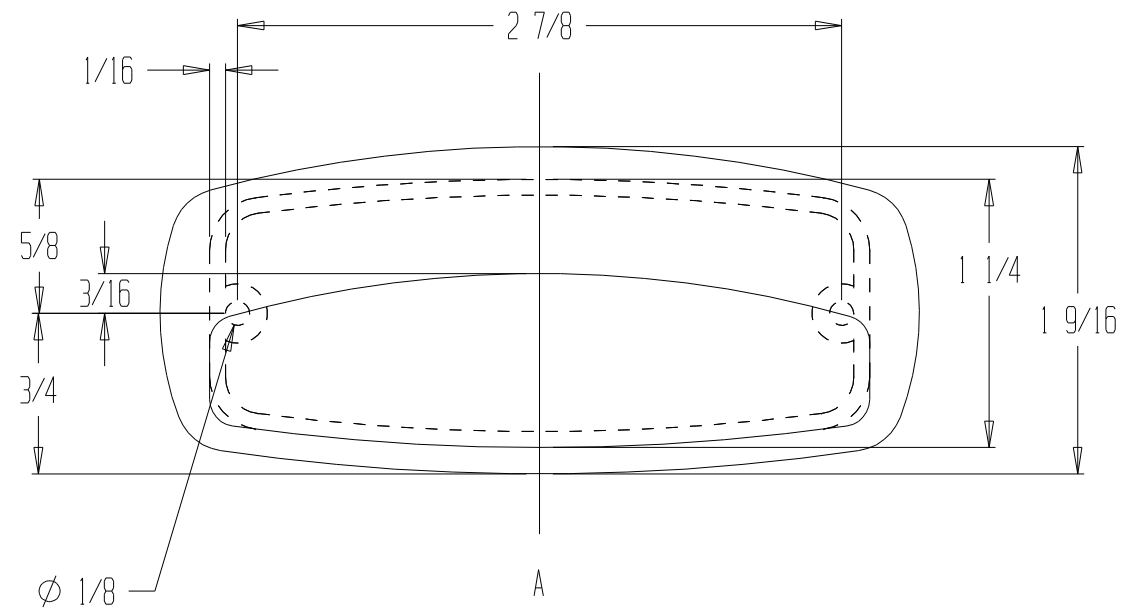


SECTION A



SYM	DESCRIPTION		DATE
	BAINBRIDGE MANUFACTURING INC.		
SCALE	1:1	APPROVED BY	DRAWN BY
DATE	12/14/95		S.L. MURREL
PART DESCRIPTION FLUSH DRAWER PULL			
PART NUMBER 1710		CUSTOMER DRAWING	

TOLERANCES VARY
AND ARE NOT
CRITICAL

MATERIAL
ABS