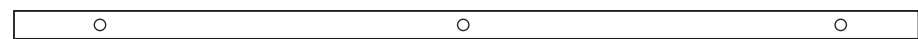
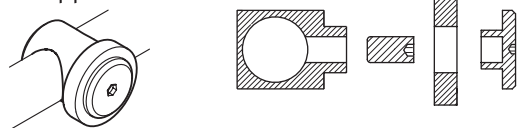


1 Set sliding door fittings Antra I

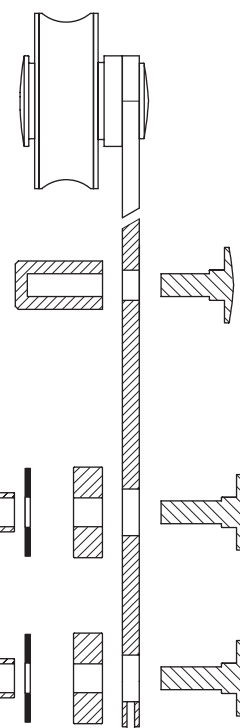
2 Guide rail



3 Door stoppers

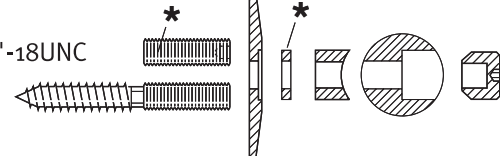


4 Trolley complete



5 Wall fixtures

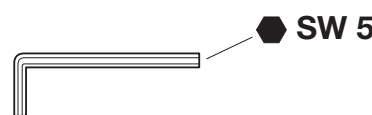
5/16"-18UNC



(without screws and dowels, at construction site)

* not included in scope of delivery.

6 Special tool



7 Bottom guide



(without dowels and screws, at construction site)

Set Antra I Art. No.	Set / Each						
	1	2	3	4	5	6	7
USU46-1800DB	1	2	2	3	1	1	
USU46-2100DB	1	2	2	4	1	1	
USU46-2300DB	1	2	2	4	1	1	
USU46-2540DB	1	2	2	4	1	1	

⚠ Comply with all general safety regulations when installing the sliding door fittings!

Installation to be completed by qualified licensed contractor.





















Be sure to tighten all screw connections one week after starting to use the sliding door fittings!

Never use scouring agents to clean the sliding door fittings; rather use commercially available stainless-steel cleaners!

Beyerle US L.L.C., ABP-Beyerle, its subsidiaries and agents are not responsible or liable for damage or injury to any persons or property due to improper installation of its products. All liabilities reside solely with the installer.

ABP  **beyerle**

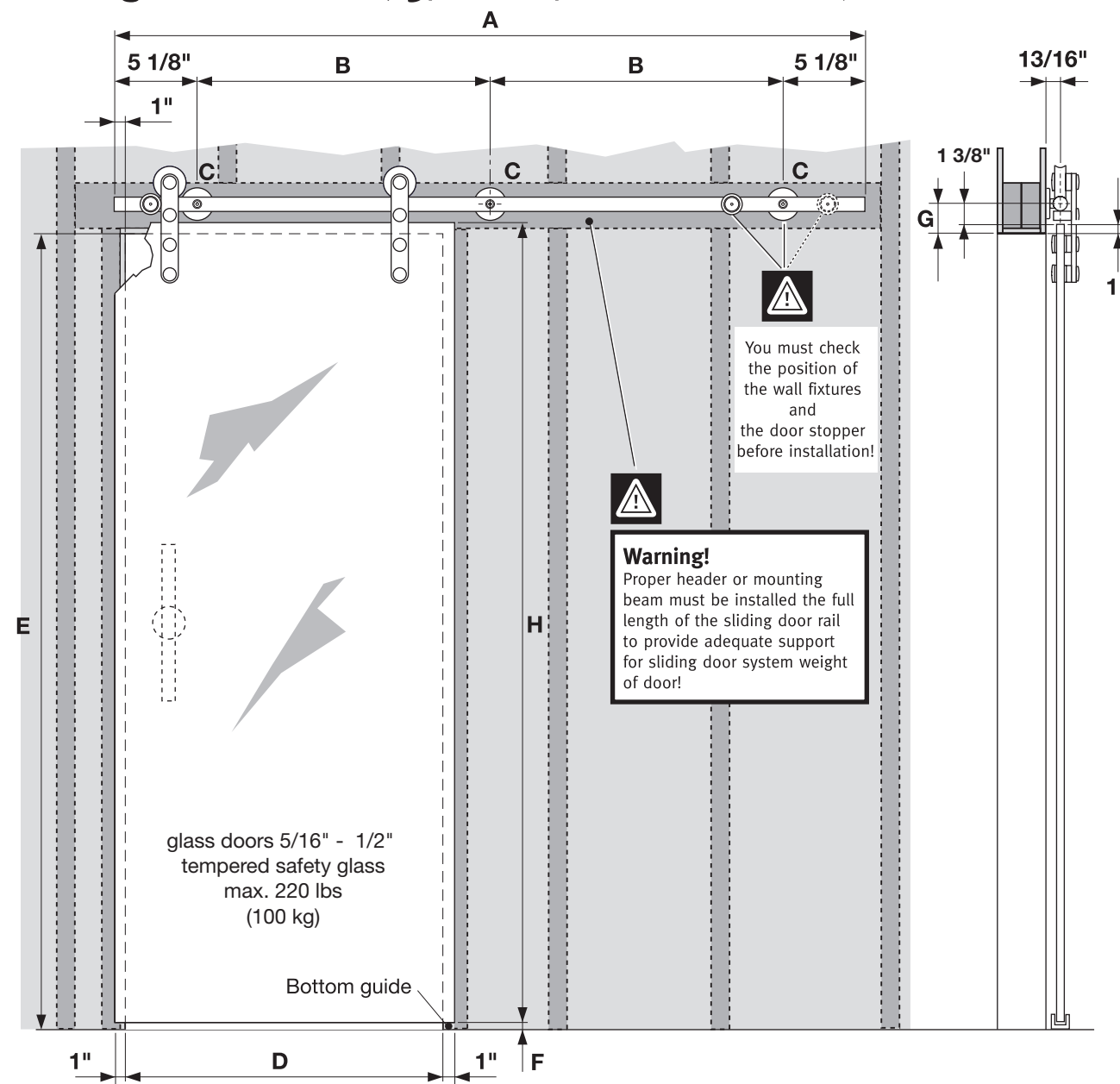
Beyerle US L.L.C.
1294 Logan Circle NW, Atlanta, GA 30318
Phone (404) 350-9738, Fax (404) 355-0166, www.beyerle-us.com

-  Attention
-  Screw on
-  Screw on
-  Screw on
-  Loosen / Tighten
-  Install
-  At right angle
-  Drill
-  Dowels
-  Adjust Set
-  Level
-  Perpendicular
-  Measure Mark
-  Visual inspection
-  Special-tool
-  2 people required
-  Measure
-  Clarify questions
-  See instructions
-  Secure

Installation instructions

Sliding door fittings Antra I

for glass doors (5/16" - 1/2" thickness)



Complete-sets

Set Antra I Art. No.	A inch	B inch	C Each	D inch	E max. inch	F inch	G inch	H max. inch (H = E - F + 1")
USU46-1800DB	70 7/8"	30 5/16"	3	29 1/2" - 35 7/16"	98 7/16"	1/4" - 3/8"	2 3/8"	99 1/8"
USU46-2100DB	82 11/16"	24 1/8"	4	35 13/16" - 39 3/8"	98 7/16"	1/4" - 3/8"	2 3/8"	99 1/8"
USU46-2300DB	90 9/16"	26 3/4"	4	39 3/4" - 44 1/16"	98 7/16"	1/4" - 3/8"	2 3/8"	99 1/8"
USU46-2540DB	100"	29 15/16"	4	44 1/2" - 49 3/16"	98 7/16"	1/4" - 3/8"	2 3/8"	99 1/8"

Right to make technical changes reserved - Dimensions in inches - Version 02.2012
© by ABP-Beyerle GmbH

ABP  **beyerle**

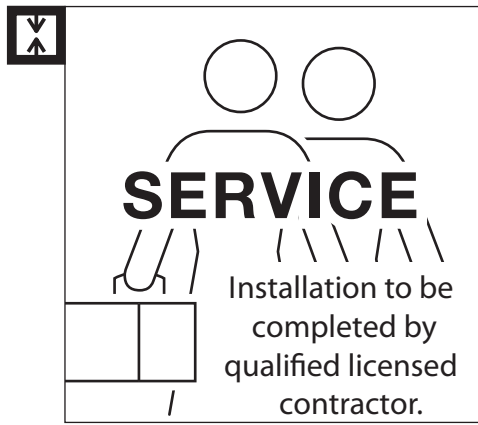


Fig. 1

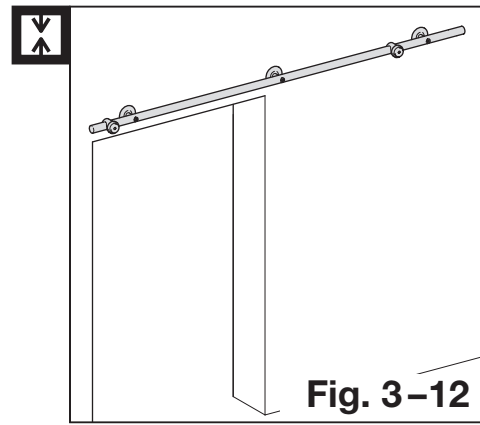


Fig. 3-12

Fig. 2

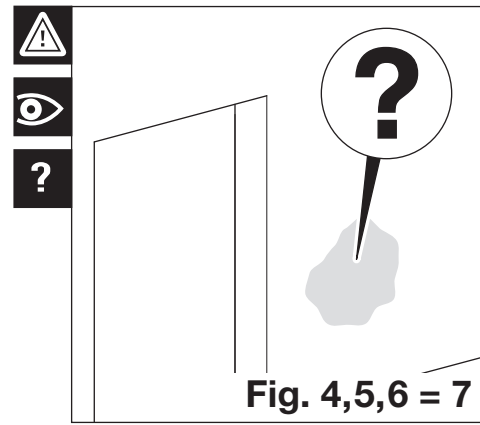


Fig. 4,5,6 = 7

Fig. 3

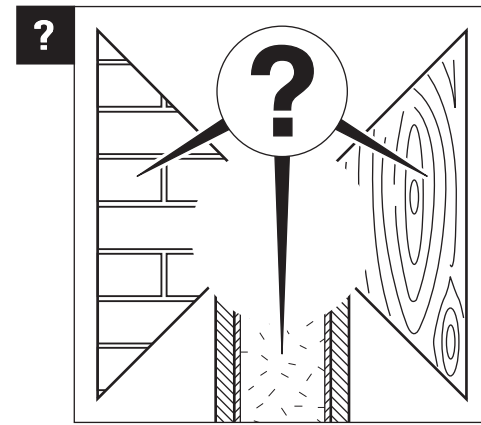


Fig. 4

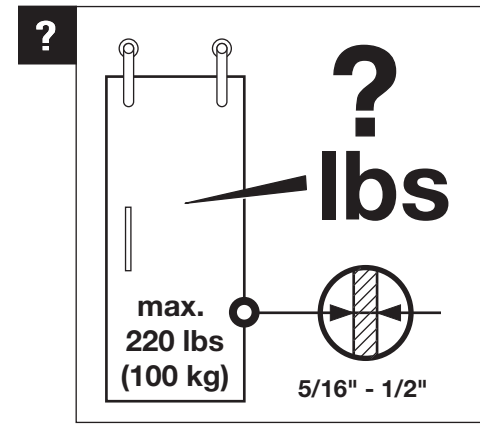


Fig. 5

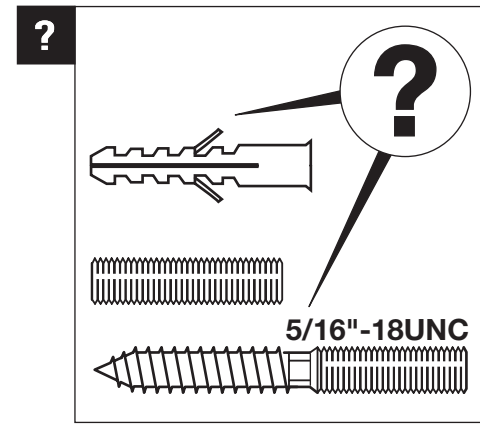


Fig. 6

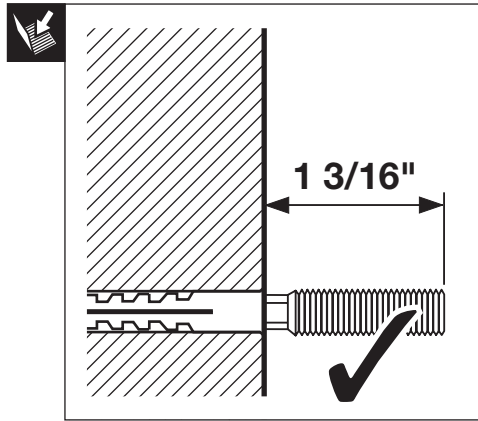


Fig. 7

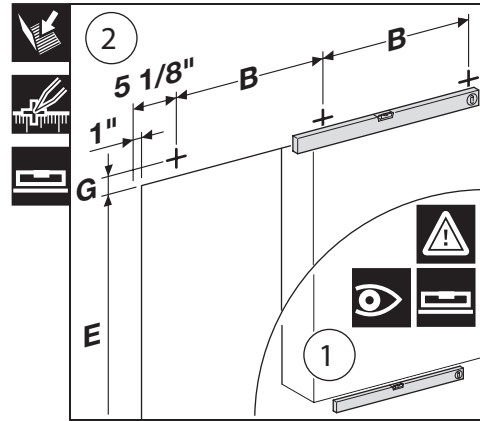


Fig. 8

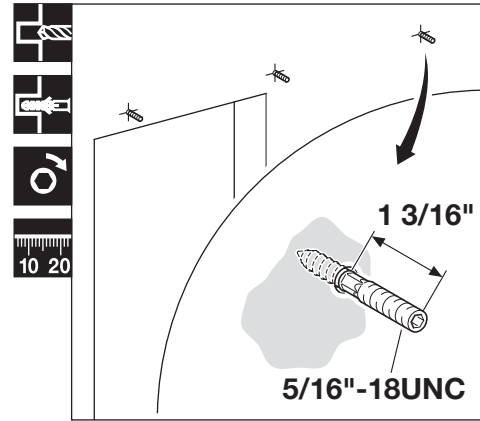


Fig. 9

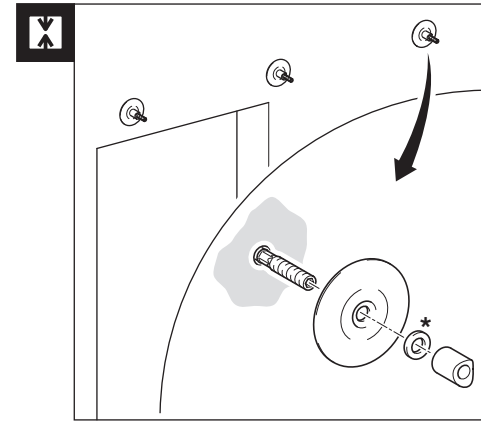


Fig. 10

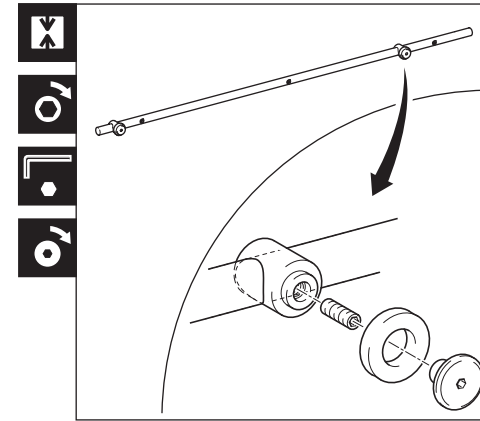


Fig. 11

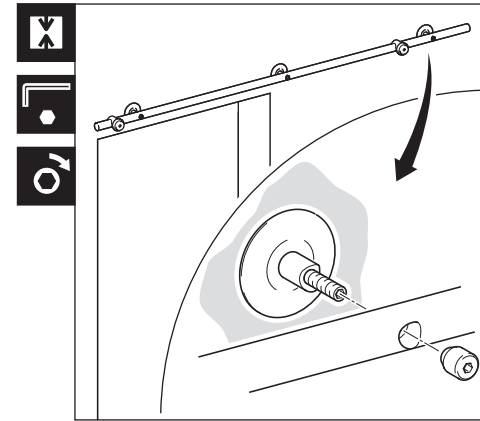


Fig. 12

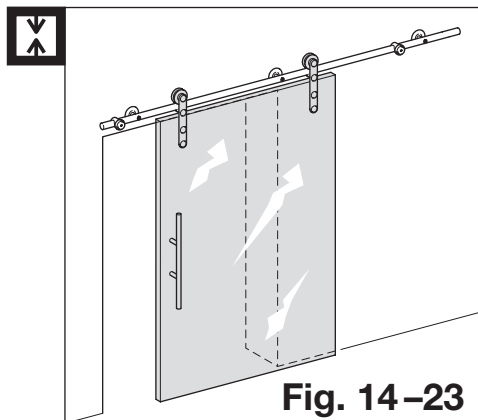


Fig. 13

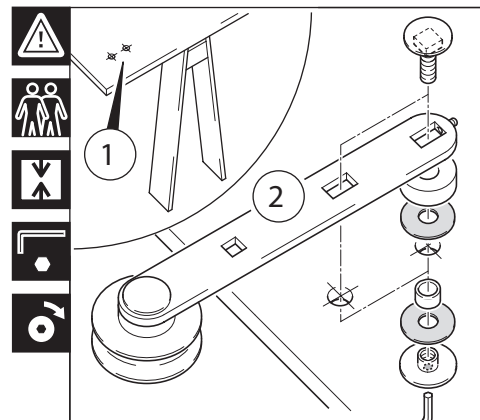


Fig. 14

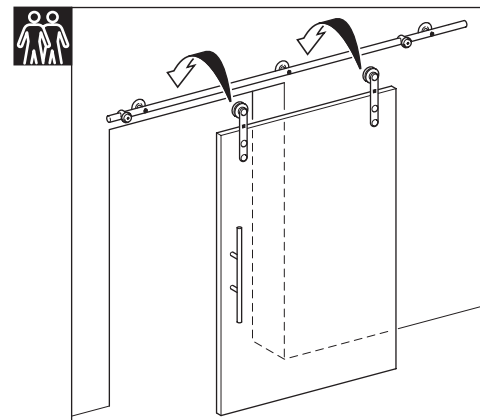


Fig. 15

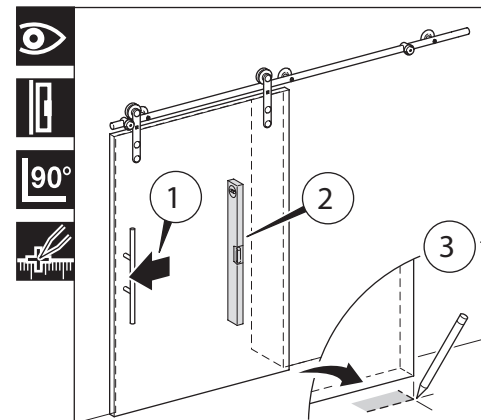


Fig. 16

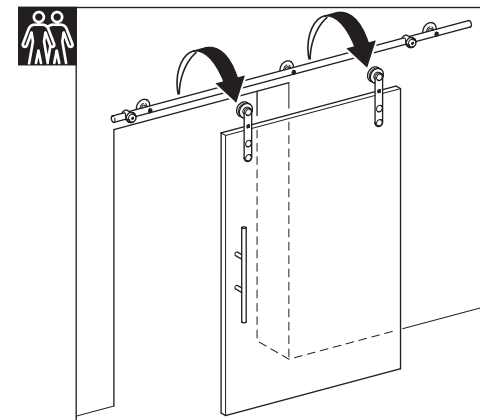


Abb. 17

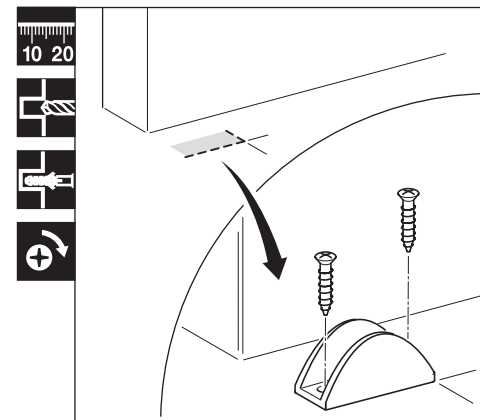


Fig. 18

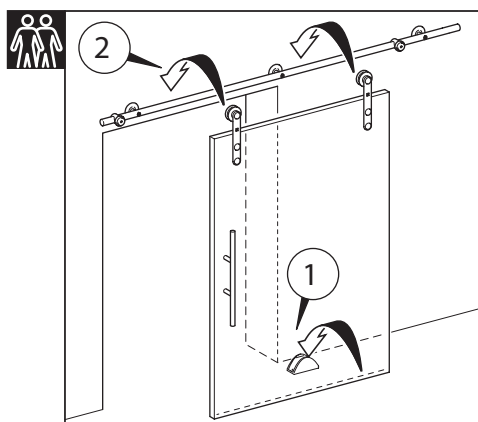


Fig. 19

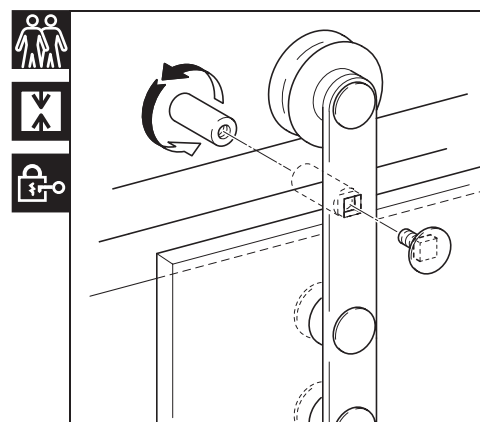


Fig. 20

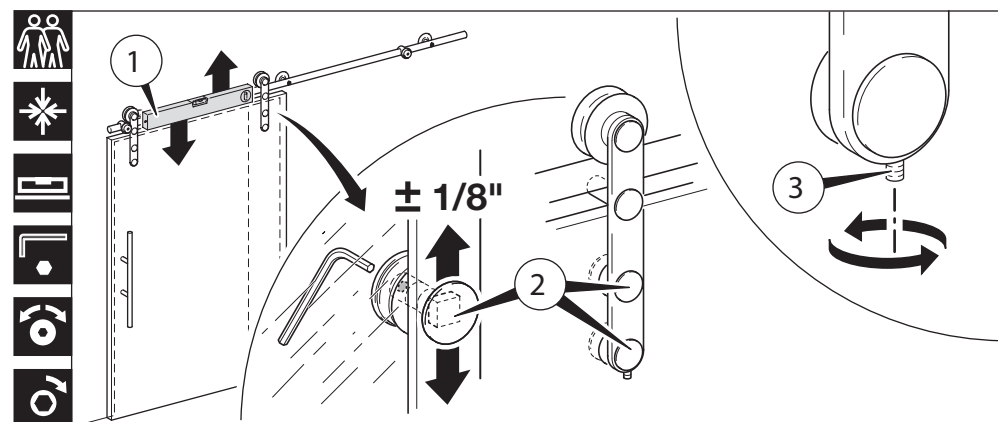


Fig. 21

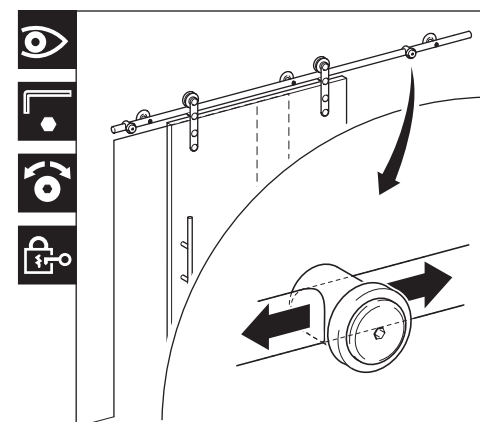


Fig. 22

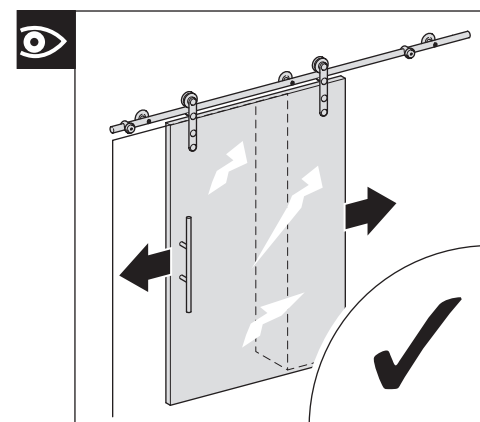
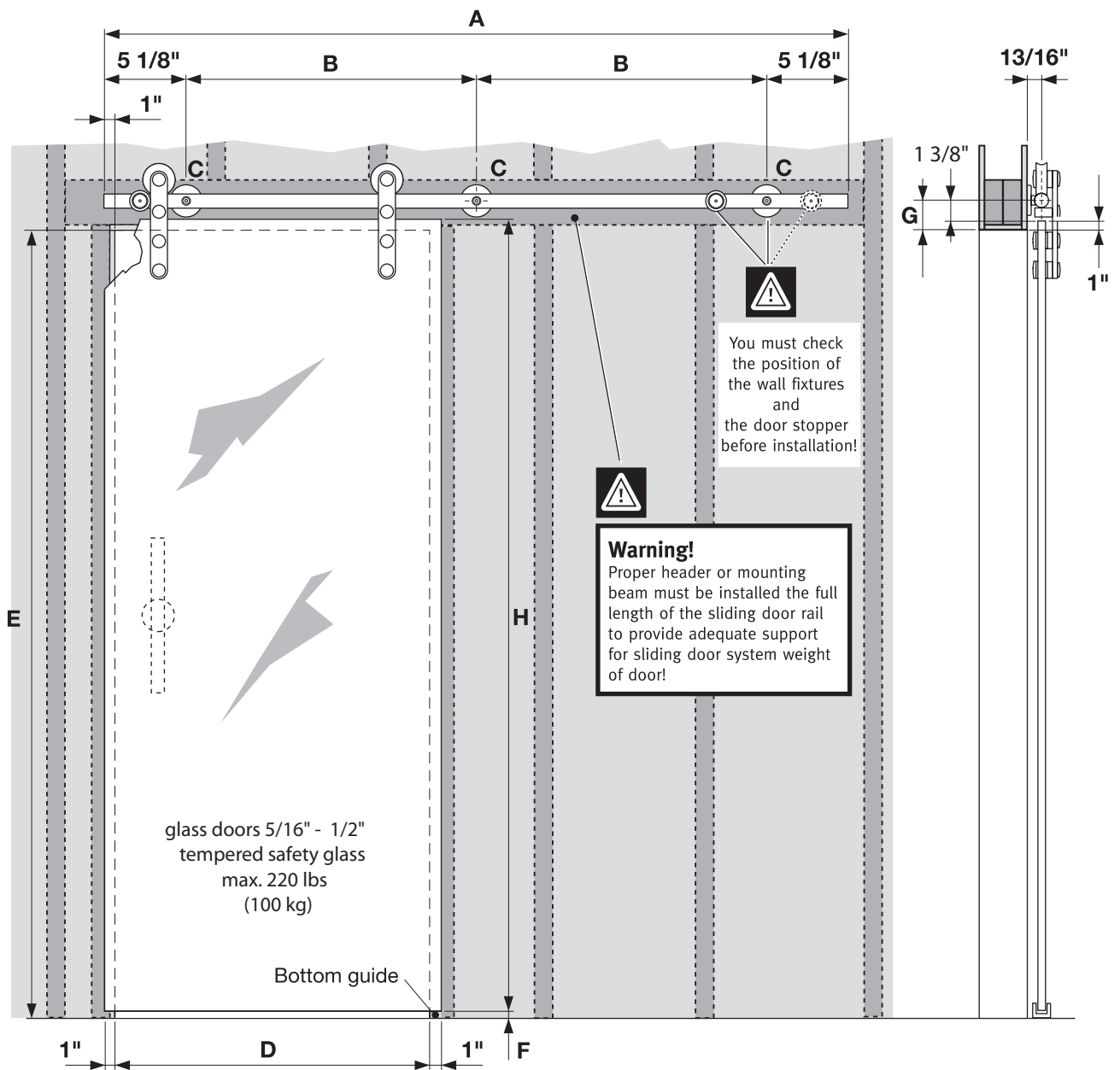


Fig. 23

Planning guide

Sliding door fittings Antra I

for glass doors (5/16" - 1/2" thickness)



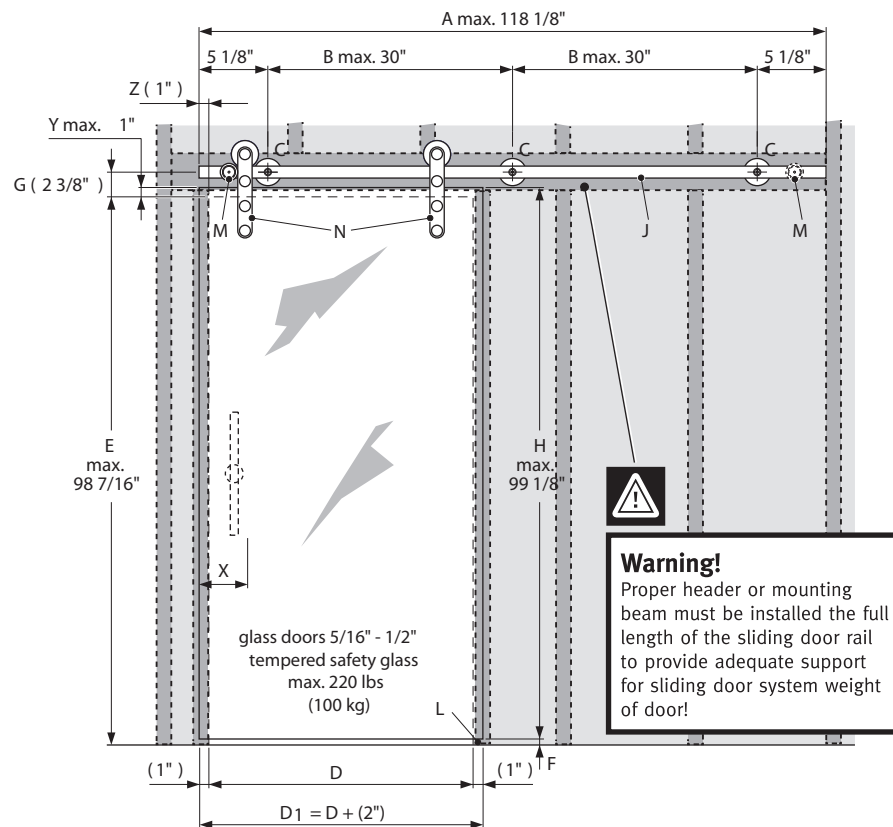
Complete-sets

Set Antra I Art. No.	A inch	B inch	C Each	D inch	E max. inch	F inch	G inch	H max. inch (H = E - F + 1")
USU46-1800DB	70 7/8"	30 5/16"	3	29 1/2" - 35 7/16"	98 7/16"	1/4" - 3/8"	2 3/8"	99 1/8"
USU46-2100DB	82 11/16"	24 1/8"	4	35 13/16" - 39 3/8"	98 7/16"	1/4" - 3/8"	2 3/8"	99 1/8"
USU46-2300DB	90 9/16"	26 3/4"	4	39 3/4" - 44 1/16"	98 7/16"	1/4" - 3/8"	2 3/8"	99 1/8"
USU46-2540DB	100"	29 15/16"	4	44 1/2" - 49 3/16"	98 7/16"	1/4" - 3/8"	2 3/8"	99 1/8"

Sliding door fittings Antra I

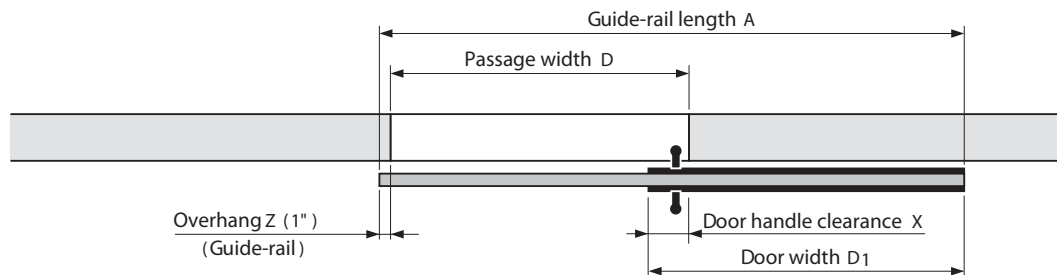
for glass doors (5/16" - 1/2" thickness) - 1 glass door

inches		Each	Manufacturing dimensions (special model)					kg	Each			
A	B	C	D	D1	E max. 98 7/16"	F 1/4" - 3/8"	G (2 3/8")	H max. 99 1/8" (H = E - F + Y)	Load-bearing capacity of the guide rail J	L	M	N
										1	2	2




- A = Guide-rail length
- B = Drill hole clearance
- C = Wall fixture
- D = Passage width
- D1 = Door width
- E = Passage height
- F = Door - floor clearance
- G = Fastening clearance
- H = Door height
- J = Load-bearing capacity of the guide rail
- L = Bottom guide
- M = Door stopper
- N = Trolley
- X = Door knob clearance
- Y = Door height overhang
- Z = Guide-rail overhang
- () = recommended!

Calculation for guide-rail length A for 1 door



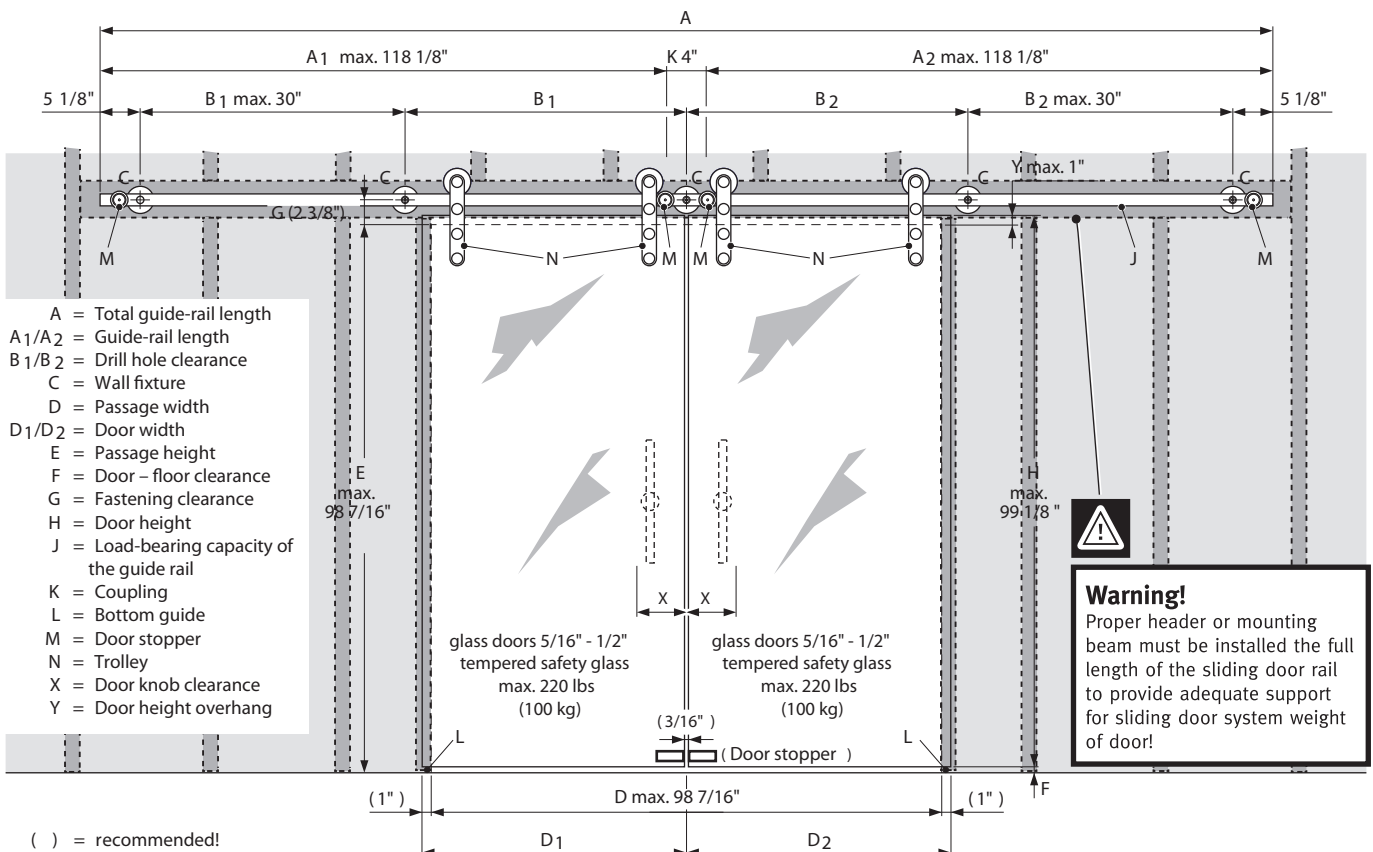
$$\text{Overhang Z} + \text{Passage width D} + \text{Door width D1} - \text{Door handle clearance X} = \text{Guide-rail length A}$$

 Make door handle clearance so that fingers do not get pinched when the door is manipulated! See page 5.

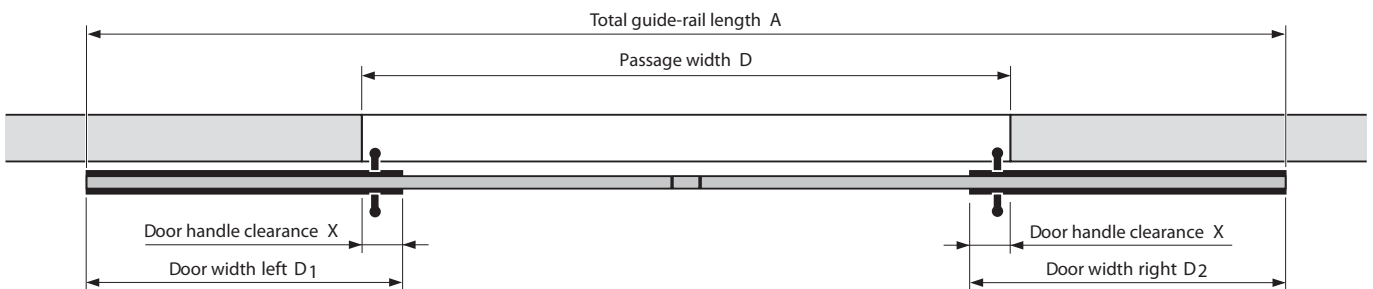
Sliding door fittings Antra I

for glass doors (5/16" - 1/2" thickness) - 2 glass doors

Manufacturing dimensions (special model)															
inches		Each		inches							kg		Each		
A	B1	B2	C	D	D1	D2	E max. 98 7/16"	F 1/4" - 3/8"	G	H max. 99 1/8" (H = E - F + Y)	Load-bearing capacity of the guide rail J	K	L	M	N
									(2 3/8")			1	2	4	4



Calculation for total guide-rail length A for 2 doors



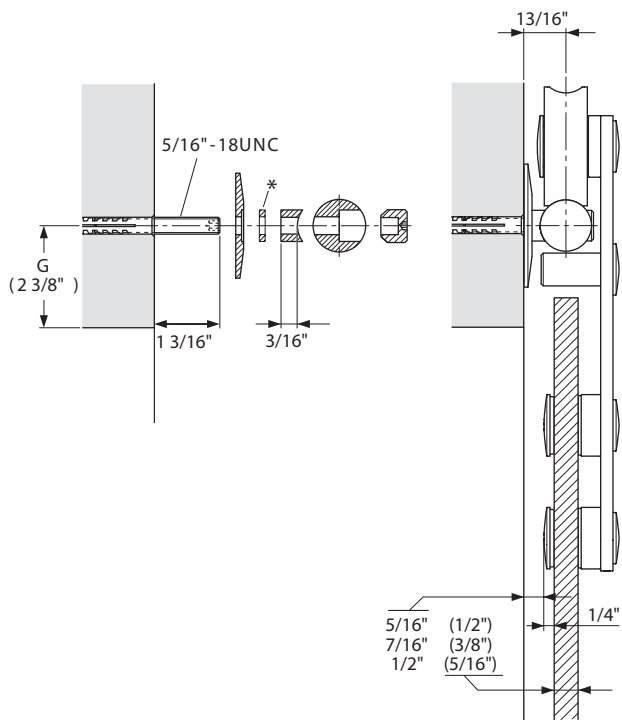
Door width D1 - Door handle clearance X + Passage width D + Door width D2 - Door handle clearance X = Total guide-rail length A

Make door handle clearance so that fingers do not get pinched when the door is manipulated! See page 5.

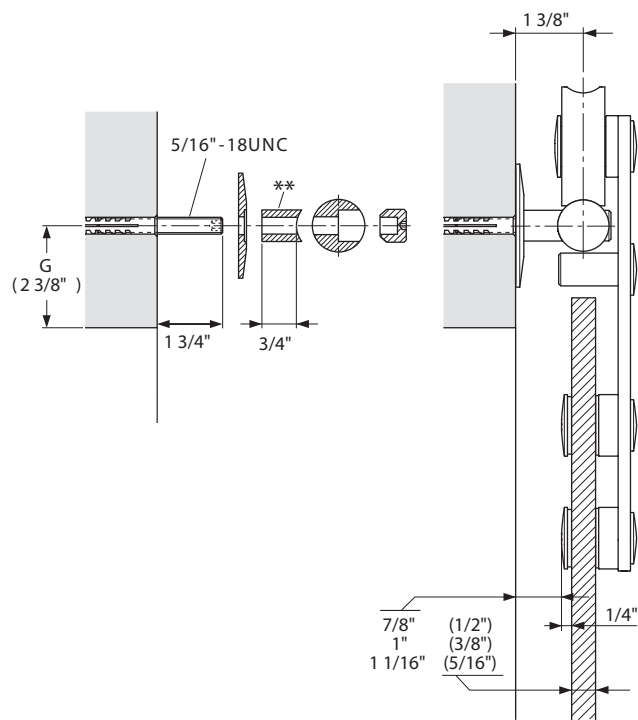
Sliding door fittings Antra I

for glass doors (5/16" - 1/2" thickness) – Wall fixture


Standard installation



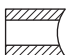
Installation with baseboards and trim



* Compensation disks 1/16", 3/16" and 3/8"
To compensate for wall unevenness,
order separately.
(Only 1 piece per wall fixture!)

	Art.-No.	inches
	USO216-2DB	1/16"
	USO216-5DB	3/16"
	USO216-10DB	3/8"

** Spacers order separately.

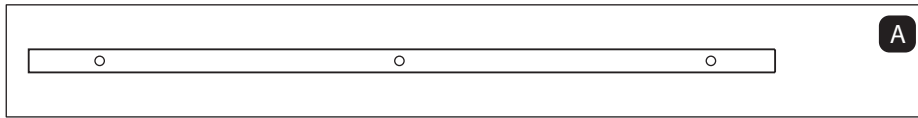
	Art.-No.	inches
	USO226-19DB	3/4"

Sliding door fittings Antra I

for glass doors (5/16" - 1/2" thickness)

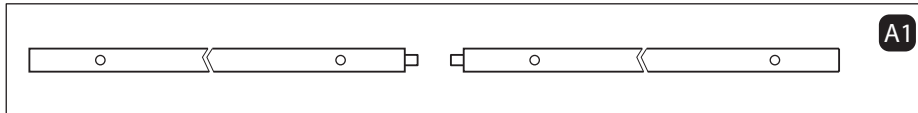
Required system parts

Please refer to the catalogue for article no's and models!



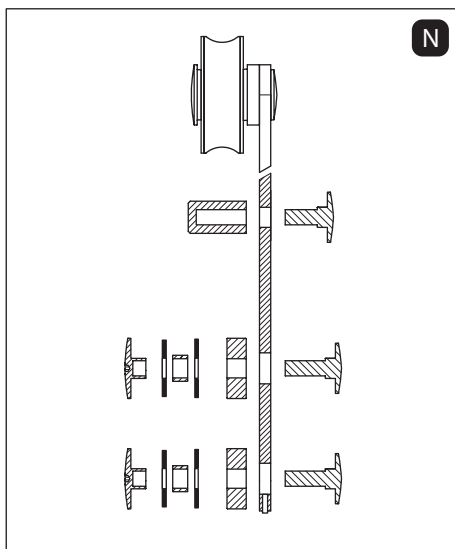
A

Guide rail Ø 1" inch



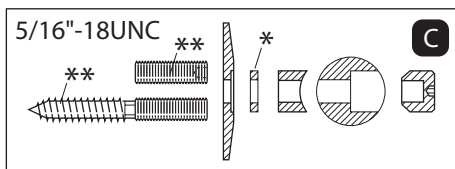
A1

Guide rail Ø 1" inch
for guide rail couplings



N

Trolley complete
including glass protection set

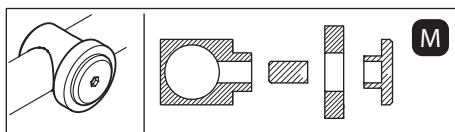


5/16"-18UNC

C

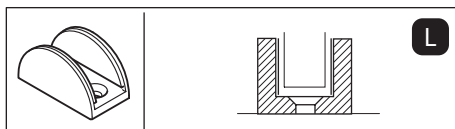
Wall fixtures complete

** Without screws and dowels, at construction site
* Compensation disks * 1/16", 3/16" and 3/8" order separately



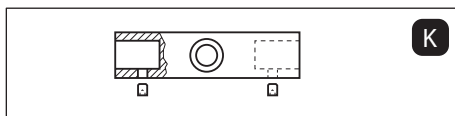
M

Door stoppers complete, stainless steel



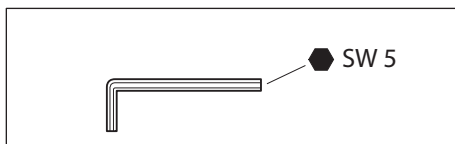
L

Bottom guide, stainless steel, for glass door 5/16" - 1/2"
(Without screws and dowels, at construction site)



K

Guide rail coupling Ø 1" inch



Special tool