



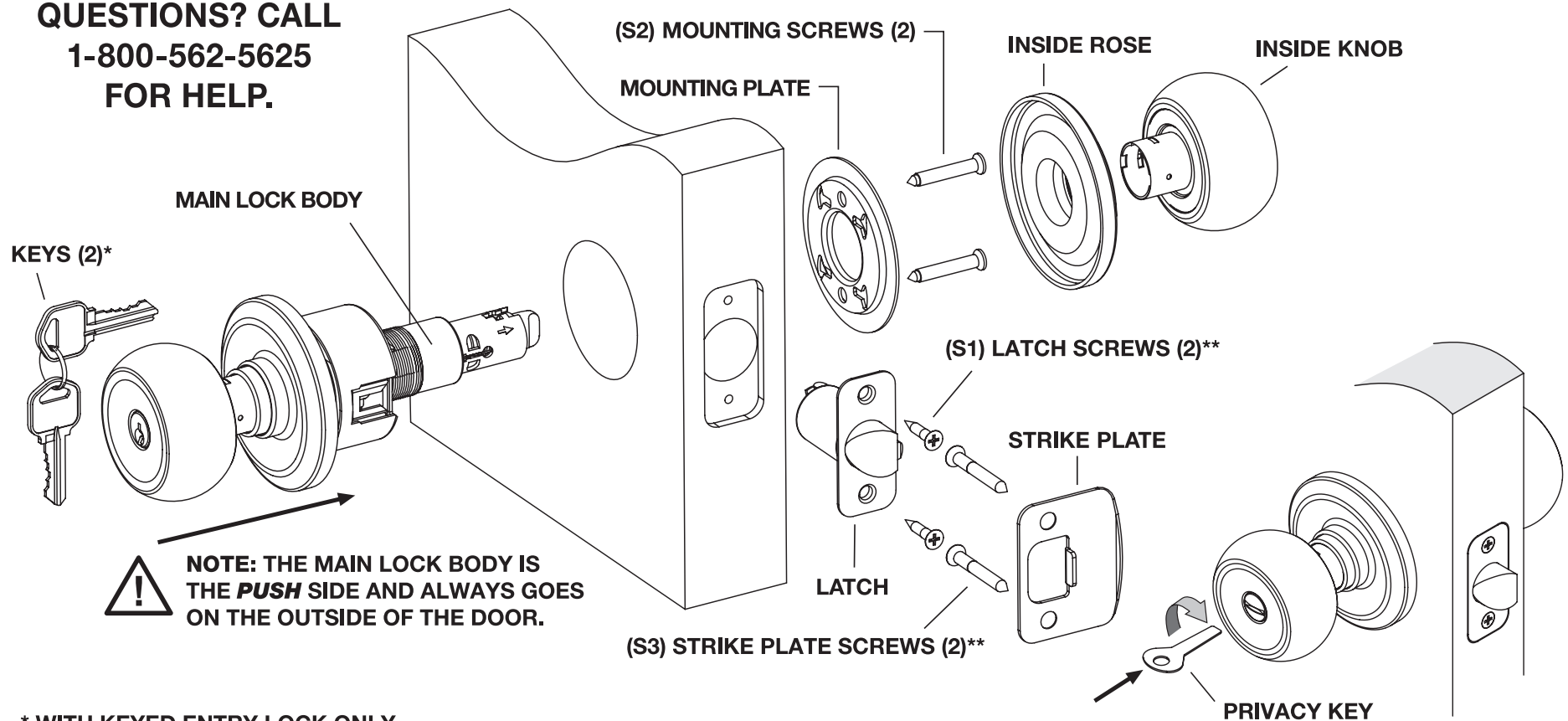
# INSTALLATION & OPERATION INSTRUCTIONS FOR PUSH PULL ROTATE KNOB LOCKSETS

999-00325E\_EN

FOR KEYED ENTRY AND INTERIOR LOCKING PUSH PULL ROTATE KNOB LOCKSETS.

FITS DOORS 1-3/8" (35 mm) TO 1-3/4" (45 mm) THICK • WORKS ONLY FOR IN-SWINGING DOORS. SEE STEP 2.

QUESTIONS? CALL  
1-800-562-5625  
FOR HELP.



\* WITH KEYED ENTRY LOCK ONLY

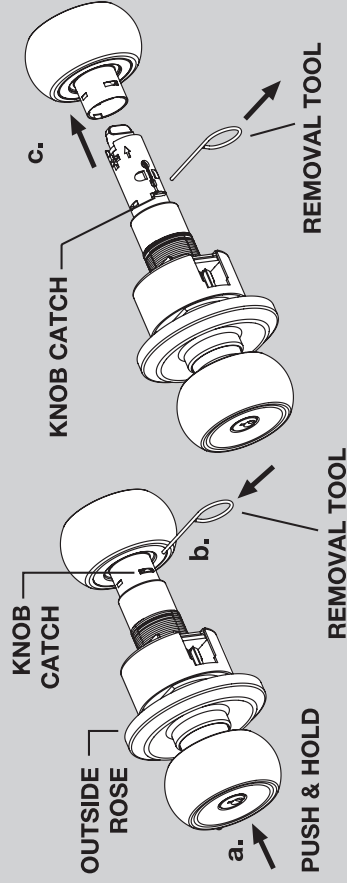
\*\* INTERIOR LOCKING & INTERIOR NON-LOCKING LOCKSETS ARE PROVIDED WITH FOUR (S1) LATCH SCREWS, WHICH ARE USED FOR BOTH LATCH AND STRIKE INSTALLATION.

INTERIOR LOCKING LOCKSETS ARE PROVIDED WITH A PRIVACY KEY FOR LOCKING & UNLOCKING ALTHOUGH A FLATHEAD SCREWDRIVER WILL ALSO WORK.

FOR NEW INSTALLATIONS, SEE INSTRUCTION 999-00321E\_EN. FOR REPLACEMENT INSTALLATIONS, PROCEED TO STEP 1.

**INSIDE KNOB REMOVAL: IF YOU PUT THE INSIDE KNOB ON THE CHASSIS BEFORE INSTALLING ON YOUR DOOR, FOLLOW THESE STEPS:**

- While holding the Outside Rose, Push the Outside Knob to expose the Knob Catch on the inside knob Spindle.
- Push the Removal Tool against the Knob Catch to depress it.
- Slide the knob off the Spindle.

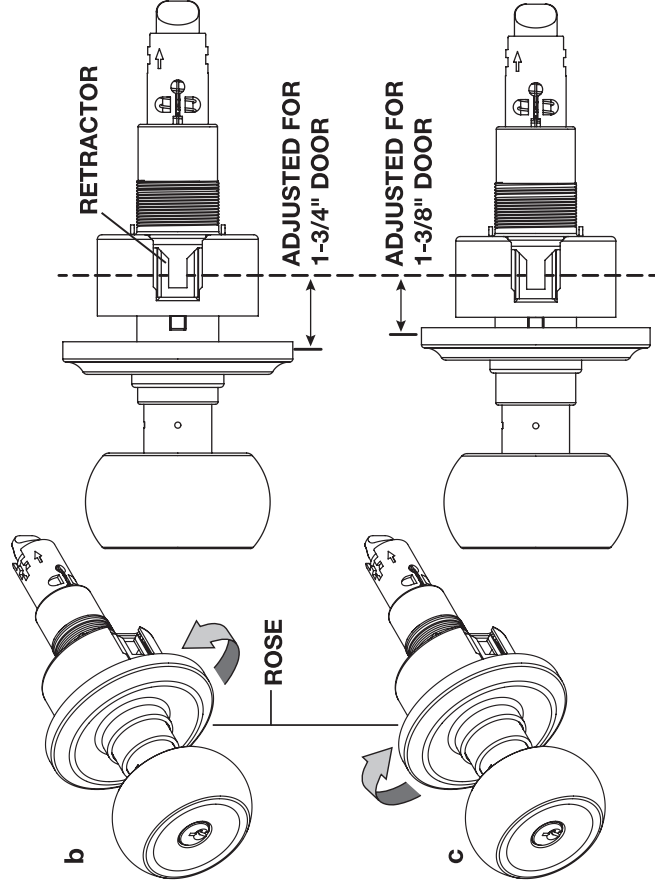


**FOR NEW INSTALLATIONS, SEE INSTRUCTION 999-00321E\_EN. FOR REPLACEMENT INSTALLATIONS, PROCEED TO STEP 1.**

**⚠ IMPORTANT!**

**STEP 1 Adjust For Door Thickness**

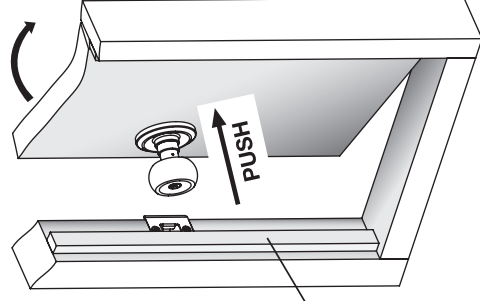
- Measure your door thickness. It should be 1-3/8" (35mm) or 1-3/4" (45mm). If in between these numbers, round to the nearest of those two thicknesses.
- For 1-3/4" doors, rotate the Outside Rose counterclockwise (towards the knob) until it stops. Then rotate back about a quarter turn.
- For 1-3/8" doors, rotate the Outside Rose clockwise (away from the knob) until it stops. Then rotate back about a quarter turn.
- The purpose of this is to make sure that the Latch Tail will be approximately centered in the Retractor when installed.



**⚠ NOTE: INSTALL ON IN-SWINGING DOOR ONLY.**

**STEP 2 Install on In-Swinging Doors Only**

- For Push-Pull-Rotate Knobs, the Push side always goes on the outside of the door, and always contains the locking element.
- For this reason, your lock can only be installed on doors that "push" open into rooms (In-Swinging doors.)
- If the Knob is reversed to operate on an Out-Swinging door, the locking element will be on the wrong side of the door. Do not install on an Out-Swinging door.

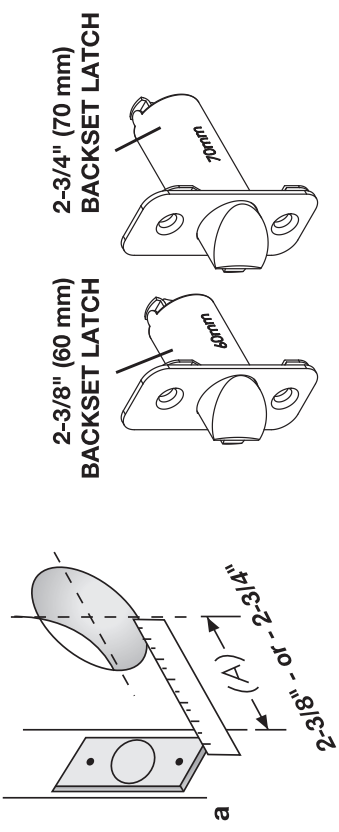


**⚠ NOTE: INSTALL ON IN-SWINGING DOOR ONLY.**

**VIEW FROM OUTSIDE THE ROOM**

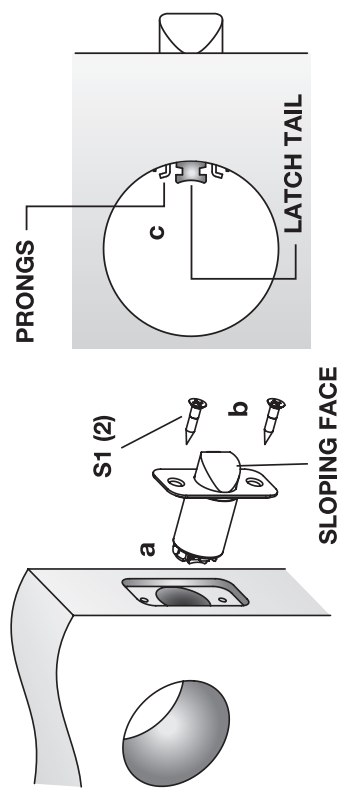
### STEP 3 Select Appropriate Latch

- Backset is the distance from the door edge to the center of the 2-1/8" (54mm) hole on the door face.
- Select the 2-3/8" (60mm) or 2-3/4" (70mm) latch based on the backset of your door. (Most residential doors have a 2-3/8" backset.)



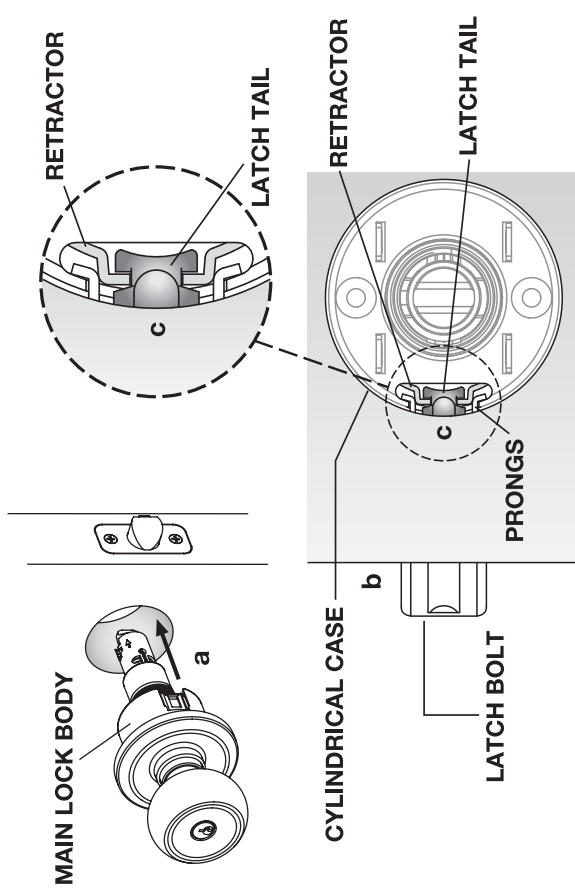
### STEP 4 Install Latch

- Insert the latch into the 1" (25.4 mm) hole in the door edge as shown. Be sure the sloping face of the latch bolt is facing towards the door jamb.
- Insert two (S1) Latch Screws in the faceplate holes and tighten.
- After installation, you should be able to see the Latch Prongs and Latch Tail(s) through the 2-1/8" bore in the door as shown. If not, review Step 3. Select Appropriate Latch.



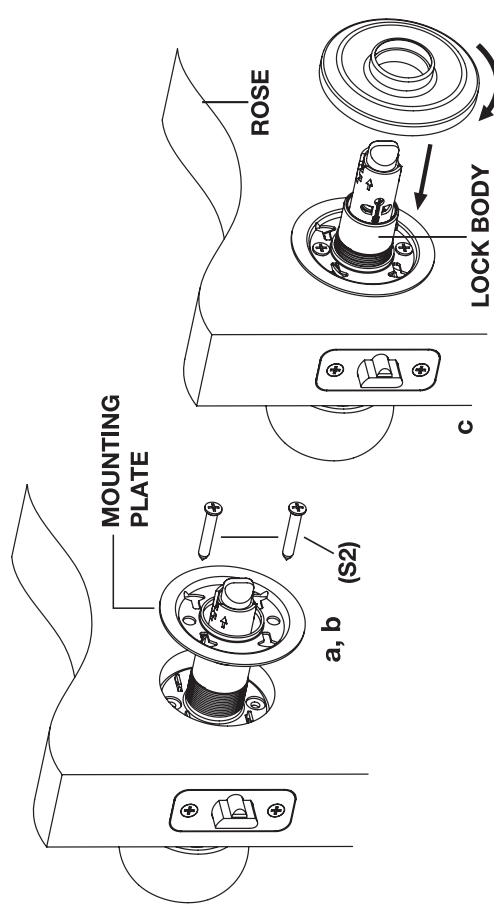
### STEP 5 Install the Main Lock Body

- Insert the Main Lock Body through the 2-1/8" (54mm) hole in the door.
- Look through the hole from the inside of the door to guide the Main Lock Body.
- Make sure that the Cylindrical Case engages with the Latch Prongs and the Retractor interlocks with the Latch Tail.
- Test by rotating the knob - the latch bolt should retract.



### STEP 6 Install the Mounting Plate & Rose

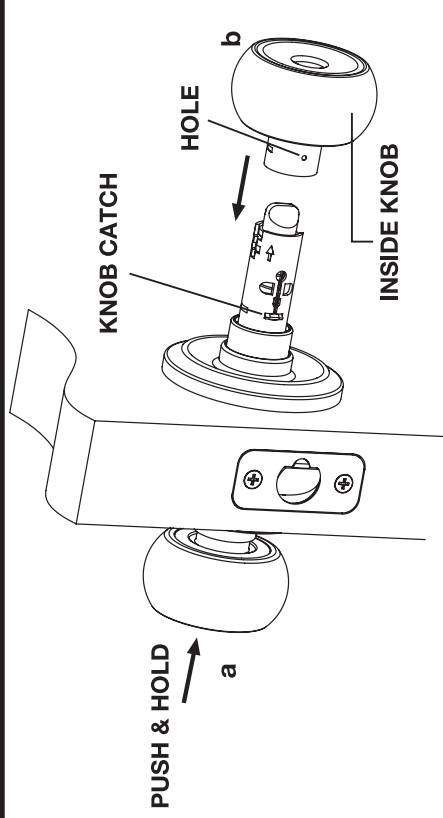
- Place the Mounting Plate over the Main Lock Body and against the Inside Door face with the mounting holes aligned vertically.
- Insert the two (S2) Mounting screws and engage the threaded holes in the Main Lock Body. Tighten firmly.
- Install the Inside Rose by engaging the thread on the Main Lock Body and rotating clockwise until it contacts the Inside Door face.



## STEP 7

### Install the Inside Knob

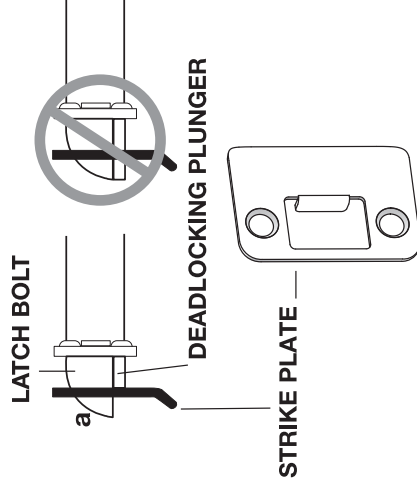
- Push and hold the Outside Knob to expose the Knob Catch.
- Align the hole in the Inside Knob with the Knob Catch on the spindle.
- Slide the knob on the spindle until it engages the Knob Catch and clicks into place. Pull on the Inside Knob to make sure it is secure.



## STEP 8

### Install Strike Plate

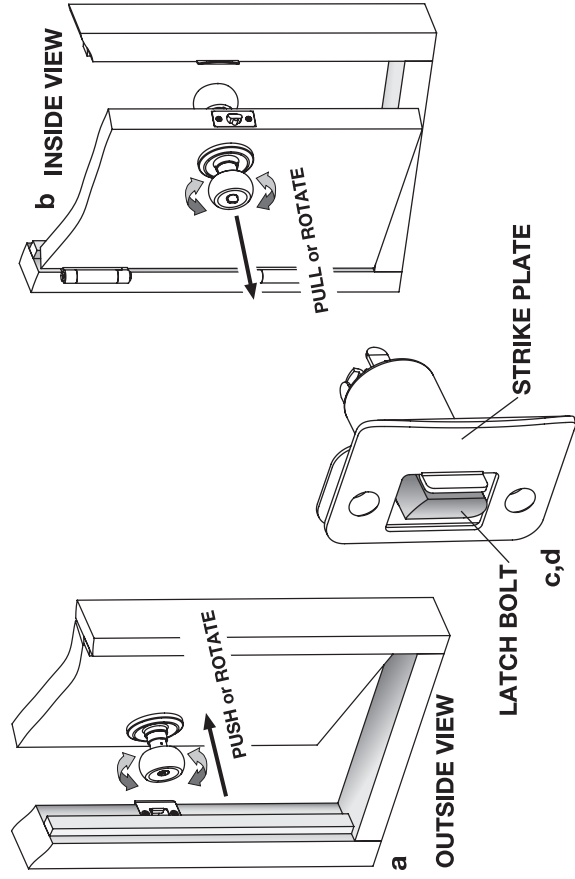
- For Keyed Entry Locks, secure the Strike Plate with two (S3) Strike Plate Screws. Tighten firmly. Make sure that the Deadlocking Plunger is depressed by the Strike Plate and does not enter the hole in the plate.
- For Interior Locking Locks, secure the Strike Plate with two (S1) Latch Screws. (The latches with these locksets do not have a deadlocking plunger.)
- It is important for Push-Pull-Rotate Locks for the Latch Bolt to move freely in and out of the Strike Plate.



## STEP 9

### Operation & Troubleshooting

- To open the door from the outside, Push the knob or rotate the Outside Knob in either direction.
- To exit the room, Pull the knob or rotate the Inside Knob in either direction.
- The Push and Pull functions work best when the latch bolt can move freely in and out of the Strike Plate.
- Weather stripping or a warped door can sometimes force the bolt against the Strike Plate. This will increase the force necessary to Push or Pull the knob. For best results, re-position the Strike Plate so there is no force against the bolt.



**LIMITED LIFETIME WARRANTY-** This product is warranted by Hampton Products International ("HP") with a limited lifetime mechanical and finish warranty to the original consumer user of this product against defects in material and workmanship under normal use and service as long as the original consumer user occupies the residential premises upon which this product was originally installed. This warranty does not apply to product used in commercial or common area applications; used for purposes for which it was not designed or intended; and which has been abused, misused, modified, or improperly installed, operated, maintained, and/or repaired. This warranty does not cover scratches, abrasions, or deterioration due to the use of paints, solvents, or other chemicals. HP IS NOT LIABLE FOR INCIDENTAL, INDIRECT, OR CONSEQUENTIAL DAMAGES. Some states do not allow the exclusion or limitation of incidental or consequential damages, so the above exclusion may not apply to you. This warranty provides you with specific legal rights and you may also have other rights that vary from state to state. To make a warranty claim, please contact Hampton Care at 1-800-562-5625 or visit our website at [www.hampton.care](http://www.hampton.care) for instructions on how to have the product replaced, exchanged for a similar product of equal value, or repaired.



**BRINKS**  
A TRUSTED NAME IN SECURITY SINCE 1859™

Brink's trademark & copyright  
works are used with permission.

999-00325E\_EN

**HAMPTON**  
50 Icon, Foothill Ranch, CA 92610-3000 USA  
email: [info@hamptonproducts.com](mailto:info@hamptonproducts.com)  
[www.brinksppr.com](http://www.brinksppr.com) • 1-800-562-5625  
©2018 Hampton Products International Corp.  
999-00325\_EN\_REVC 05/18