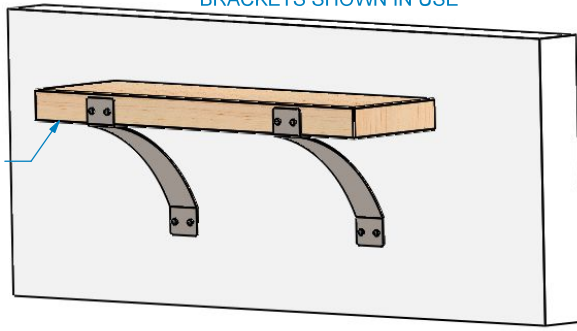


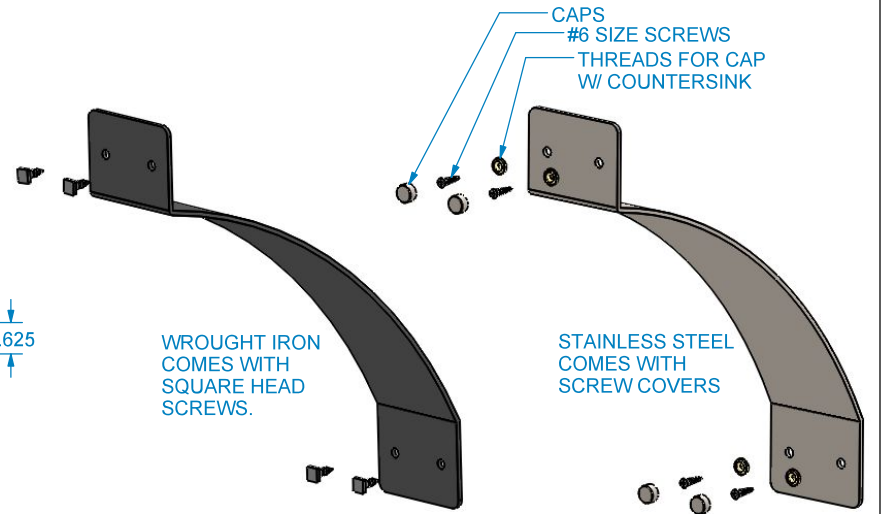
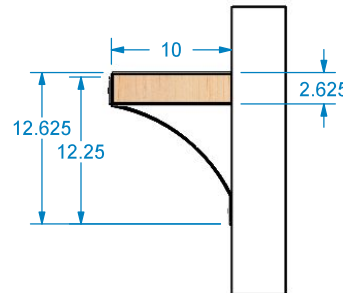
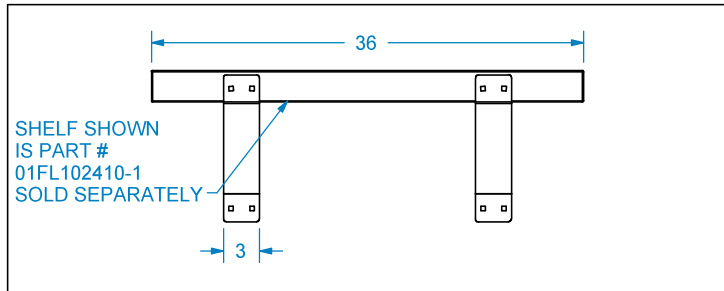
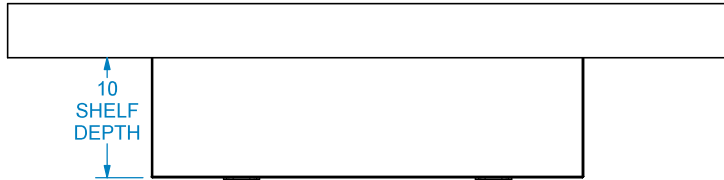
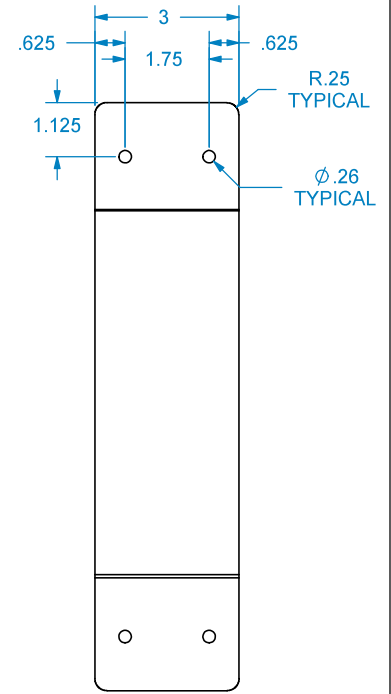
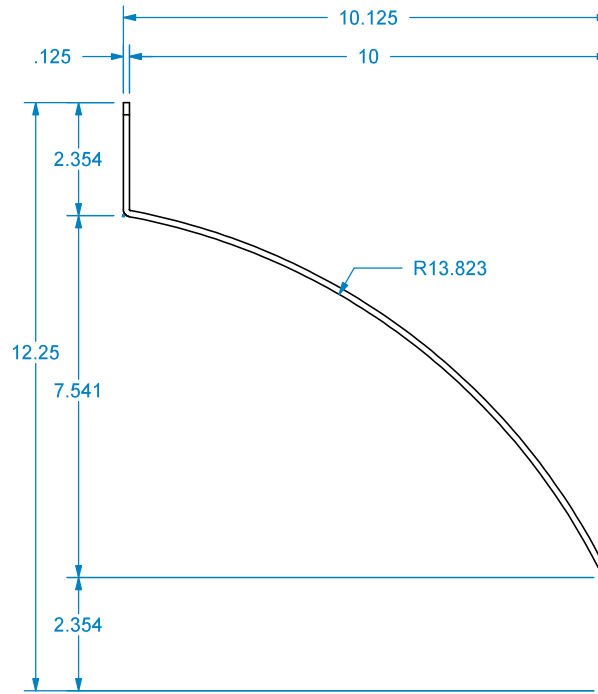
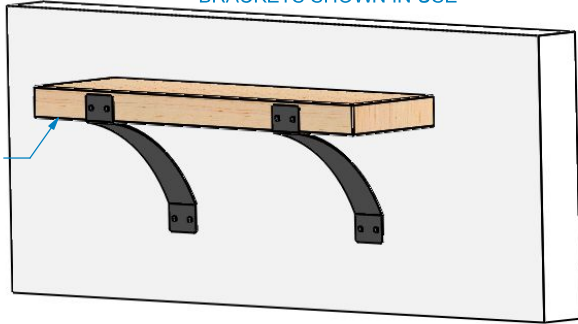
STAINLESS STEEL  
BRACKETS SHOWN IN USE

SHELF SHOWN  
IS PART #  
01FL102410-1  
SOLD SEPARATELY



WROUGHT IRON  
BRACKETS SHOWN IN USE

SHELF SHOWN  
IS PART #  
01FL102410-1  
SOLD SEPARATELY



WROUGHT IRON  
COMES WITH  
SQUARE HEAD  
SCREWS.

STAINLESS STEEL  
COMES WITH  
SCREW COVERS

*Designs of*  
**distinction**  
by Brown Wood, Inc.  
est. 1927

REVISION HISTORY		
REV	REV DATE	DESCRIPTION

TOLERANCES	
WIDTH	± .03125"
THICKNESS	± .03125"
LENGTH	± .0625"
ANGULAR	± x.x°
PROFILE	± x.xxx"
Use General Tolerances Unless Noted	

METAL FINISHES AVAILABLE	
(WR) WROUGHT IRON	(SS) STAINLESS STEEL
NOTES: ADDITIONAL SPECIES AVAILABLE	
Do not scale. Use dimensions only. All dimensions are in inches unless noted	

TITLE: 10" LEXINGTON SHELF STRAP	
NOMINAL SIZE 3" X 10.125" X 12.25"	
DWG #: <b>01651090-1</b>	REV:
DATE: 11/10/2017	SCALE: 1:16