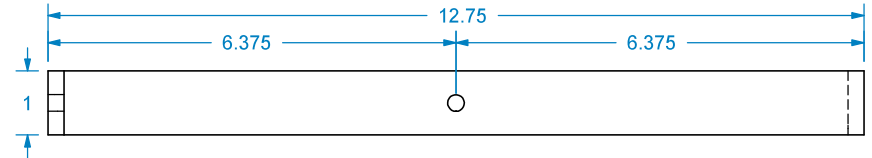
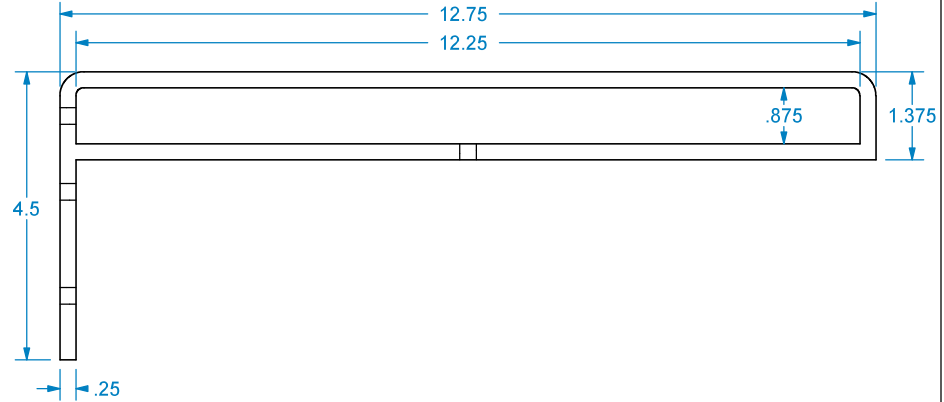
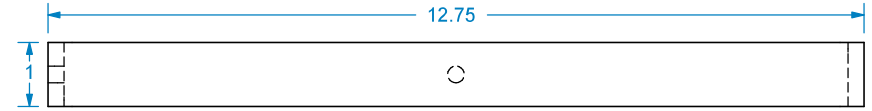
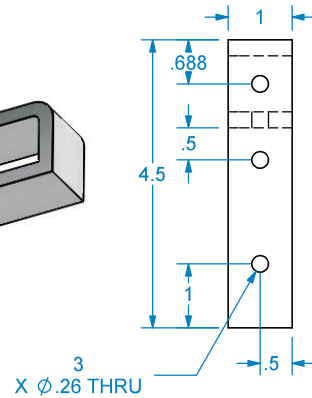




STAINLESS STEEL VERSION IS ALSO AVAILABLE SEE DRAWING 01651250SS1 (ALL HOLES ARE COUNTERSUNK ON THE STAINLESS STEEL VERSION)



Designs of distinction
by Brown Wood, Inc.
est. 1927

REVISION HISTORY			TOLERANCES		AVAILABLE FINISHES
REV	REV DATE	DESCRIPTION	WIDTH	± .03125"	(RS) RAW STEEL WITH CLEAR COAT
			THICKNESS	± .03125"	(SS) STAINLESS STEEL (SEE DRAWING 01651250SS1)
			LENGTH	± .0625"	(WR) WROUGHT IRON
			ANGULAR	± x.x°	NOTES:
			PROFILE	± x.xxx"	
			Use General Tolerances Unless Noted		Do not scale. Use dimensions only. All dimensions are in inches unless noted

TITLE: 12" TRUSS STRAP	
NOMINAL SIZE 1" X 12.75" X 4.5"	
DWG #: 01651250-1	REV:
DATE: 12/9/2016	SCALE: 1:3