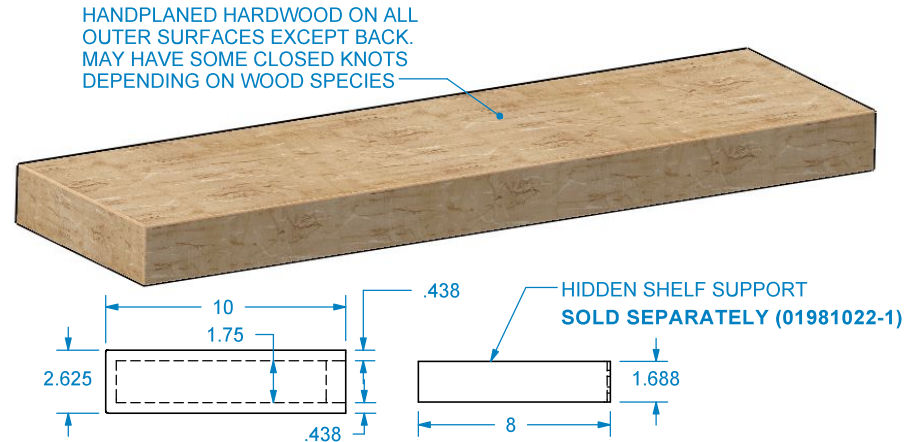


UNFINISHED SHELVES	
PART #	DESCRIPTION
01FL103610AL1	10" x 36" INDUSTRIAL FLOATING SHELF ALDER
01FL103610CH1	10" x 36" INDUSTRIAL FLOATING SHELF CHERRY
01FL103610HM1	10" x 36" INDUSTRIAL FLOATING SHELF HARD MAPLE
01FL103610WL1	10" x 36" INDUSTRIAL FLOATING SHELF WALNUT
01FL103610AK1	10" x 36" INDUSTRIAL FLOATING SHELF RED OAK
AVAILABLE FINISHED SHELVES	
01FL1036AKES1	10" x 36" INDUSTRIAL FLOATING SHELF -RED OAK - ESPRESSO



REVISION HISTORY		
REV	REV DATE	DESCRIPTION

TOLERANCES	
WIDTH	± .03125"
THICKNESS	± .03125"
LENGTH	± .0625"
ANGULAR	± x.x°
PROFILE	± x.xxx"
Use General Tolerances Unless Noted	

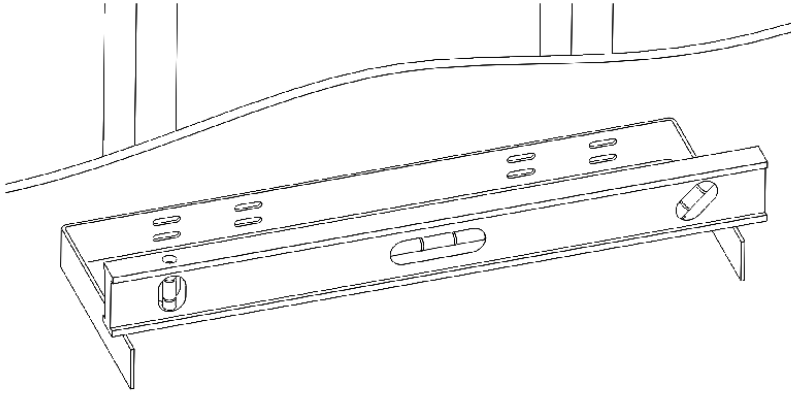
AVAILABLE WOOD SPECIES		
(AK) RED OAK	(AL) ALDER	(CH) CHERRY
(HM) HARD MAPLE	(WL) WALNUT	
AVAILABLE FINISHES		
(AK-ES) RED OAK - ESPRESSO FINISH		
Do not scale. Use dimensions only. All dimensions are in inches unless noted		

TITLE:	10" X 36" INDUSTRIAL FLOATING SHELVES	
	NOMINAL SIZE 36" X 10" X 2.625"	
DWG #:	SEE TABLE	REV:
DATE:	12/14/2016	SCALE: 1:8

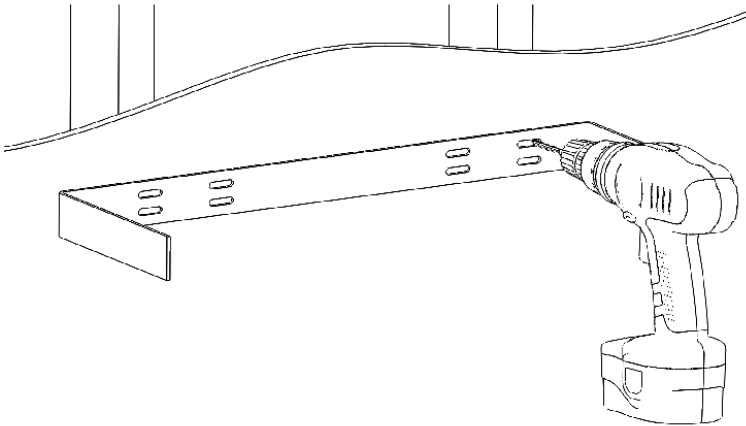
INSTALLING A FLOATING SHELF SUPPORT BRACKET & SHELF

Whenever installing the floating shelf brackets make sure you are tying into the studs inside the wall for the maximum support strength. A stud finder will help find their locations. The slotted holes in the bracket are 16" on center to match standard stud spacing used in most construction.

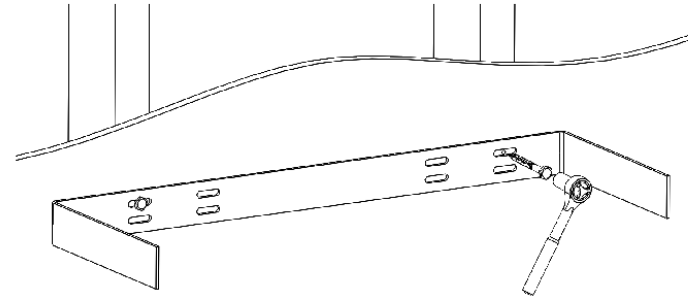
1. Using a level, position the bracket on the wall. Make sure the slotted holes on the bracket are positioned in front of the studs in the wall. Once the bracket is in position mark the slots on the wall.



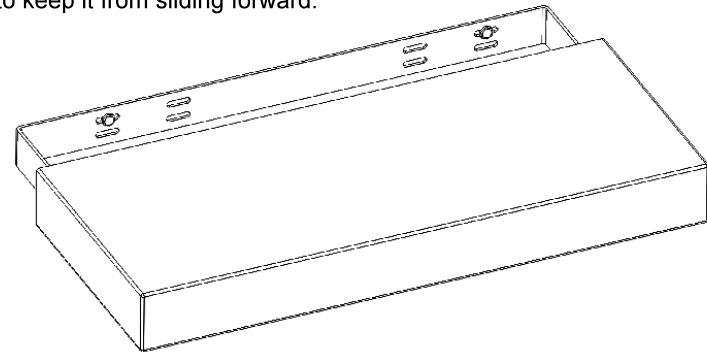
2. Drill pilot holes that are slightly smaller than the fastener.



3. After pilot holes have been drilled install fasteners with bracket in place. Prior to tightening fasteners completely check with level once again and make any adjustments if needed before tightening.



4. With the bracket securely fastened, insert shelf over the arms of the bracket. It is designed to be a snug fit, so you may need to give it a slight push to slide completely to wall. If shelf is still loose a small dab of glue may be used at back of shelf to keep it from sliding forward.



5. The floating shelf has a 60 lb carrying capacity and it is recommended not to exceed this weight to avoid seeing any deflection in the shelf.

