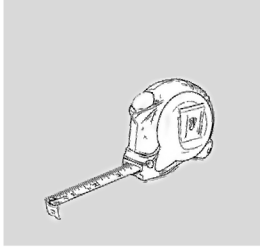
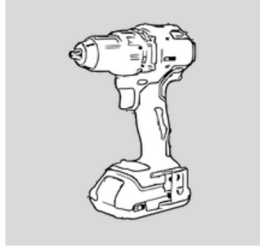


C-TRAC™ (side-mount) Installation Instructions

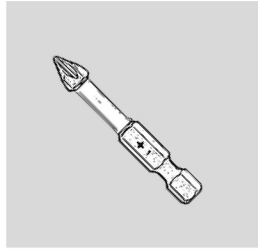
Tools



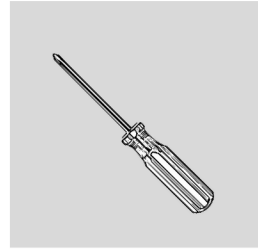
Tape Measure



Drill



#2 Philips Bit



Philips Screw Driver

Note:

The C-Trac (side-mount) is shown here being installed on a Base Organizer.

If you are installing it into a different product, the steps are exactly the same.

Parts and Hardware (included)



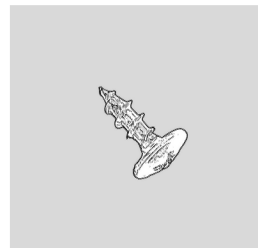
Aluminum Track



Side-Mount Bracket

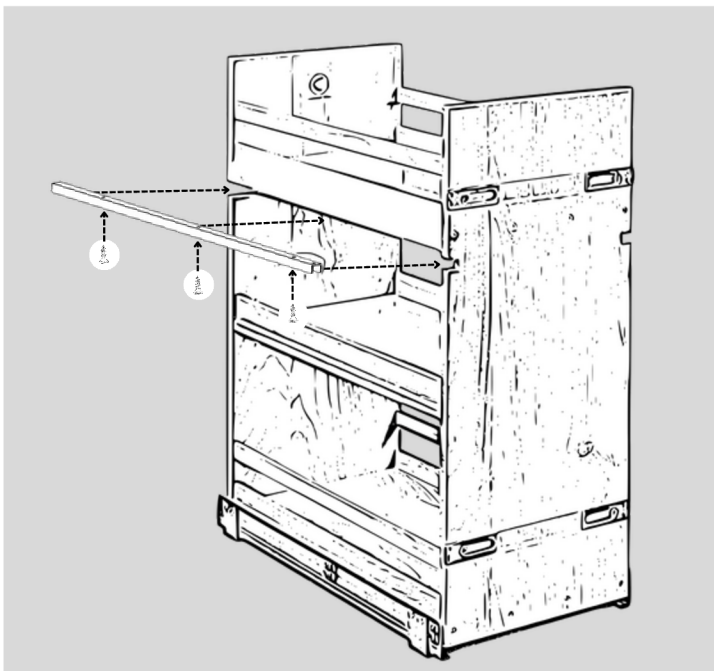


#6 x 1/2" Screw
x 3



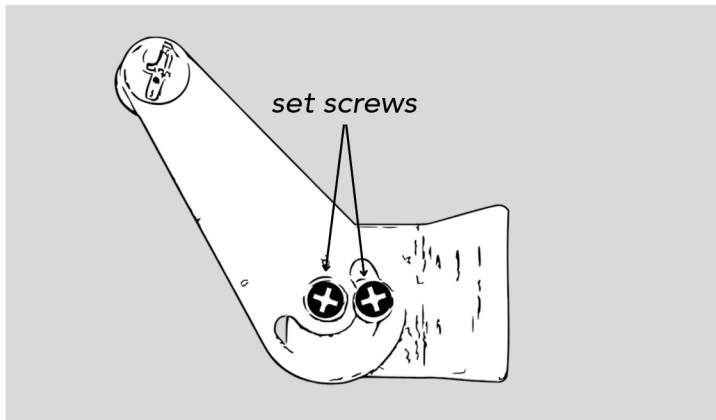
#8 x 1/2" Screw
x 4

Step 1 | Install the aluminum track.



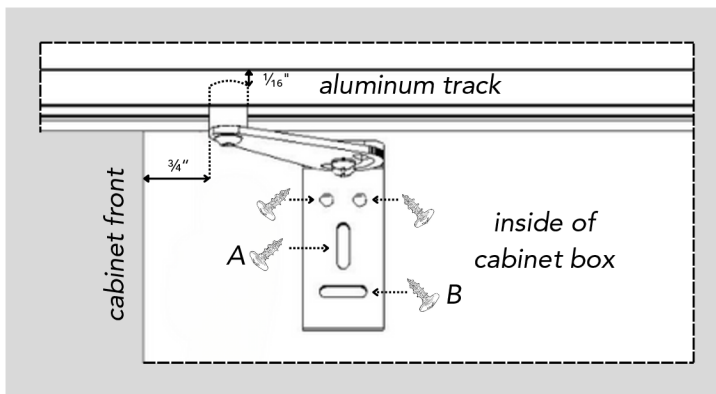
- Insert the aluminum track channel-down as shown.
- Fasten it with three #6 x 1/2" screws.

Step 2 | Loosen the set screws.



- Loosen the set screws on the side-mount bracket.

Step 3 | Install the side-mount bracket.

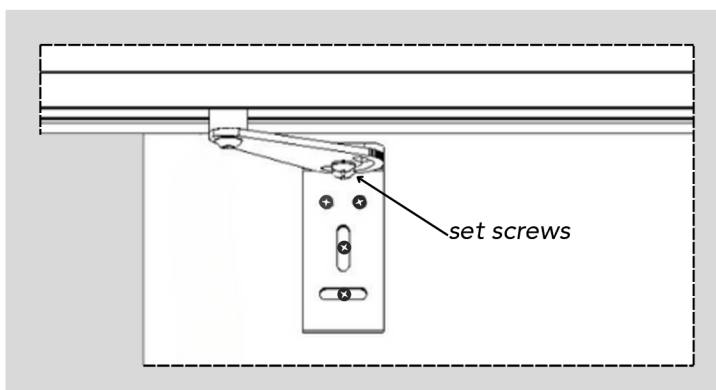


- Open the organizer one-third of the way.
- Insert the side-mount bracket into the aluminum track as shown.
- Position the bracket as shown then insert screw A.
- Level the bracket then insert screw B.
- Check that your bracket is correctly positioned and leveled then insert the remaining screws.

Pro Tip

The $\frac{1}{16}$ " clearance is approximate. We've found it easiest to insert the bracket bushing until it hits the top of the aluminum track then to drop it a fraction.

Step 4 | Tighten the set screws.



- Find the side-mount bracket's set position by sliding the organizer in and out of the cabinet box several times.
- Tighten the set screws.
- Test the sliding action and make adjustments as necessary.