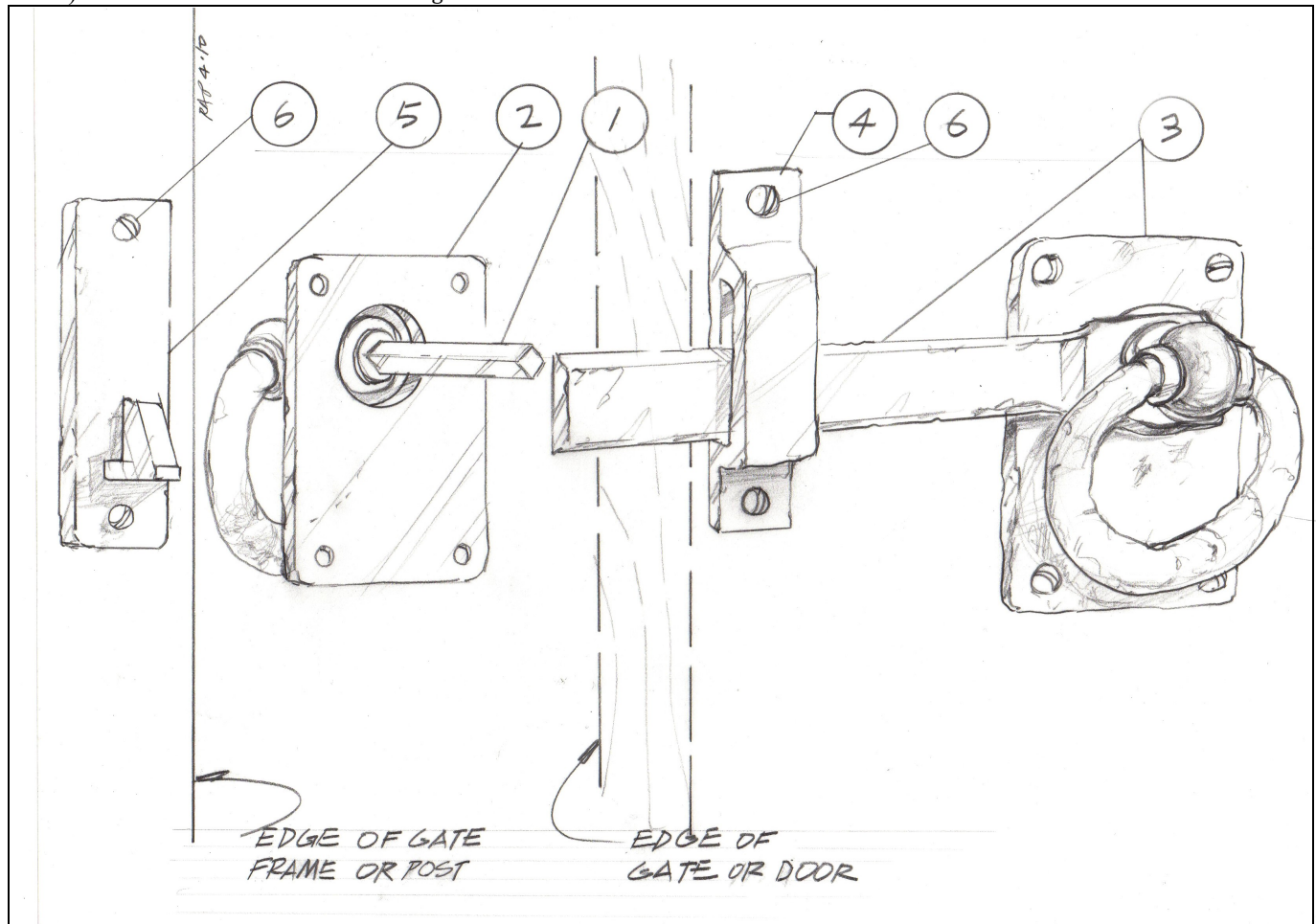


Work required:

A hole and arrangement is required in gate to mount this hardware to a gate or door.

Parts for 60-100

- 1) SPINDLE
- 2) RING TURN NO DROP BAR
- 3) RING TURN WITH DROP BAR
- 4) KEEPER for Drop bar
- 5) CATCH PLATE for Drop bar
- 6) SCREWS--12 round head mounting screws

**Tools required for mounting:**

- 1) Electric drill
- 2) 3/4" diameter wood bit
- 3) Screw driver with blade end
- 4) Pencil

INSTALLATION

Gate should be hung on its hinges before installing latch. There should be between a 1/4" and 1/8" vertical clearance gap between the gate and its post or frame.

The top of the plate should be set approximately 35" to 60" from the ground depending on personal preference.

Determine the side of the gate that swings toward you as you open the gate. This will be the "LATCH SIDE"

3) ON LATCH SIDE-

LOCATE THE RING POSITION—Draw pencil mark at the top center of the plate that the ring is on; Make sure that you position the plate so the drop bar over hangs the edge of the gate by NO MORE than 1-3/4”.

- A) Drill a 3/4” hole though the gate 1-3/8” below the pencil mark.
- B) DRILL 1/8” SCREW PILOT HOLES (4)
- C) MOUNT THE RING TURN PLATE with 4 screws.

2) ON NON-LATCH SIDE-

- a. Insert the SPINDLE (1) though the gate into (3) Make sure that the spindle is no to long as this will bind the rings from turning.
- b. DRILL 1/8” SCREW PILOT HOLES (4)
- c. Complete mounting PLATE with 4 screws.

4) **MOUNT THE KEEPER PLATE** with two SCREWS on the outside edge of the gate with the DROP BAR protruding though the KEEPER. Make sure that the KEEPER is on the edge on the gate and the drop bar is horizontal.

5) **MOUNT THE CATCH PLATE** on the vertical post or frame at the rest position of the DROP BAR with 2 remaining SCREWS. Make sure that there is no more than 3/4” between the KEEPER and the CATCH.

When either RING is turned, the DROP BAR will lift to clear the CATCH.