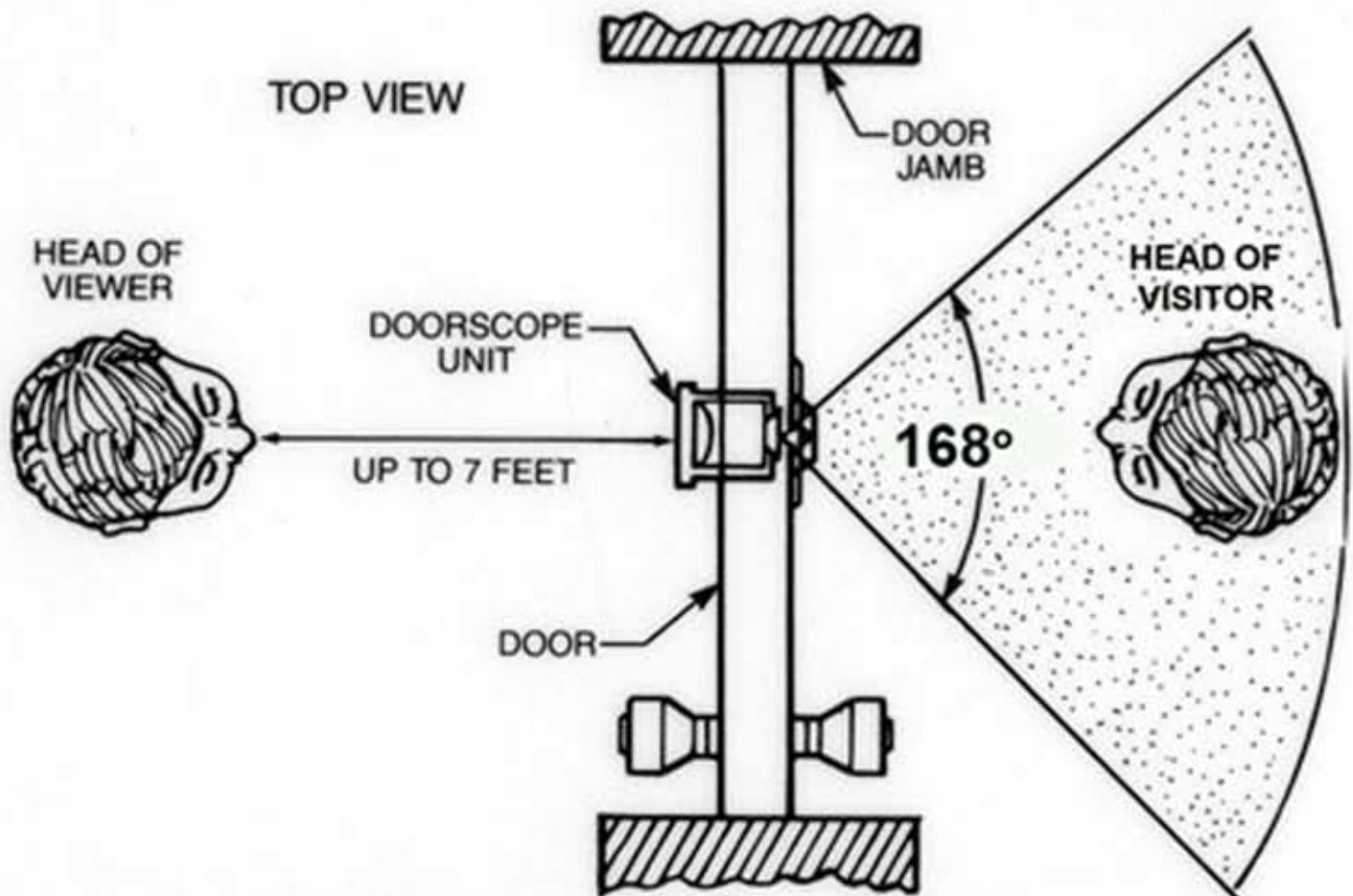


ADJUSTABLE FROM  $1\text{-}\frac{1}{8}\text{''}$  UP TO  $2\text{''}$



MEASURED AT 3 FEET FROM DOOR SURFACE