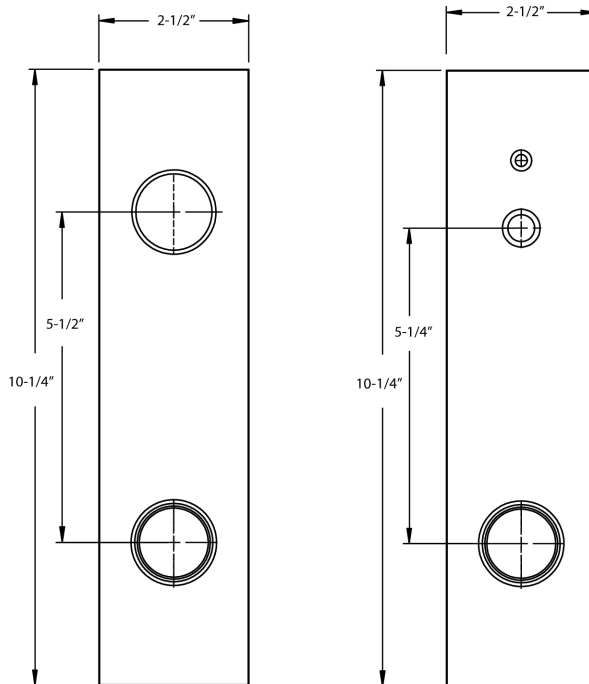


MODERN RECTANGULAR TWO POINT SINGLE CYLINDER



Outside Trim Inside Trim



Door Thickness Specifications

Standard Door Thickness: 1 1/4" - 1 3/4"

Standard Components:

- Single Cylinder Tailpiece
- Inside Passage Half Spindle
- 1" Wood Screws
- Threaded Tubes & Machine Screws
- Supplied upon request for Hollow-Core Doors*
- 2 1/4" Deadbolt Mounting Screws
- Full-Lip Strike Plate
- Deadbolt Strike Plate

Extended Door Thickness: 1 3/4" - 2 1/4"

Extended Components:

- Long Single Cylinder Tailpiece
- Long Inside Passage Half Spindle
- 1" Wood Screws
- Threaded Tubes & Machine Screws
- Supplied upon request for Hollow-Core Doors*
- 2 1/2" Deadbolt Mounting Screws
- Extended Full-Lip Strike Plate
- Deadbolt Strike Plate

Extended Door Thickness: 2 1/4" - 2 3/4"

Extended Components:

- Extra Long Single Cylinder Tailpiece
- Extra Long Inside Passage Half Spindle
- 1" Wood Screws
- Threaded Tubes & Machine Screws
- Supplied upon request for Hollow-Core Doors*
- 3" & 3 1/2" Deadbolt Mounting Screws
- Extended Full-Lip Strike Plate
- Deadbolt Strike Plate