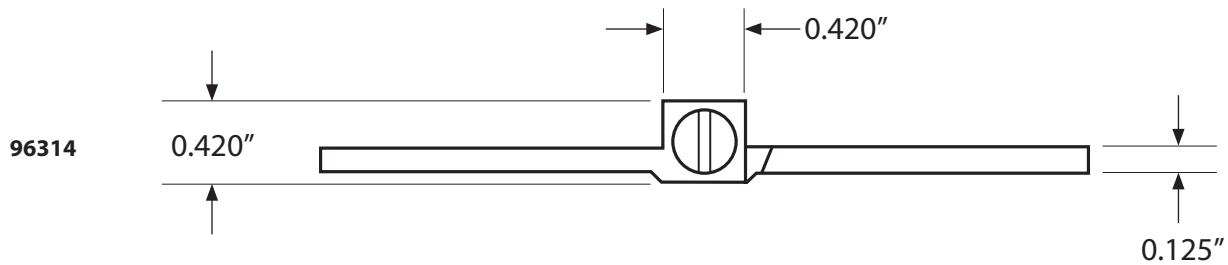
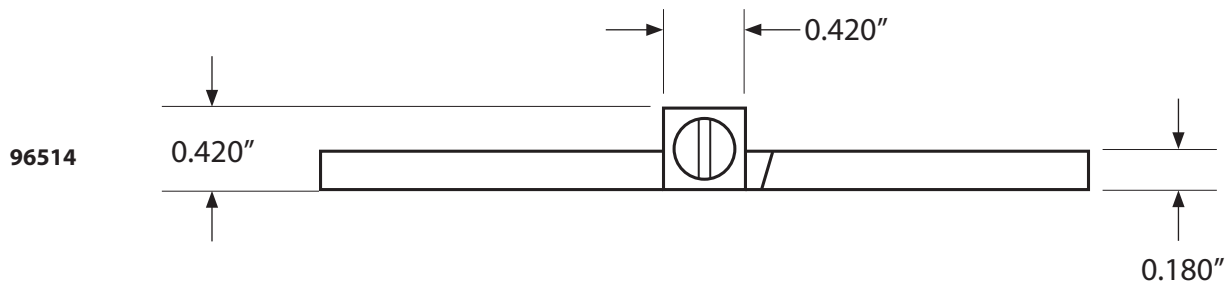
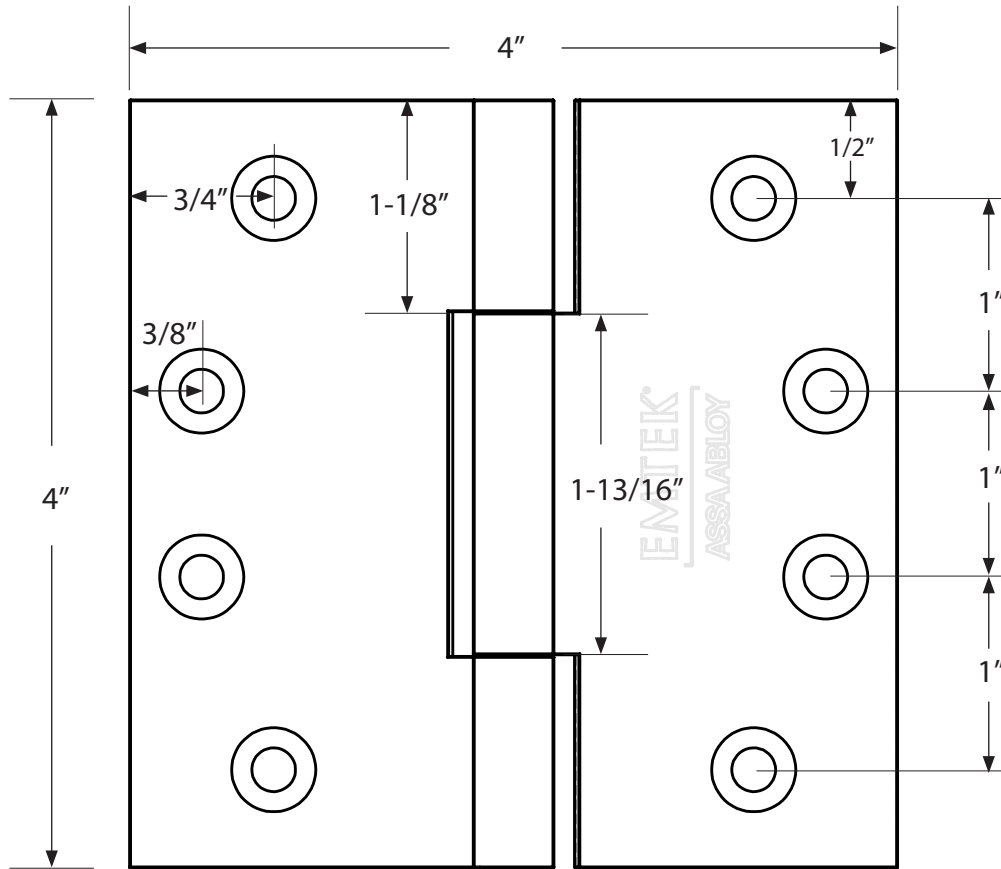


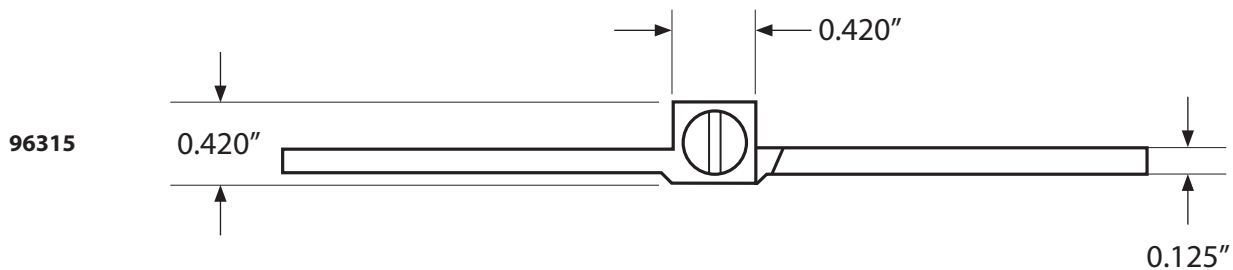
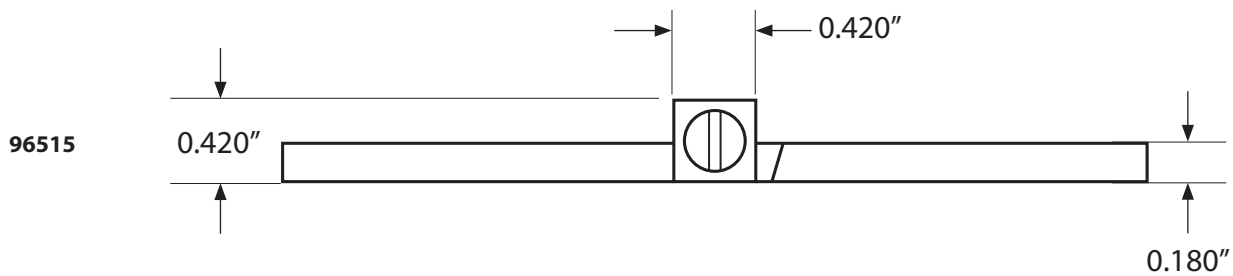
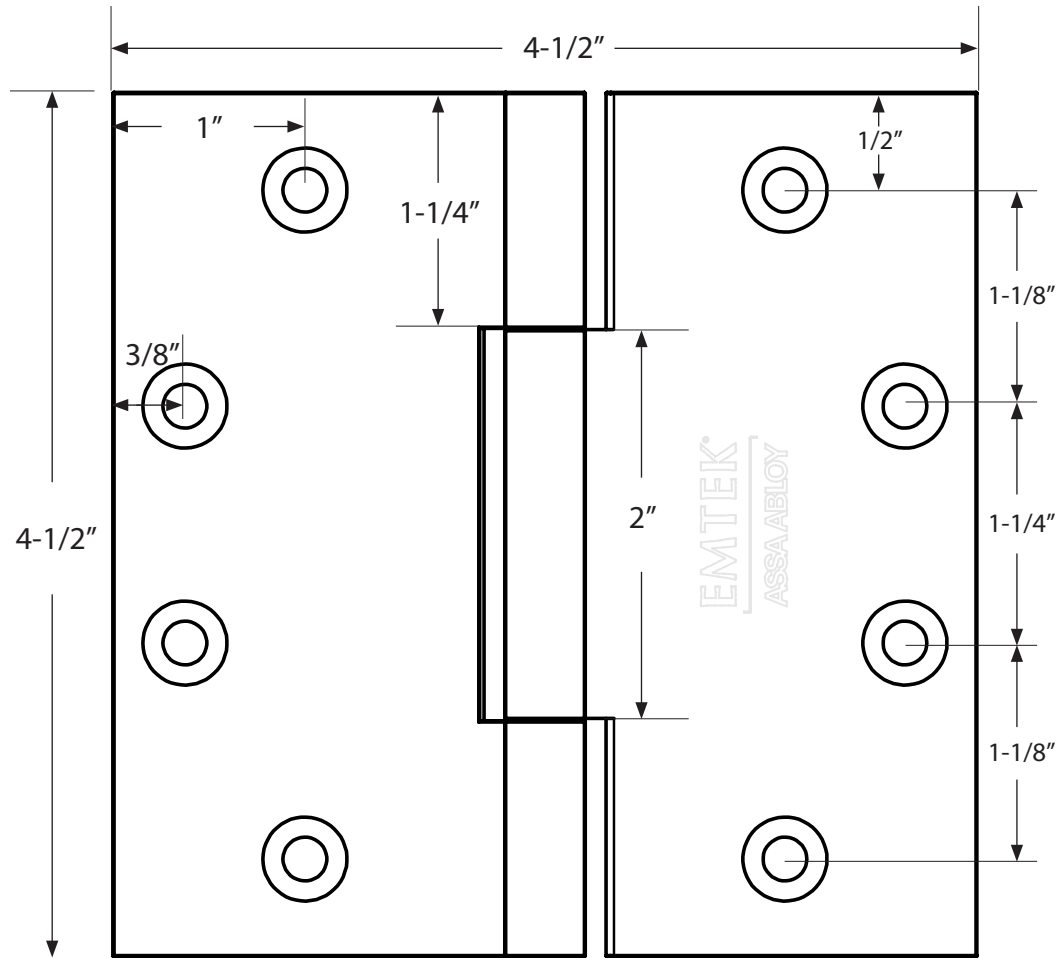
Note: For general info only. Do NOT use as a drilling template.

Use #9 Phillips Flat Head Screws



Note: For general info only. Do NOT use as a drilling template.

Use #12 Phillips Flat Head Screws



Note: For general info only. Do NOT use as a drilling template.

Use #12 Phillips Flat Head Screws