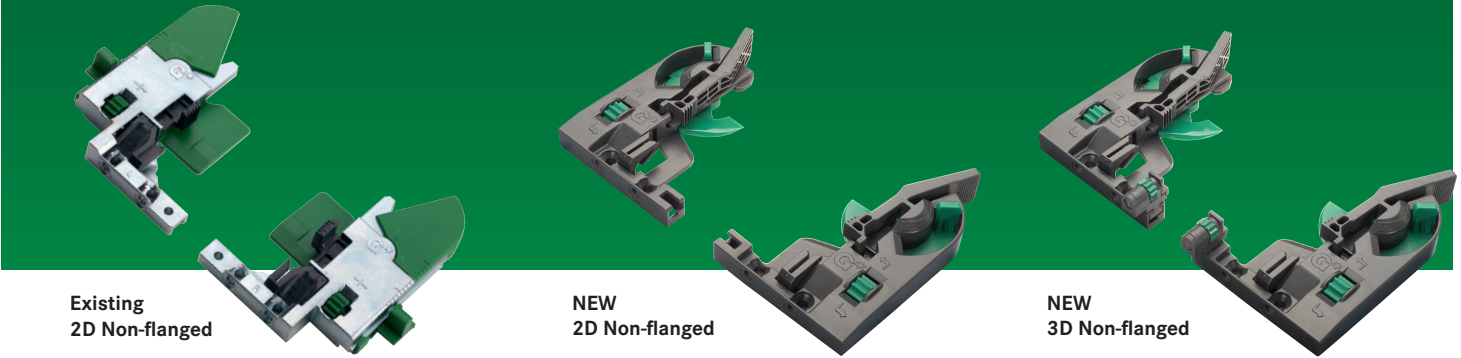


Front Locking Devices Comparison Sheet



Existing
2D Non-flanged

NEW
2D Non-flanged

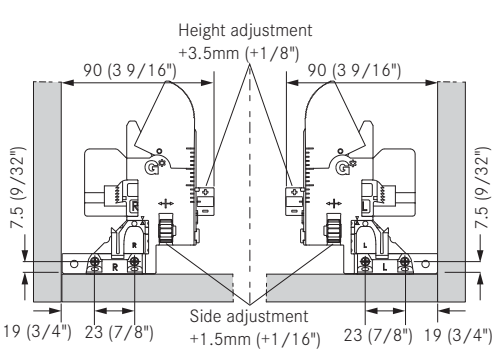
NEW
3D Non-flanged

2D Non-flanged

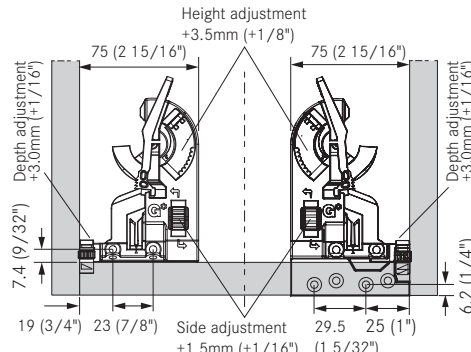
- Provides 2D adjustment for drawers
- For standard width drawers
- For standard width inset drawers
- Minimum inside drawer width 180mm (7 3/32")
- +3.5mm height adjustment
- ±1.5mm side adjustment

2D/3D Flanged and Non-flanged

- Provides 2D or 3D adjustment for drawers
- For standard width drawers
- For standard width inset drawers
- Minimum inside drawer width 150mm (5 29/32")
- +3.5mm height adjustment
- ±1.5mm side adjustment
- +3.0mm depth adjustment forward (3D version only)



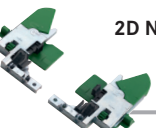
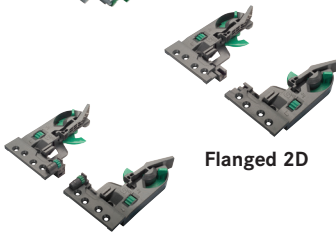

Standard Mount



Standard Mount

Flange Mount

For use with
the Dynapro
Full Extension
Undermount
Drawer Slides

Version	Grass Item No.	Adjustments	Item Description	PU
 2D Non-flanged	F134125000633	height, side	Dynapro FLD, Left, 2D	200
	F134125001633	height, side	Dynapro FLD, Right, 2D	200
	F134101400633	height, side	Dynapro FLD, Set, 2D	5
 Flanged 2D	F134108942233	height, side, depth	Dynapro FLD, Left, Flange, 3D	200
	F134108943233	height, side, depth	Dynapro FLD, Right, Flange, 3D	200
	F134108947233	height, side, depth	Dynapro FLD, Left, 3D	200
	F134108948233	height, side, depth	Dynapro FLD, Right, 3D	200
	F134108944233	height, side	Dynapro FLD, Left, Flange, 2D	200
 Flanged 3D	F134108945233	height, side	Dynapro FLD, Right, Flange, 2D	200
	F134108950233	height, side	Dynapro FLD, Left, 2D	200
	F134108951233	height, side	Dynapro FLD, Right, 2D	200
	F134108951233	height, side	Dynapro FLD, Right, 2D	200