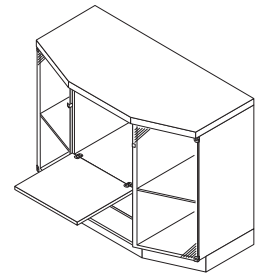


# Flap hinge

## 90° flap hinge with 35 mm cup

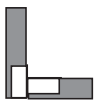


- For flap thicknesses up to 20 mm
- Cup edge cover
- Bottom and flap door are flush inside the cabinet when doors are open
- Hinge is supplied unassembled
- Identical drilling pattern for base and flap door
- 3-dimensional adjustment
- Sturdy design



Full overlay

Opening angle 90°



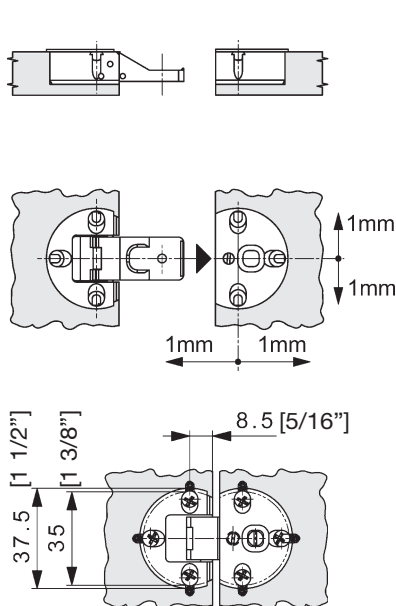
Hinge cup: diecast, nickel-plated  
Hinge arm: diecast, nickel-plated

Item No.

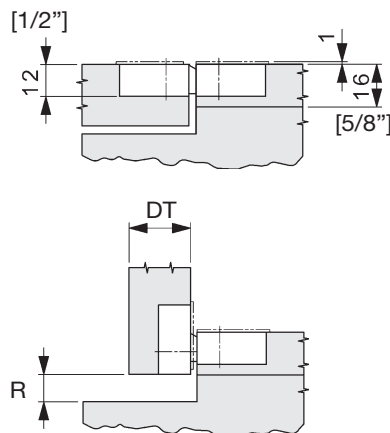
210.735.04.0015

PU 100 pieces

### Mounting measurements for flap hinge



Fixing of flap and base parts using chip board screws  $\varnothing$  3 x 13 mm (screws not included).

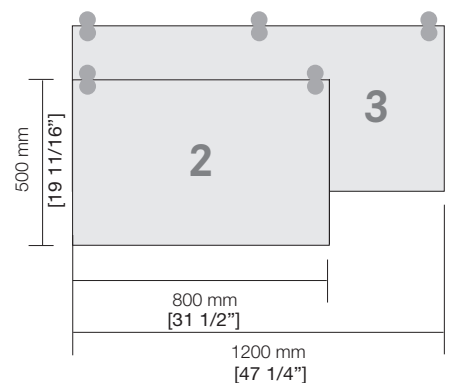


Flap thickness (DT)	14	15	16	17	18	19	20
Gap min. (R)	0.2	1.0	2.0	3.0	3.8	5.0	6.0

#### IMPORTANT

To determine the correct application Grass strongly recommends a trial mounting for all hinges and base plates.

### Number of hinges required



Hinge dimensions and calculation of gap based on factory setting.

PU = packaging unit