

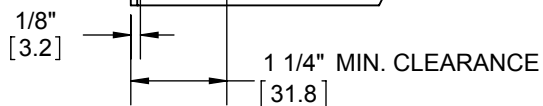
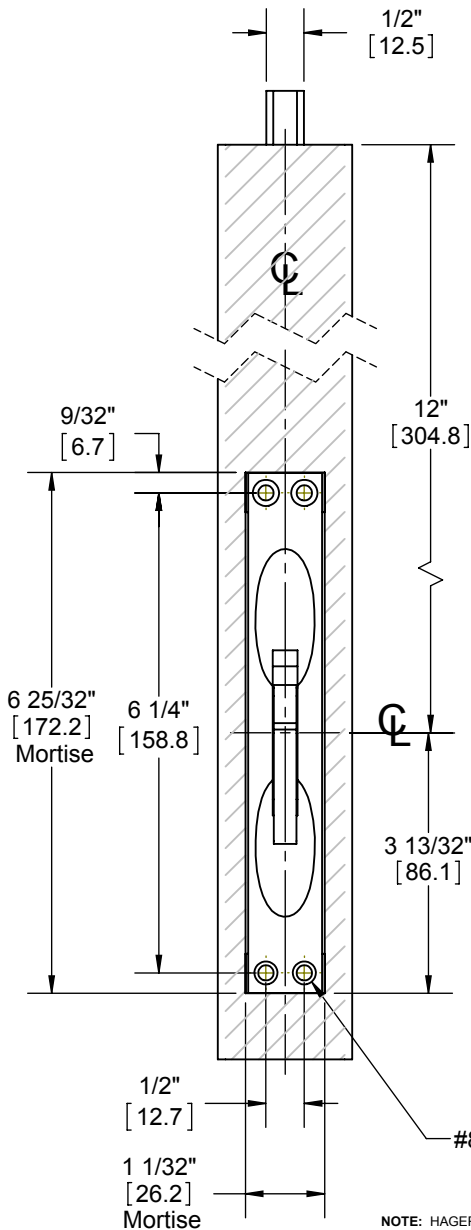
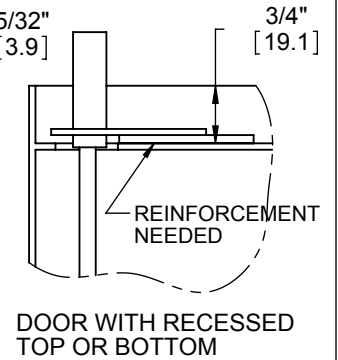
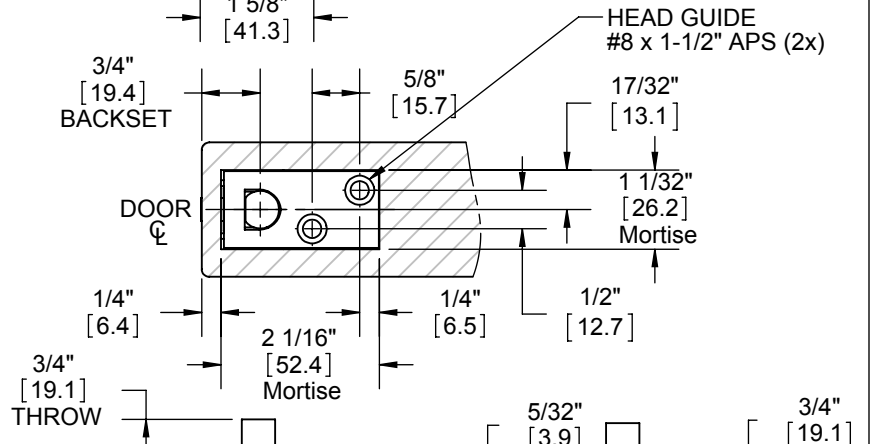
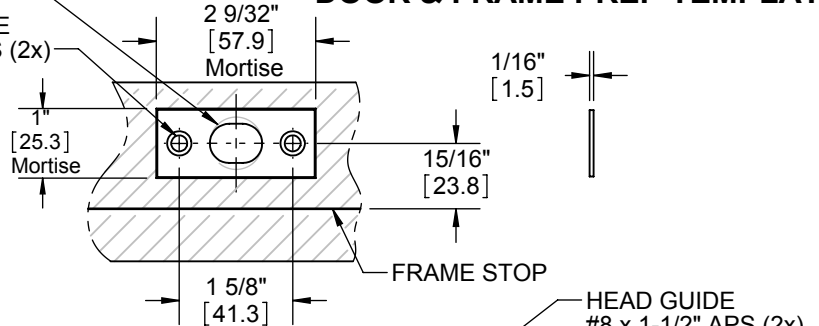
NOTES:

- 282D HAS A 3 HR FIRE RATING FOR METAL DOORS UP TO 4 FT. WIDE X 10 FT. TALL.
- DIMENSIONS SHOWN ON TEMPLATE ARE FOR TOP FLUSH BOLTS. FOR BOTTOM FLUSH BOLTS INVERT & MEASURE FROM BOTTOM EDGE OF THE DOOR.

282D MANUAL FLUSHBOLT DOOR & FRAME PREP TEMPLATE

DRILL $\varnothing 3/4"$ HOLE
3/4" DEEP

FRAME STRIKE
#8 x 1-1/2" APS (2x)



NOTE: HAGER RESERVES THE RIGHT TO MAKE PART CHANGES AND IS NOT RESPONSIBLE FOR OBSOLETE DRAWING ERRORS. TO ENSURE YOUR DRAWING IS CURRENT VISIT WWW.HAGERCO.COM.

NOT TO SCALE

DIMENSIONS IN [] ARE IN MILLIMETERS

TEMPLATE NO: T282D

DRAWING NO: T-TA00177

REV: 07

SHEET 1 OF 1

HAGER COMPANIES 139 Victor Street, St. Louis, MO 63104 - (800) 325-9995 - Fax (800) 782-0149

