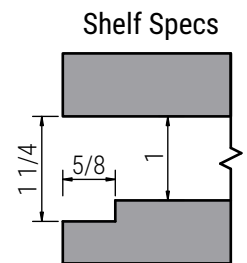
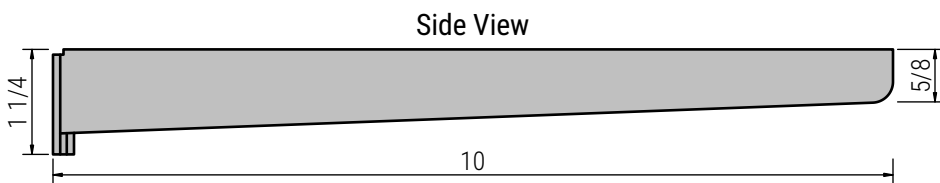
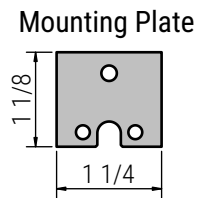
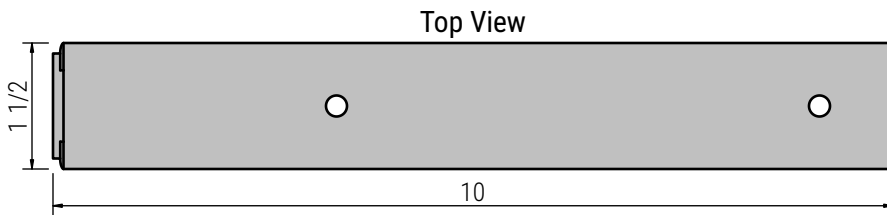
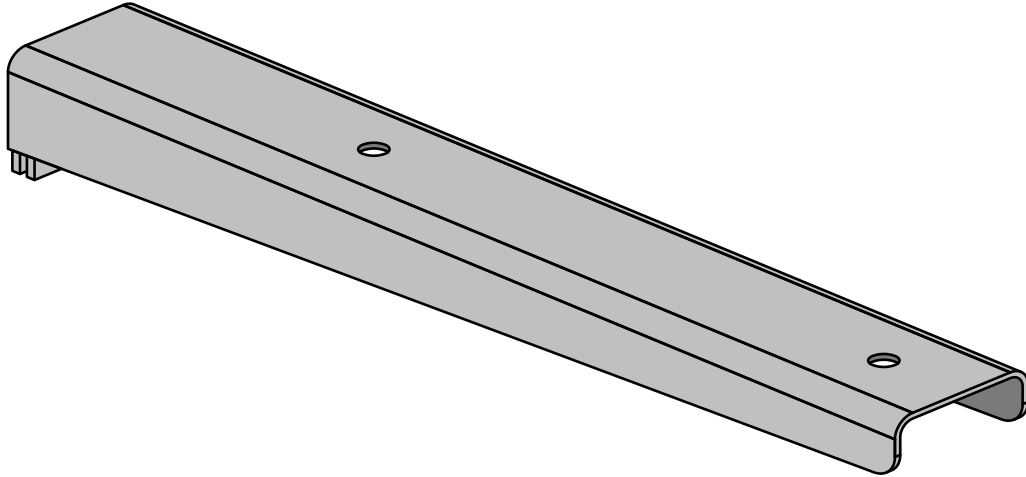




EZ-LOC-1210-10 Specs



Weight Limit [per bracket]

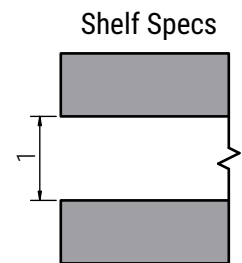
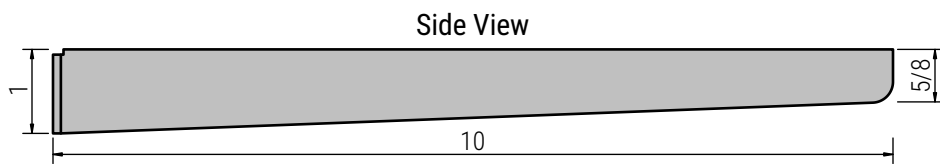
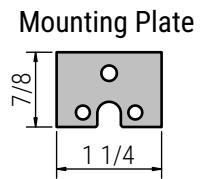
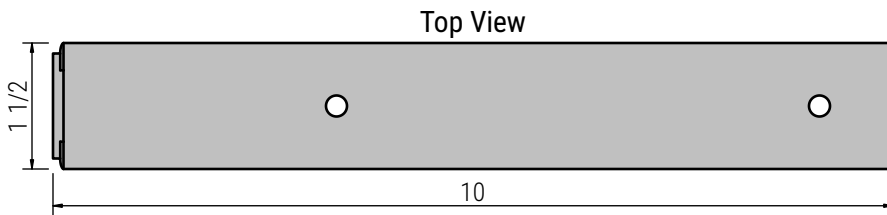
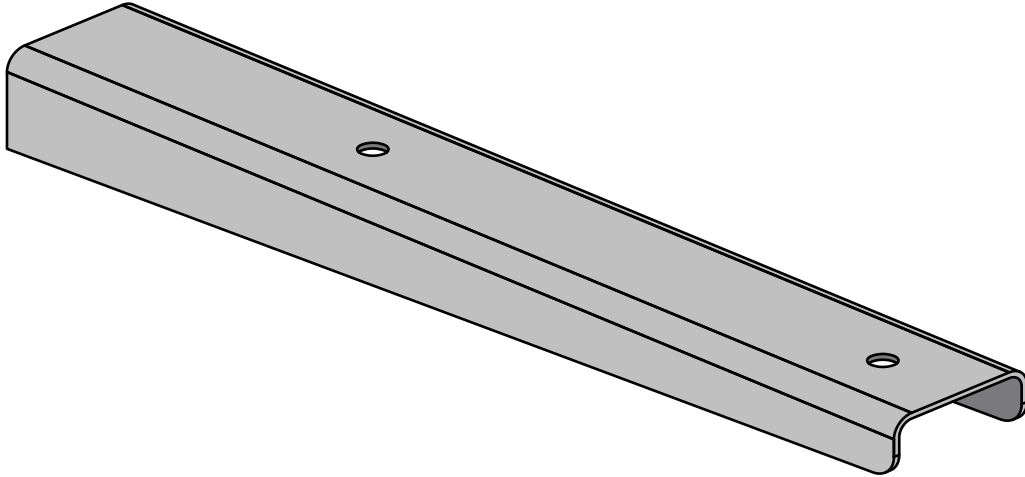
Wood Stud: 60 lb

Deflection [wood stud application]

50 lb: 1/16"



EZ-LOC-1010-10 Specs



Weight Limit [per bracket]

Wood Stud: 50 lb

Deflection [wood stud application]

50 lb: 1/16"