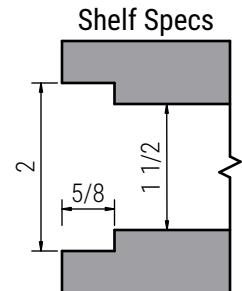
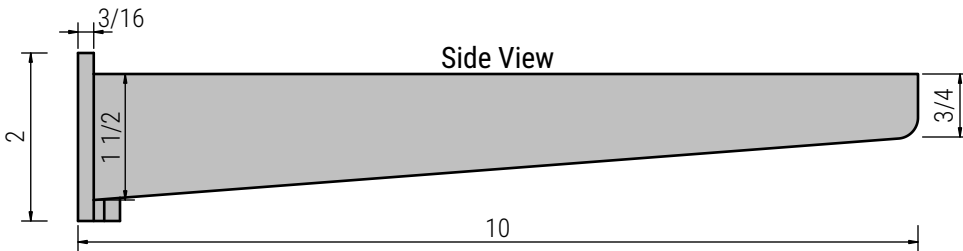
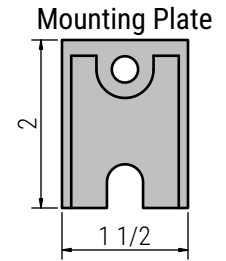
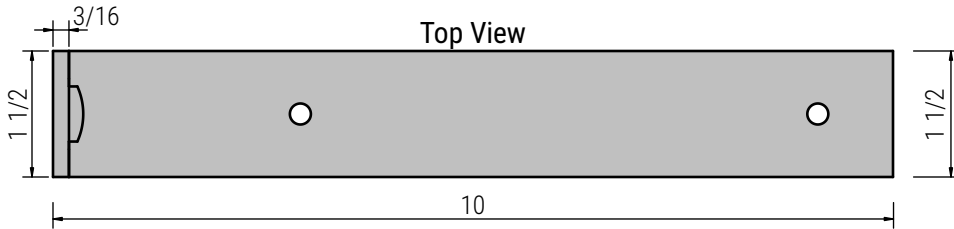
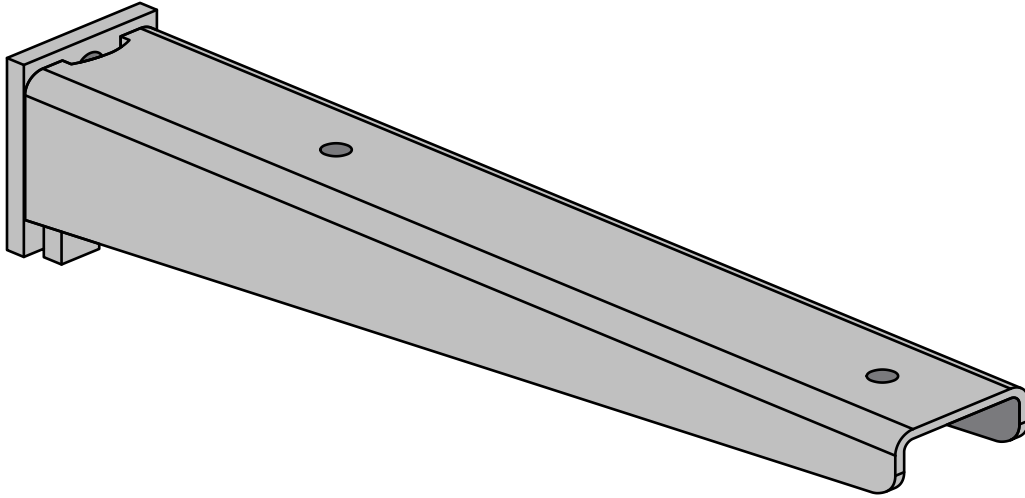




T-LOC-2015-10 Specs



Weight Limit [per bracket]

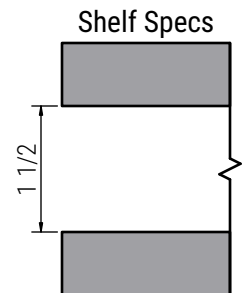
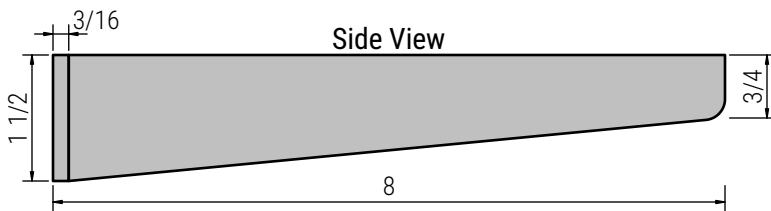
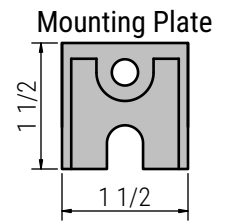
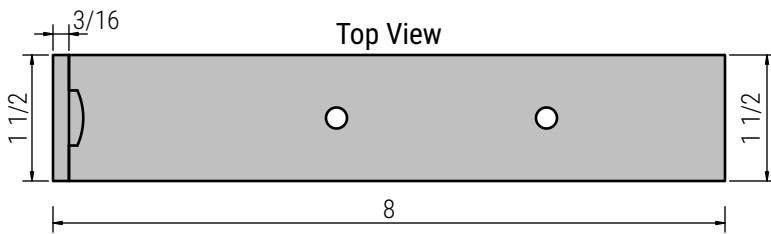
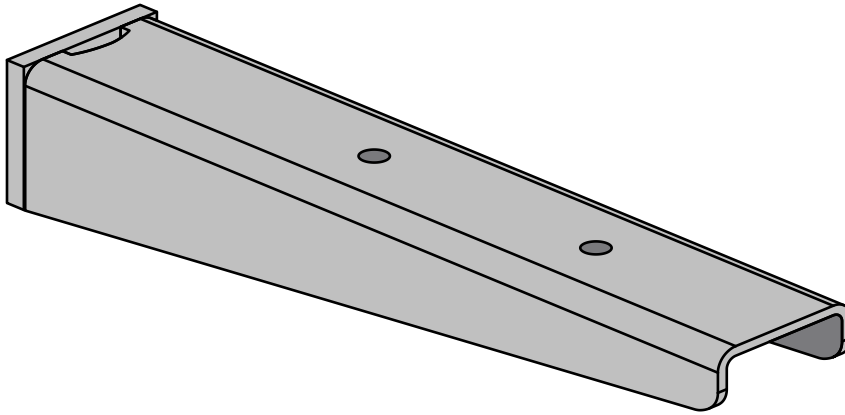
- Wood Stud: 225 lb
- 1/2" Drywall: 50 lb
- 18ga Steel Stud: 75 lb
- Concrete: 225 lb

Deflection [wood stud application]

- 100 lb: 1/8"
- 225 lb: 3/16"



T-LOC-1515-08 Specs



Weight Limit [per bracket]

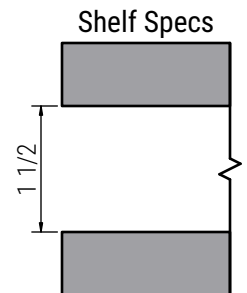
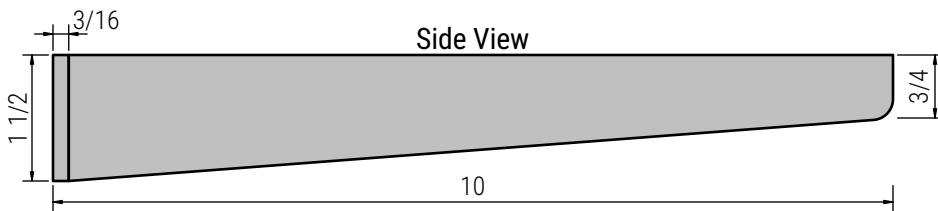
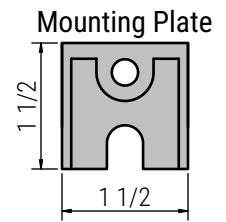
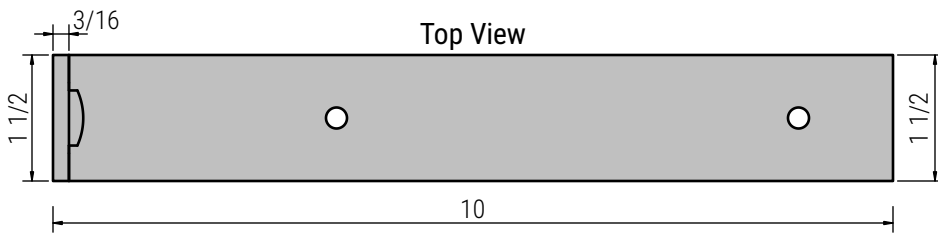
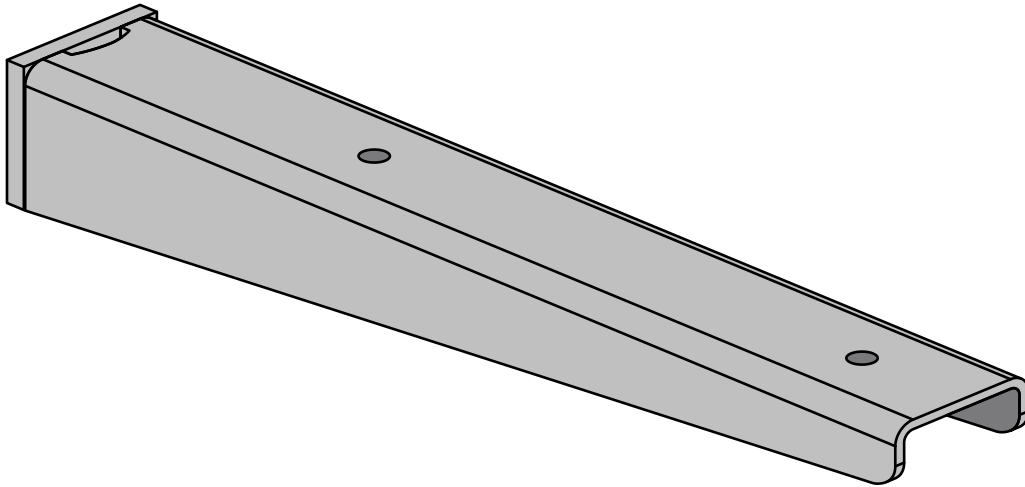
- Wood Stud: 150 lb
- 1/2" Drywall: 40 lb
- 18ga Steel Stud: 60 lb
- Concrete: 150 lb

Deflection [wood stud application]

- 100 lb: 1/8"
- 150 lb: 1/4"



T-LOC-1515-10 Specs



Weight Limit [per bracket]

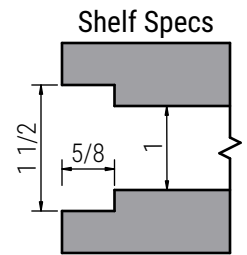
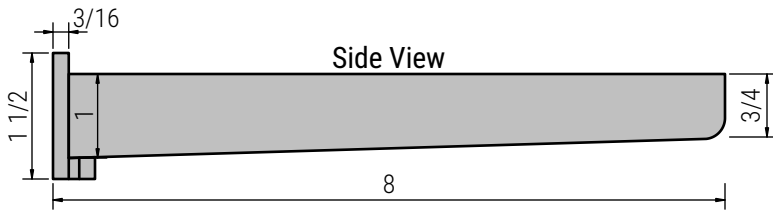
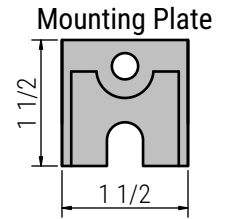
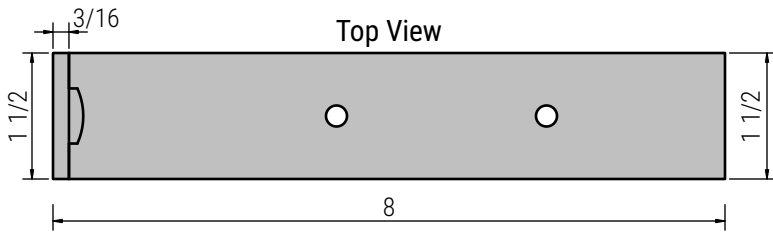
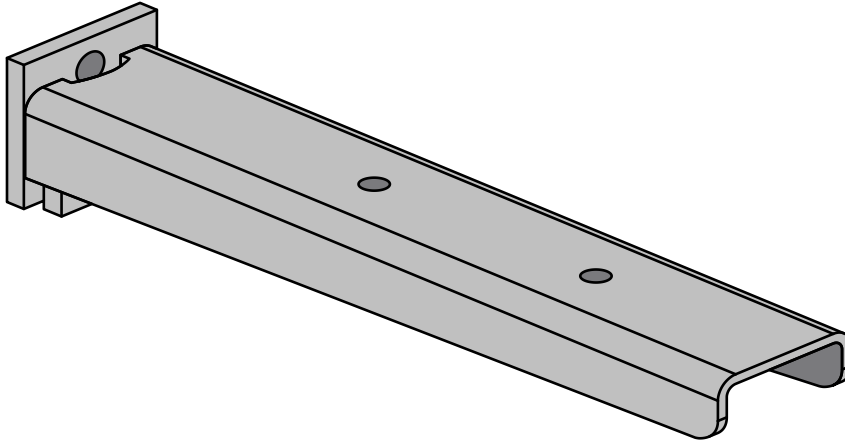
- Wood Stud: 150 lb
- 1/2" Drywall: 40 lb
- 18ga Steel Stud: 60 lb
- Concrete: 150 lb

Deflection [wood stud application]

- 100 lb: 1/8"
- 150 lb: 1/4"



T-LOC-1510-08 Specs



Weight Limit [per bracket]

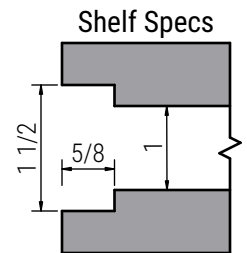
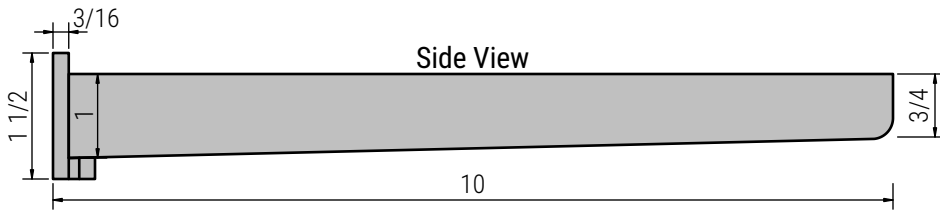
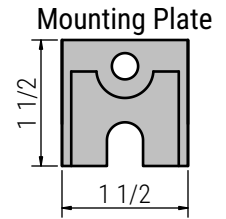
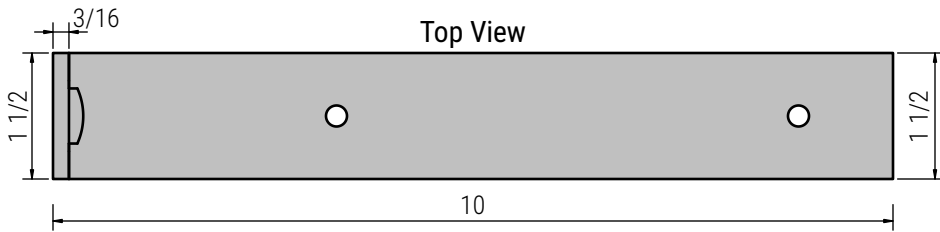
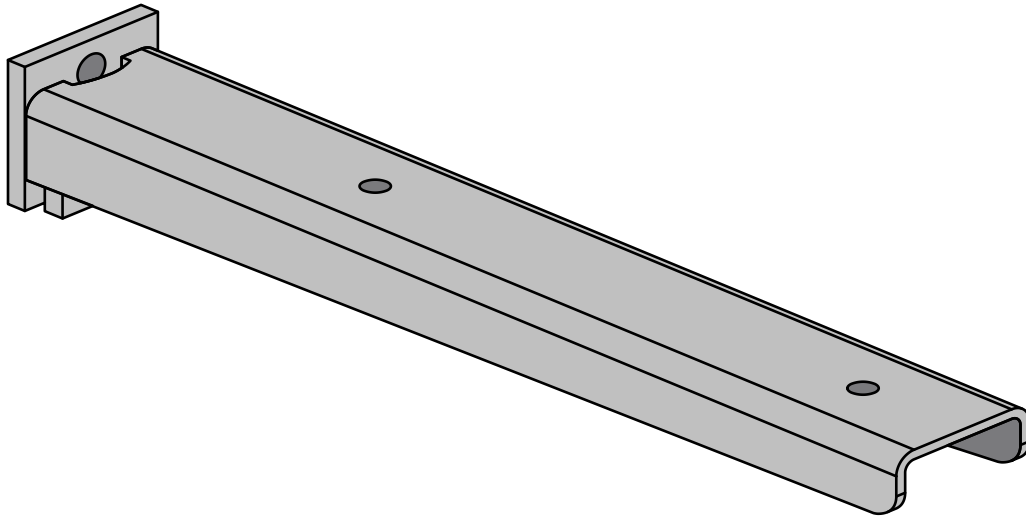
- Wood Stud: 120 lb
- 1/2" Drywall: 40 lb
- 18ga Steel Stud: 60 lb
- Concrete: 100 lb

Deflection [wood stud application]

- 90 lb: 1/8"
- 120 lb: 3/16"



T-LOC-1510-10 Specs



Weight Limit [per bracket]

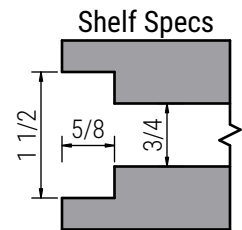
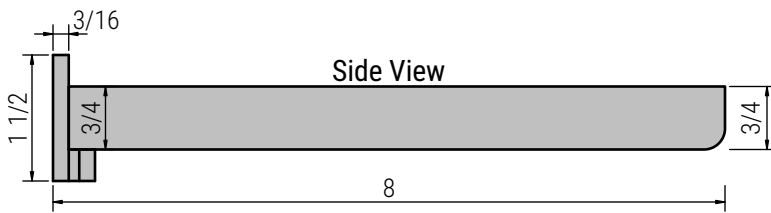
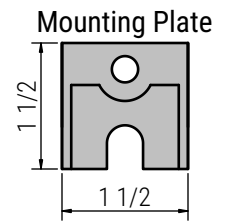
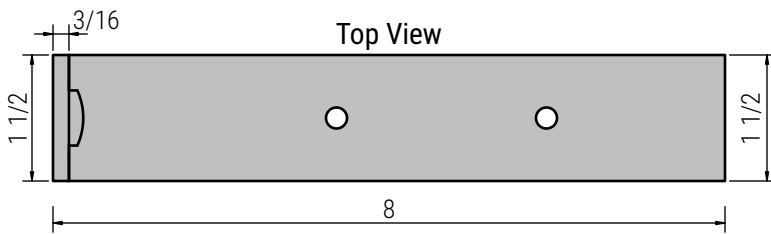
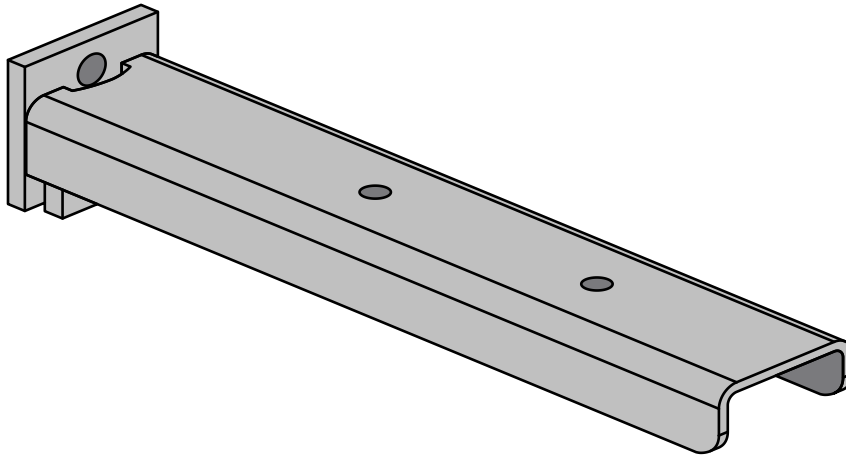
- Wood Stud: 120 lb
- 1/2" Drywall: 40 lb
- 18ga Steel Stud: 60 lb
- Concrete: 100 lb

Deflection [wood stud application]

- 90 lb: 1/8"
- 120 lb: 3/16"



T-LOC-1575-08 Specs



Weight Limit [per bracket]

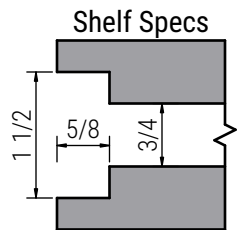
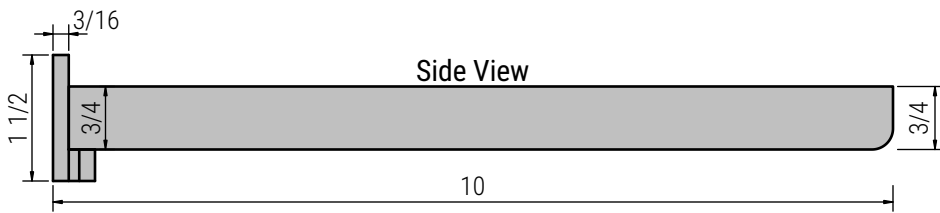
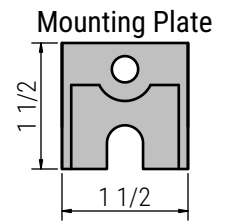
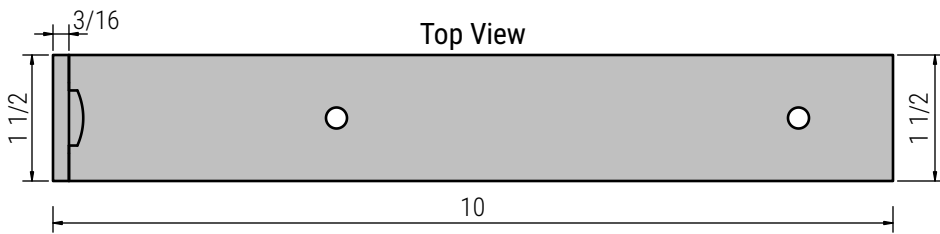
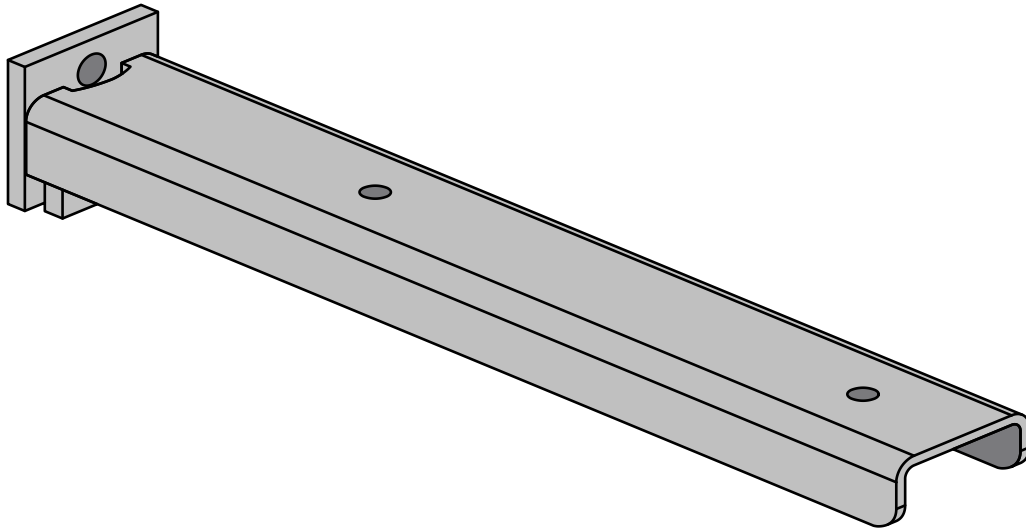
- Wood Stud: 100 lb
- 1/2" Drywall: 40 lb
- 18ga Steel Stud: 60 lb
- Concrete: 75 lb

Deflection [wood stud application]

100 lb: 1/4"



T-LOC-1575-10 Specs



Weight Limit [per bracket]

- Wood Stud: 100 lb
- 1/2" Drywall: 40 lb
- 18ga Steel Stud: 60 lb
- Concrete: 75 lb

Deflection [wood stud application]

100 lb: 1/4"