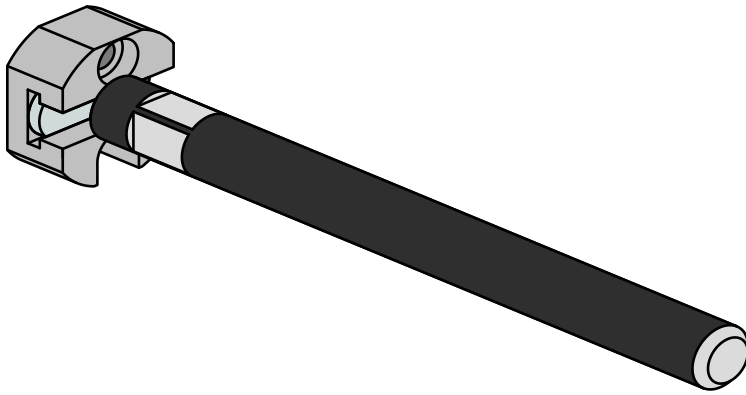
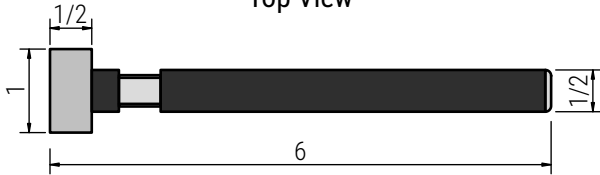




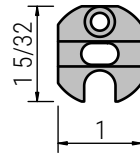
# TBR-LOC-1250-06 Specs



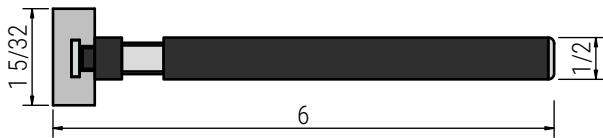
Top View



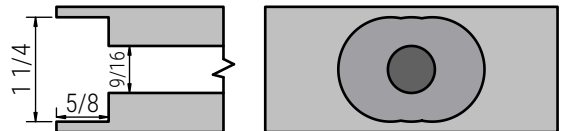
Mounting Plate



Side View



Shelf Specs



## Weight Limit [per bracket]

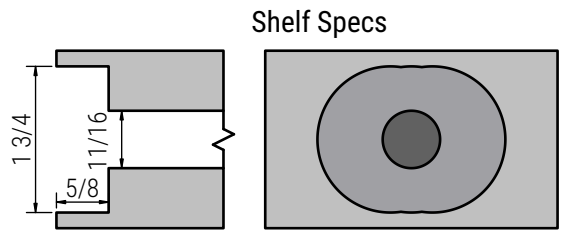
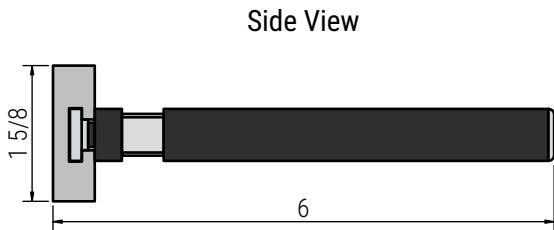
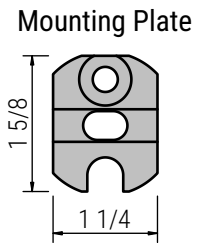
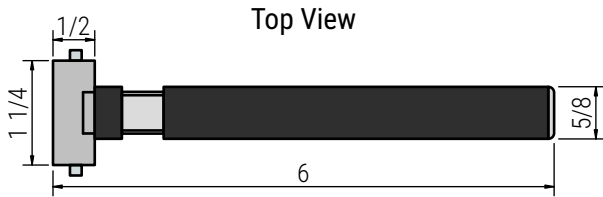
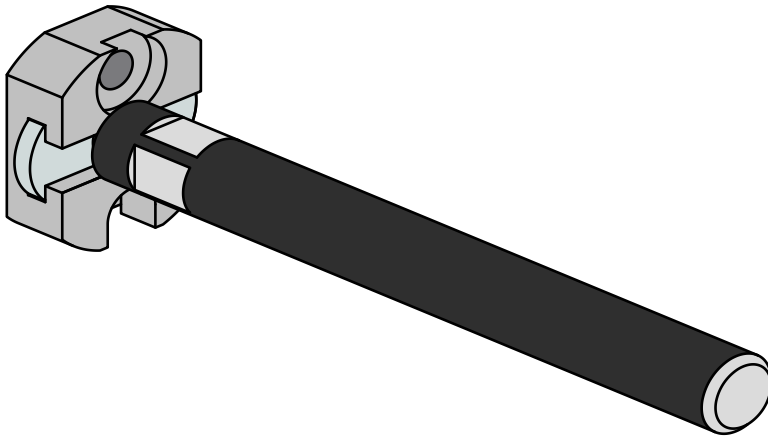
Wood Stud: 50 lb

## Deflection [wood stud application]

50 lb: 3/16"



# TBR-LOC-1762-06 Specs

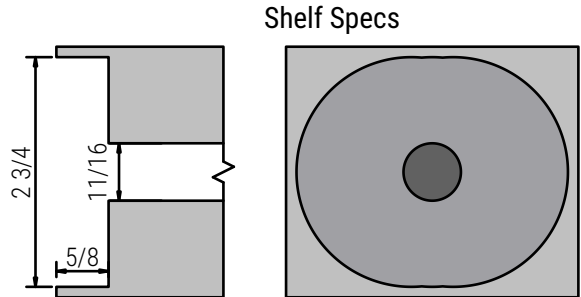
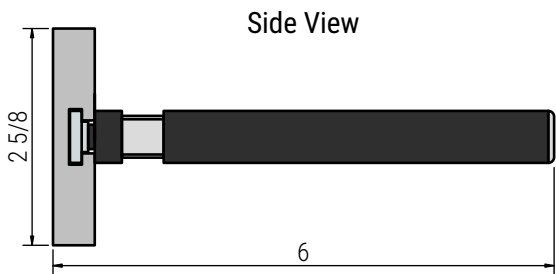
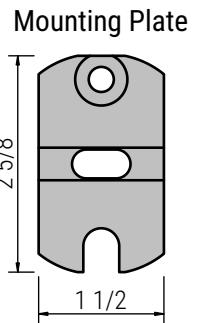
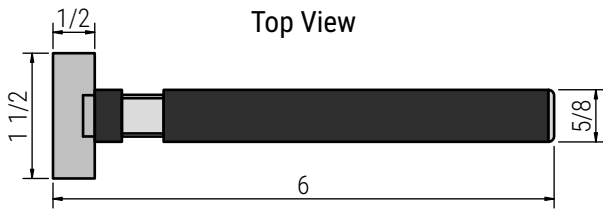
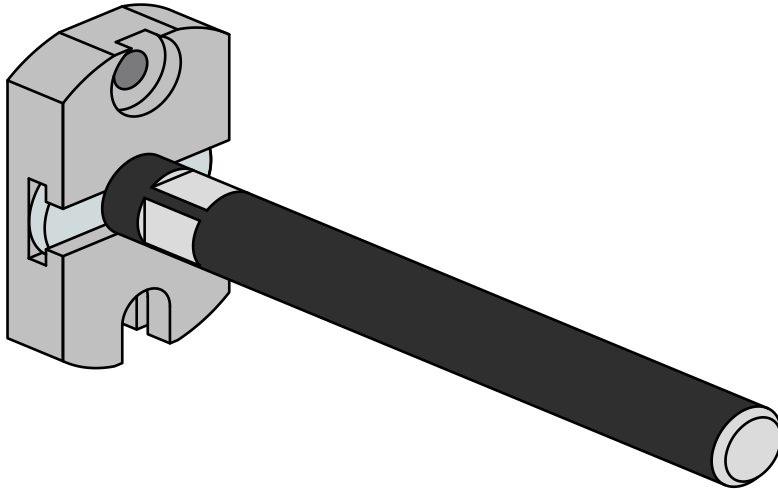


**Weight Limit** [per bracket]  
Wood Stud: 100 lb

**Deflection** [wood stud application]  
100 lb: 1/8"



# TBR-LOC-2762-06 Specs



**Weight Limit** [per bracket]  
Wood Stud: 150 lb

**Deflection** [wood stud application]  
150 lb: 1/8"