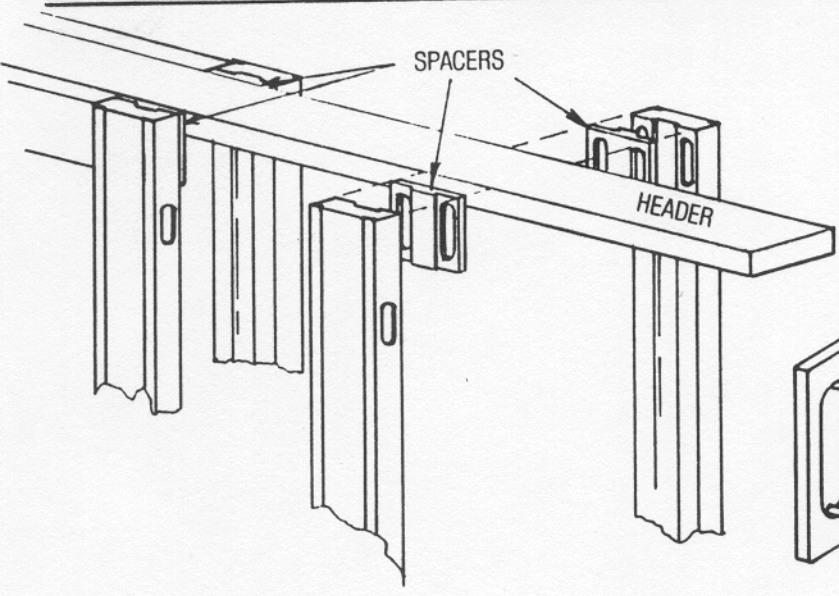




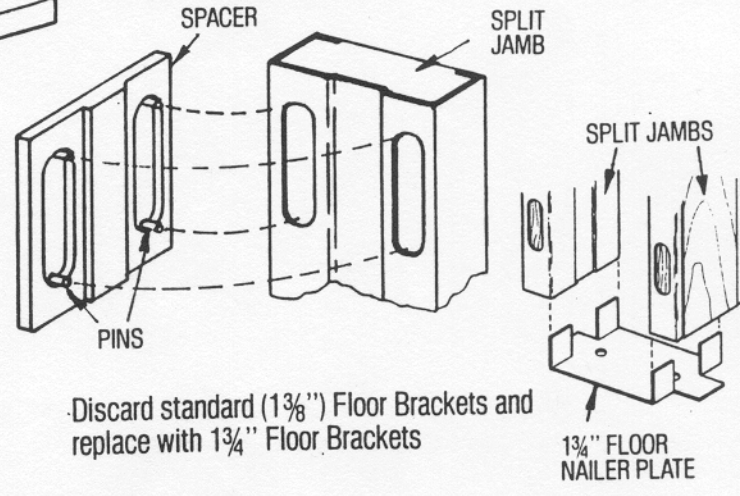
# INSTRUCTIONS

FOR 1500 POCKET DOOR  
FRAMES ONLY

## 1575 PPK3 POCKET DOOR FRAME ADAPTOR KIT FOR 1 3/4" THICK DOORS



Before assembling split jambs to header, snap nylon spacer pads onto top end of each jamb. (Small pins fit into nailer slots and hold spacers in place.) Nail jambs into place as instructed in 1500 assembly instructions.



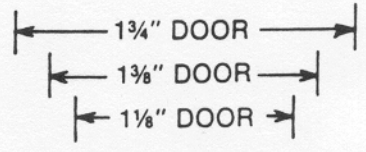
L.E. JOHNSON PRODUCTS, INC. • 2100 STERLING AVE.  
ELKHART, IN 46516 USA • 219-293-5664 IN1575AK

Discard standard (1 3/8") Floor Brackets and replace with 1 3/4" Floor Brackets



# INSTRUCTIONS

## # 150 Pocket Door Edge Pull



Place door on edge and brace firmly. Mark a line on edge of door 36" from bottom. Use template at right or measure carefully. Drill two 1/2" holes at least 3/4" deep. Clean out area between holes 3/4" deep. Drop Pull into slot. Make sure TOP of Pull is uppermost. Mark around edge of face plate with sharp knife and remove Pull. Use a sharp chisel to recess 3/32" deep around inside edge of these lines. When Pull fits precisely into position, fasten with screws provided.

