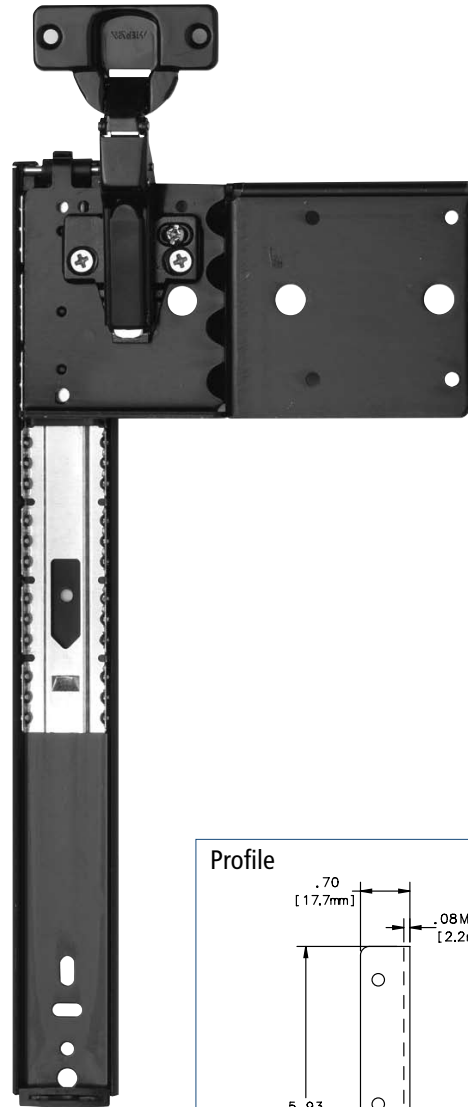


8070,8071,8072 EZ Pivot Door Slide

Number	8070EZ 3/4 Extension Slide Packaged With Self-Close 35mm Hinge 8071EZ 3/4 Extension Slide Packaged Without Hinge and Base 8072EZ 3/4 Extension Slide Packaged With Attached Hinge Base																	
Mounting	Side																	
Action	Ball Bearing Movement																	
Load Rating	30-Pound Class																	
Maximum Dimensions	Horizontal Pivot Doors: 24" High x 48" Wide Vertical Doors: 42" High x 24" Wide																	
Clearance	Maximum Slide Width Including Hinges:																	
	<table border="1"> <thead> <tr> <th>Type</th> <th>Standard</th> <th>Salice</th> </tr> </thead> <tbody> <tr> <td>Self-Close Hinge</td> <td>1-23/32"</td> <td>1-21/32"</td> </tr> <tr> <td>Free-Swing Hinge</td> <td>1-23/32"</td> <td>1-21/32"</td> </tr> <tr> <td>Overlay Hinge</td> <td>1-23/32"</td> <td>1-7/8"</td> </tr> <tr> <td>Thick Door Hinge</td> <td>2-3/32"</td> <td></td> </tr> <tr> <td>Extra-Thick Door Hinge</td> <td>2-13/32"</td> <td>2-5/16"</td> </tr> </tbody> </table>	Type	Standard	Salice	Self-Close Hinge	1-23/32"	1-21/32"	Free-Swing Hinge	1-23/32"	1-21/32"	Overlay Hinge	1-23/32"	1-7/8"	Thick Door Hinge	2-3/32"		Extra-Thick Door Hinge	2-13/32"
Type	Standard	Salice																
Self-Close Hinge	1-23/32"	1-21/32"																
Free-Swing Hinge	1-23/32"	1-21/32"																
Overlay Hinge	1-23/32"	1-7/8"																
Thick Door Hinge	2-3/32"																	
Extra-Thick Door Hinge	2-13/32"	2-5/16"																
Finish	Ebony Black (EB)																	
Key Features	<ul style="list-style-type: none"> Cabinet acts as installation jig Cushioned stops and door hold-out 3-way adjustable door hinge Follower strip is attached to slide bracket 																	

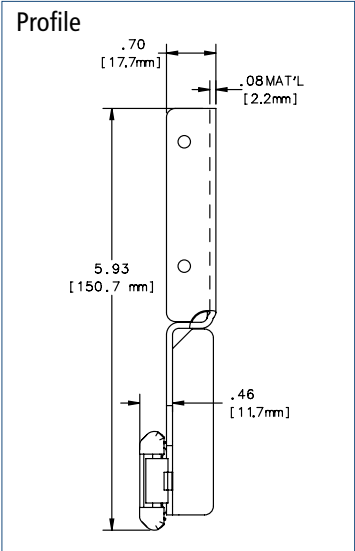


Size, Finish, & Pack Availability

Available Pack Configurations		Screws
Poly (P)	1 Set per Bag; 10 Sets per Carton.	Yes

8070EZ Ebony Black (EB) Finish	8071EZ Ebony Black (EB) Finish	8072EZ Ebony Black (EB) Finish
Includes Hinges and Bases	No Hinges or Bases	Hinge Base Only
Size Poly (P)	Size Poly (P)	Size Poly (P)
12 in. 8070PEZ EB 12	12 in. 8071PEZ EB 12	12 in. 8072PEZ EB 12
14 in. 8070PEZ EB 14	14 in. 8071PEZ EB 14	14 in. 8072PEZ EB 14
16 in. 8070PEZ EB 16	16 in. 8071PEZ EB 16	16 in. 8072PEZ EB 16
18 in. 8070PEZ EB 18	18 in. 8071PEZ EB 18	18 in. 8072PEZ EB 18
20 in. 8070PEZ EB 20	20 in. 8071PEZ EB 20	20 in. 8072PEZ EB 20
22 in. 8070PEZ EB 22	22 in. 8071PEZ EB 22	22 in. 8072PEZ EB 22
24 in. 8070PEZ EB 24	24 in. 8071PEZ EB 24	24 in. 8072PEZ EB 24

Recommended Fasteners	KV Part	Finish	Qty.
#6 x 13/32" Phillips Panhead	1300-23	Zinc (ZC)	1000



Compatible Hinges

Standard Hinge Kits

Available Pack Configurations	
Kit	2 Hinges per Kit, 10 Kits per Carton.

Nickel Hinges (for use with 8072)			Ebony Black (EB) Hinges (for use with 8072)		
Model Number	Hinge Cup Size	Door Thickness	Model Number	Hinge Cup Size	Door Thickness
8080HKEZS	35mm	3/4"	8080HKEZS EB	35mm	3/4"
8080HKEZL	40mm	3/4" Overlay	8080HKEZL EB	40mm	3/4" Overlay
8080HKEZF	35mm	3/4" Free Swing	8080HKEZF EB	35mm	3/4" Free Swing
8085HKEZT	40mm	1"	8085HKEZT EB	40mm	1"
8086HKEZX	40mm	1-1/4"	8086HKEZX EB	40mm	1-1/4"

Salice Hinge Kits

Available Pack Configurations (For use with 8071P EZ)	
Kit (K)	2 Hinges and 2 Hinge Bases per Kit, 10 Kits per Carton

Salice Hinges (for use with 8071P EZ) Nickel Finish			Salice Hinges (for use with 8071P EZ) Black (BLK) Finish		
Model Number	Hinge Cup Size	Door Thickness	Model Number	Hinge Cup Size	Door Thickness
8080 HKS SAL	35mm	3/4"	8080 HKS SAL EB	35mm	3/4"
8080 HKF SAL	35mm	3/4" Free Swing	8080 HKL SAL EB	40mm	3/4" Overlay
8080 HKL SAL	40mm	3/4" Overlay	8086 HKX SAL EB	40mm	1-1/4" Door
8086 HKX SAL	40mm	1-1/4" Door			

Roller

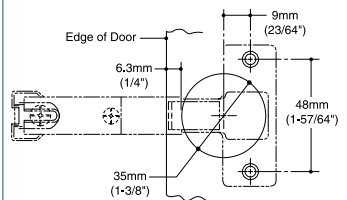
8090P CR Raised Panel Cassette Roller



- Additional protection for raised panel doors

Product	Pack
8090P CR	1 per Poly Pack w/screws

Hinge Configuration



KV Pack Availability Code

Stock Item	Special Order
------------	---------------

KV
KNAPE & VOGT
800.253.1561
www.kv.com

012041/0308

Pocket Door Slides

8070
8071
8072

36

For additional information on our Salice Hinge offerings, please see page 40.