

1300, 1305, 1315, 1375-1378 Drawer Slides

Number	1300 3/4 Extension Slide
	1305 3/4 Extension V-Notch Wraparound Drawer Slide
Mounting Action	1315 3/4 Extension V-Notch Wraparound Drawer Slide
	1375 3/4 Extension Self Closing V-Notch Wraparound Slide
Load Rating	1376 3/4 Extension Self Closing V-Notch Wraparound Slide
	1377 3/4 Extension Self Closing V-Notch Wraparound Slide
Height	1378 3/4 Extension Self Closing V-Notch Wraparound Slide
	Side
Clearance Finish	Ball Bearing Rollers
	75 Lbs. —1300, 1315, 1375, 1376, 1377, 1378
Key Features	100 Lbs. —1305
	3" —(1300, 1305, 1315, 1376, 1378)
Key Features	2-1/4" —(1375, 1377)
	1/2" plus 1/32" minus 0" each side
Key Features	Almond (ALM), White (WH), Zinc (ZC)
	<ul style="list-style-type: none"> Ball bearing movement Positive stop lever Stay close design

Size, Finish, & Pack Availability

Available Pack Configurations		Screws
Bulk (B)	10 Sets per Carton	No
Poly (P)	1 Set per Bag; 10 Sets per Carton	Yes
Quantity (Q)	50 Sets; Multiple Cartons	No

1300 Almond (ALM) Finish			
Size	Bulk (B)	Poly (P)	Quantity (Q)
12 in.	1300B ALM 12	1300P ALM 12	1300Q ALM 12
14 in.	1300B ALM 14	1300P ALM 14	1300Q ALM 14
16 in.	1300B ALM 16	1300P ALM 16	1300Q ALM 16
18 in.	1300B ALM 18	1300P ALM 18	1300Q ALM 18
20 in.	1300B ALM 20	1300P ALM 20	1300Q ALM 20
22 in.	1300B ALM 22	1300P ALM 22	1300Q ALM 22
24 in.	1300B ALM 24	1300P ALM 24	1300Q ALM 24
26 in.	1300B ALM 26	1300P ALM 26	1300Q ALM 26

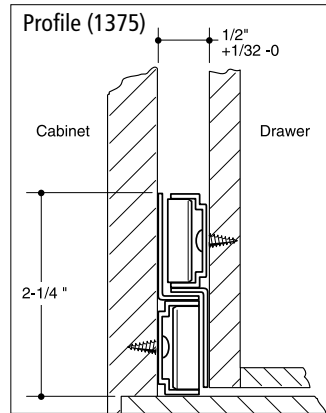
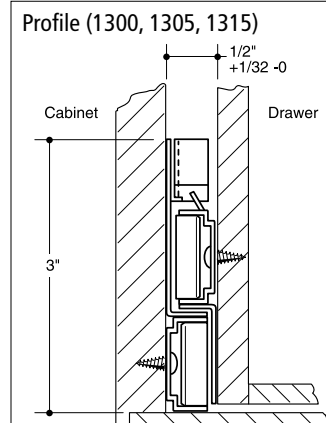
1300 White (WH) Finish			
Size	Bulk (B)	Poly (P)	Quantity (Q)
12 in.	1300B WH 12	1300P WH 12	1300Q WH 12
14 in.	1300B WH 14	1300P WH 14	1300Q WH 14
16 in.	1300B WH 16	1300P WH 16	1300Q WH 16
18 in.	1300B WH 18	1300P WH 18	1300Q WH 18
20 in.	1300B WH 20	1300P WH 20	1300Q WH 20
22 in.	1300B WH 22	1300P WH 22	1300Q WH 22
24 in.	1300B WH 24	1300P WH 24	1300Q WH 24
26 in.	1300B WH 26	1300P WH 26	1300Q WH 26

1300 Combinations		
Size	Product	Finish
18 in. x 20 in.	1300BSW18002000	Zinc (ZC)
20 in. x 22 in.	1300BSW20002200	Zinc (ZC)
20 in. x 22-3/4 in.	1300BSW20002275	Zinc (ZC)

1300 Zinc (ZC) Finish			
Size	Bulk (B)	Poly (P)	Quantity (Q)
12 in.	1300B ZC 12	1300P ZC 12	1300Q ZC 12
14 in.	1300B ZC 14	1300P ZC 14	1300Q ZC 14
16 in.	1300B ZC 16	1300P ZC 16	1300Q ZC 16
18 in.	1300B ZC 18	1300P ZC 18	1300Q ZC 18
20 in.	1300B ZC 20	1300P ZC 20	1300Q ZC 20
22 in.	1300B ZC 22	1300P ZC 22	1300Q ZC 22
24 in.	1300B ZC 24	1300P ZC 24	1300Q ZC 24
26 in.	1300B ZC 26	1300P ZC 26	1300Q ZC 26
28 in.	1300B ZC 28	1300P ZC 28	1300Q ZC 28

Special Order Slides		
Product	Bulk (B)	Finish
1305	Special Order	Zinc (ZC)
1315	Special Order	Zinc (ZC)
1375	Special Order	Zinc (ZC)
1376	Special Order	Zinc (ZC)
1377	Special Order	Zinc (ZC)
1378	Special Order	Zinc (ZC)

Recommended Fasteners	KV Part	Finish	Qty.
#6 x 13/32" Phillips Panhead	1300-83	Zinc (ZC)	1000

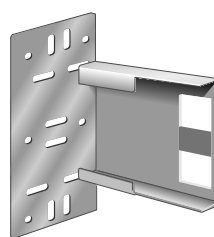
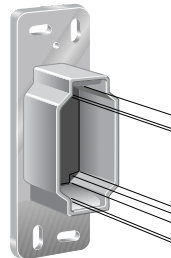
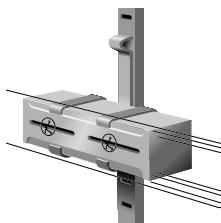


Brackets

1303 Vertically Adjustable Side Mounting Bracket

1123 PLAS Plastic Rear Mounting Bracket

1304 Metal Rear Mounting Bracket



- Optional bracket used with pilaster strips (KV# 255, 233) mounted within the cabinet.
- Allows slide to be adjusted vertically when changes in drawer height are necessary.

- For Use with Combination Length Slides

- For Use with Combination Length Slides

Product	Pack
1303	100 Per Carton

Product	Pack
1123 PLAS	500 per Carton

Product	Pack
1304	100 per Carton

KV Pack Availability Code

Stock Item
Special Order

