

Medium-Duty

100 lb. Load Class

1/2" Side Clearance

Max. Drawer Width: 24"



GS4270 Soft-Close Drawer Slide

Manufactured by KV Asia in Tapei, Taiwan, KV GSlide is our best-in-class ball-bearing import slide. It is a favorite of cabinet makers with cost sensitive projects who are looking for high-quality, consistent soft-close performance. The KV GS4270 Series 100 lb. Soft-Close drawer slide offers the latest in soft-close technology, delivering an ultra-smooth slide operation and a high-quality soft-close dampening effect.

Applications

- Wood residential and commercial furniture
- Architectural, laboratory and school casework
- Store fixtures and displays
- Storage drawers

Specifications

Model: GS4270 Soft-Close Drawer Slide

Mounting: Side

Disconnect: Lever

Material: Steel

Hole Pattern: 32mm and Traditional

Type: Ball-Bearing

Travel: Full Extension: 16"-28"

Less than Full Extension: 12" = 8.4" Extension; 14" = 11.9" Extension

Finish: Zinc (ZC)

Length: 300mm, 350mm, 400mm, 450mm,
500mm, 550mm, 600mm, 650mm, 700mm

Clearance: .50" + .03"-0" on each side

Height: 1.79" [45.5mm]

Packaging: 10 Pair and 1 set of instructions per box

Action: Telescopic movement on ball-bearings

Side Configuration: Unhanded

Rating

Load: 100 lb.

Max. Recommended Drawer Width: 24"

As with all Knap & Vogt drawer slides, the GS4270 is designed to meet or exceed performance standards as established by BIFMA, BHMA and KCMA

Accessories

GS4340 RB: Metal Rear Mounting Bracket (not included)

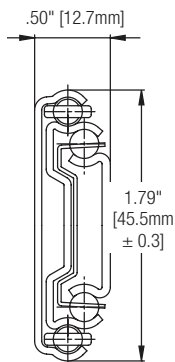
Hardware

#7 x 1/2" Phillips Pan Head

Warranty

Limited Lifetime Warranty

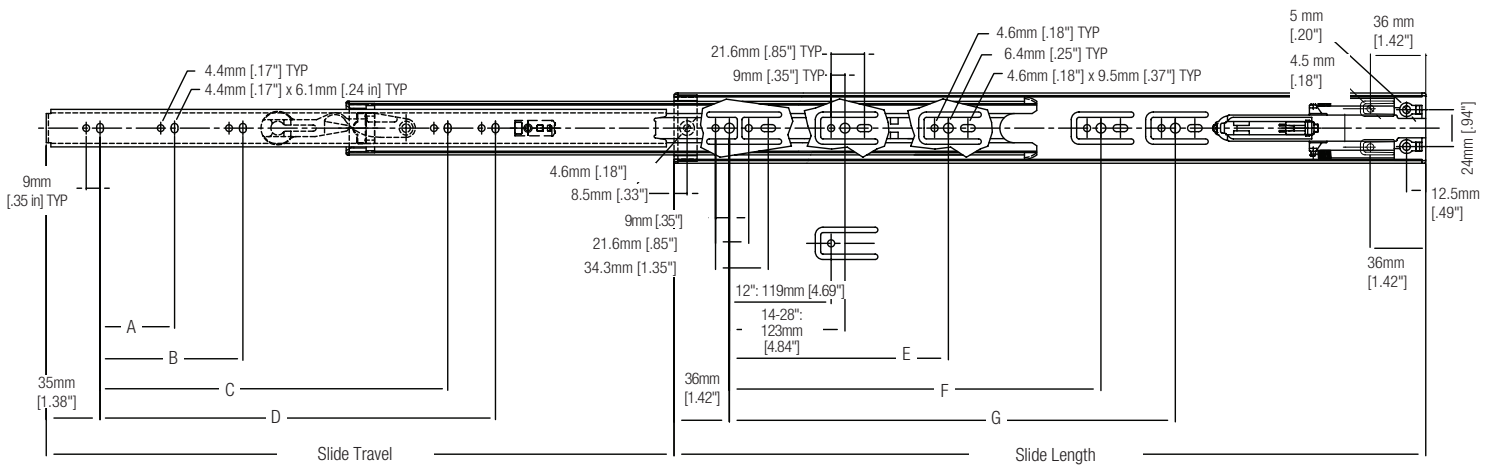
Profile



Clearance

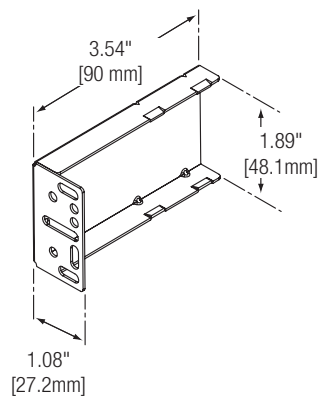
1/2" + 1/32"-0"
.50" + .03"- 0"
12.7mm + .8mm - 0mm

Charted Information



| SKU Number | Slide Size mm/inch | Length mm/inch | Travel mm/inch | A mm/inch | B mm/inch | C mm/inch | D mm/inch | E mm/inch | F mm/inch | G mm/inch |
|------------|--------------------|----------------|----------------|---------------|---------------|----------------|----------------|----------------|----------------|----------------|
| GS4270 12 | 300mm [12"] | 300mm [11.8"] | 213mm [8.39"] | — | — | — | 156mm [6.14"] | — | — | — |
| GS4270 14 | 350mm [14"] | 350mm [13.78"] | 303mm [11.93"] | — | — | — | 200mm [7.87"] | — | — | — |
| GS4270 16 | 400mm [16"] | 400mm [15.75"] | 404mm [15.90"] | 96mm [3.78"] | — | — | 256mm [10.08"] | 208mm [8.19"] | — | — |
| GS4270 18 | 450mm [18"] | 450mm [17.72"] | 455mm [17.91"] | 128mm [5.04"] | — | — | 294mm [11.57"] | 256mm [10.08"] | — | — |
| GS4270 20 | 500mm [20"] | 500mm [19.69"] | 505mm [19.88"] | 96mm [3.78"] | 160mm [6.29"] | — | 344mm [13.54"] | 304mm [11.97"] | — | — |
| GS4270 22 | 550mm [22"] | 550mm [21.65"] | 555mm [21.85"] | 96mm [3.78"] | 160mm [6.29"] | — | 394mm [15.51"] | 224mm [8.82"] | 352mm [13.86"] | — |
| GS4270 24 | 600mm [24"] | 600mm [23.62"] | 605mm [23.82"] | 128mm [5.04"] | 192mm [7.56"] | — | 444mm [17.48"] | 224mm [8.82"] | 352mm [13.86"] | — |
| GS4270 26 | 650mm [26"] | 650mm [25.59"] | 655mm [25.79"] | 128mm [5.04"] | 224mm [8.82"] | 416mm [16.38"] | 494mm [19.45"] | 224mm [8.82"] | 352mm [13.86"] | 448mm [17.64"] |
| GS4270 28 | 700mm [28"] | 700mm [27.56"] | 705mm [27.76"] | 128mm [5.04"] | 224mm [8.82"] | 480mm [18.90"] | 544mm [21.42"] | 224mm [8.82"] | 352mm [13.86"] | 496mm [19.53"] |

Less than Full Extension: 12" = 8.4" Extension; 14" = 11.9" Extension



GS4340 RB Metal Rear Bracket



KNAPE & VOGT.
 2700 Oak Industrial Dr. NE
 Grand Rapids, MI 49505-6026 USA
 1.800.253.1561 | 616.459.3311
 Fax: 877.636.3290
 www.kv.com

Manufactured by Knape & Vogt Asia / Taipei, Taiwan. Distributed by Knape & Vogt Manufacturing Company.

This and other KV literature is available for download at www.kv.com > Resource Library.

Knape & Vogt reserves the right to change product specifications at any time without notice and without incurring responsibility for existing units.

©2016 Knape & Vogt. KV GSlide. KV and the KV logo are trademarks of Knape & Vogt.

OL2262_REV-A_0818