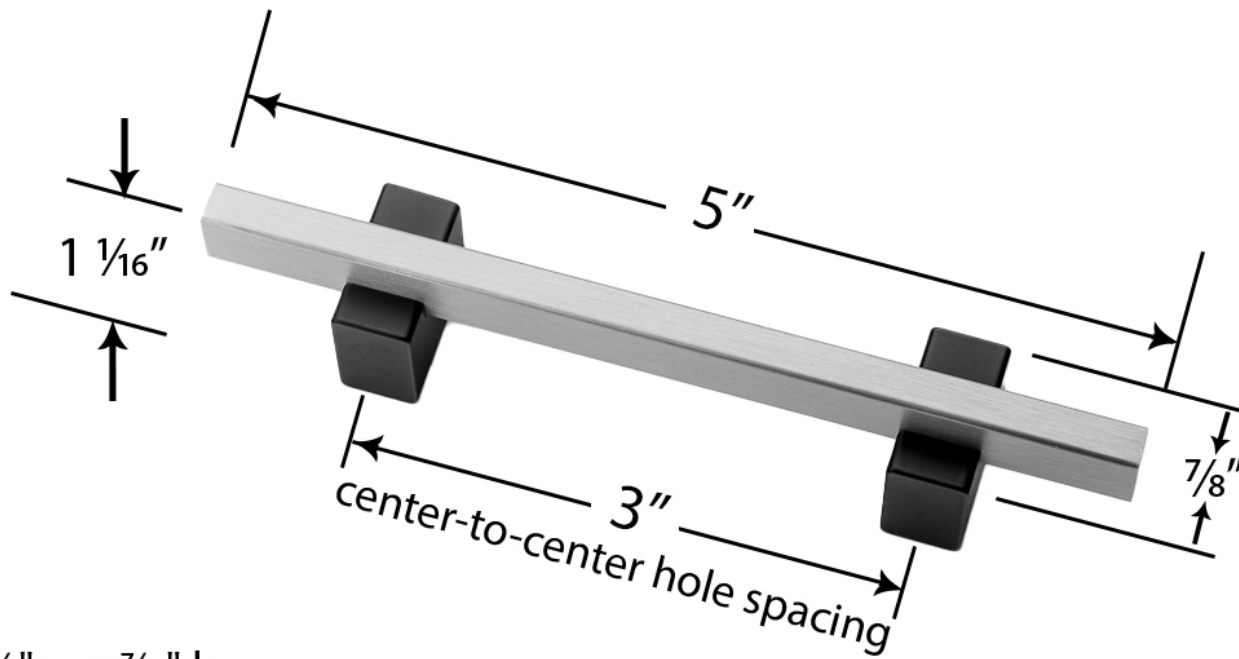


**Bar:**  $\frac{1}{4}$ " W X  $\frac{7}{16}$ " h

**Post Base:**  $\frac{3}{8}$ " W X  $\frac{7}{8}$ " l X  $\frac{3}{4}$ " h

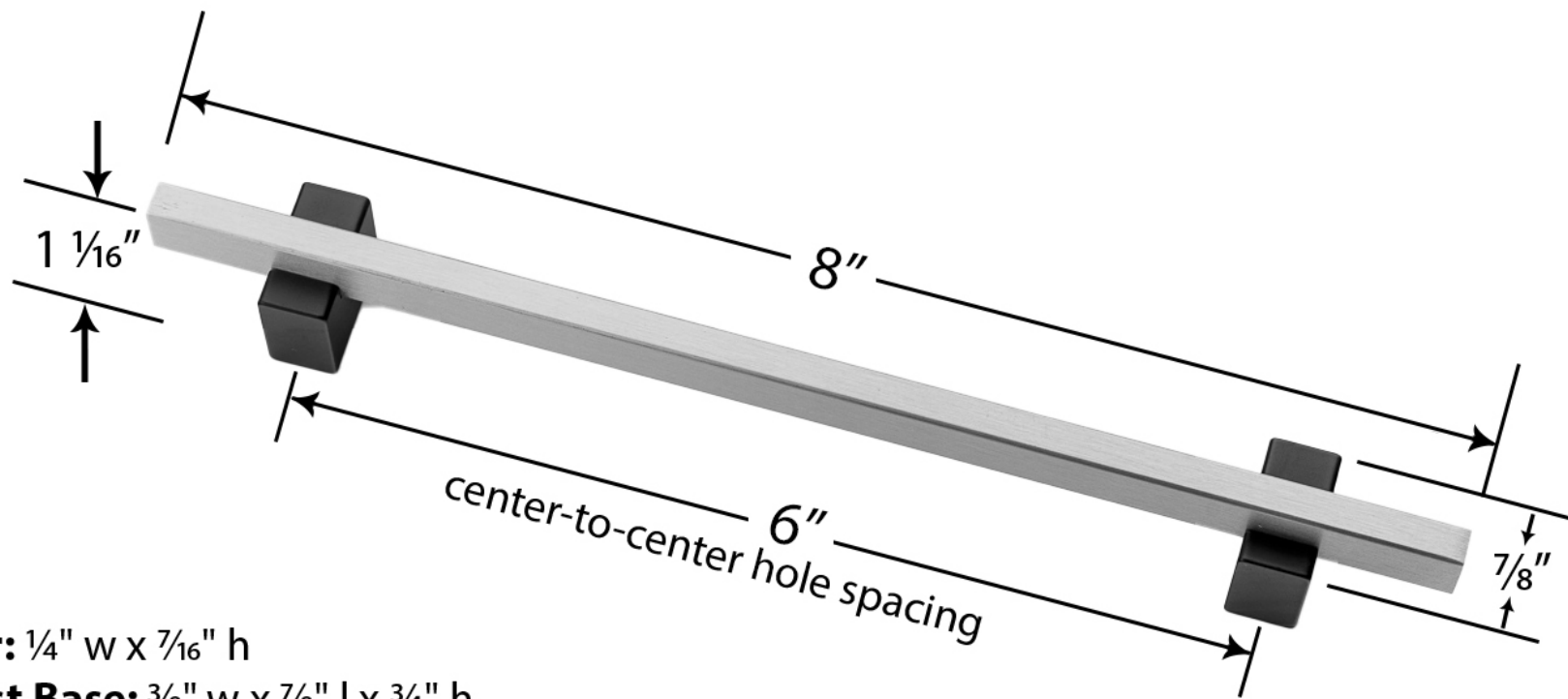
31-211, 31-311, 31-511



**Bar:**  $\frac{1}{4}$ " w x  $\frac{7}{16}$ " h

**Post Base:**  $\frac{3}{8}$ " w x  $\frac{7}{8}$ " l x  $\frac{3}{4}$ " h

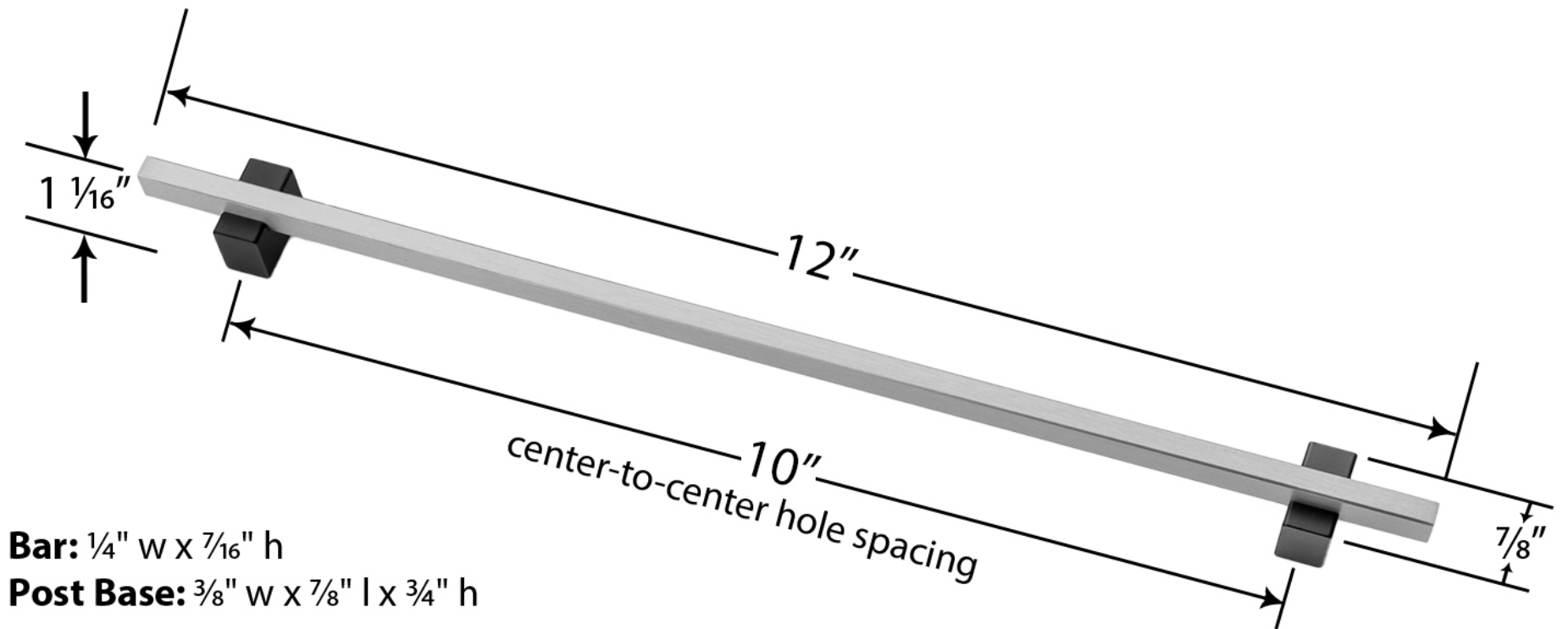
31-212, 31-312, 31-512



**Bar:**  $\frac{1}{4}$ " w x  $\frac{7}{16}$ " h

**Post Base:**  $\frac{3}{8}$ " w x  $\frac{7}{8}$ " l x  $\frac{3}{4}$ " h

31-213, 31-313, 31-513



31-214, 31-314, 31-514