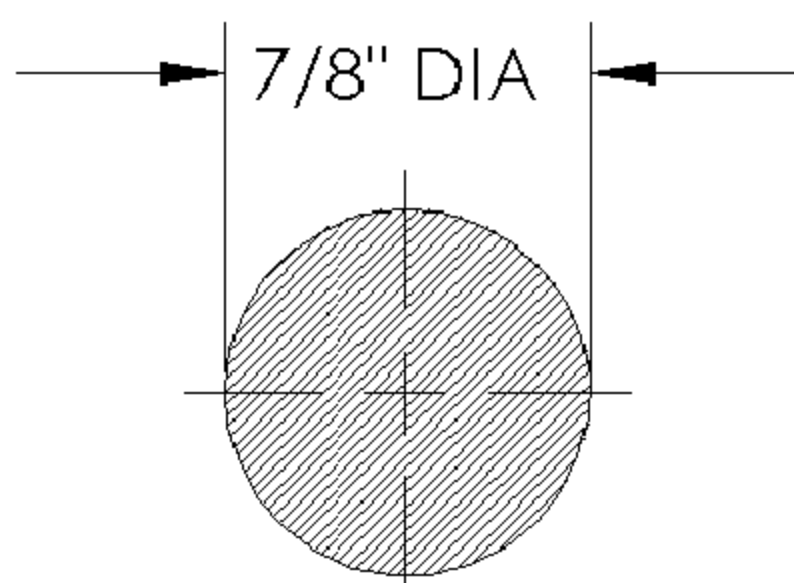
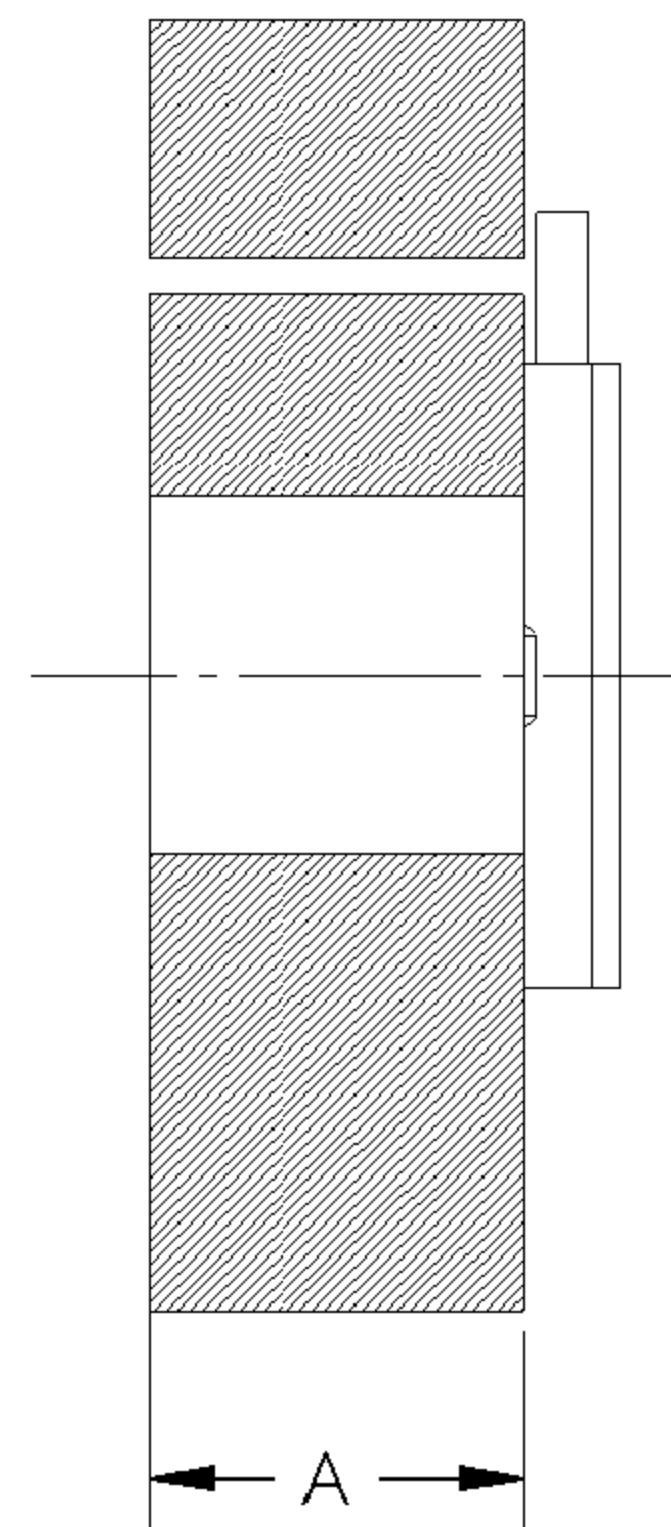
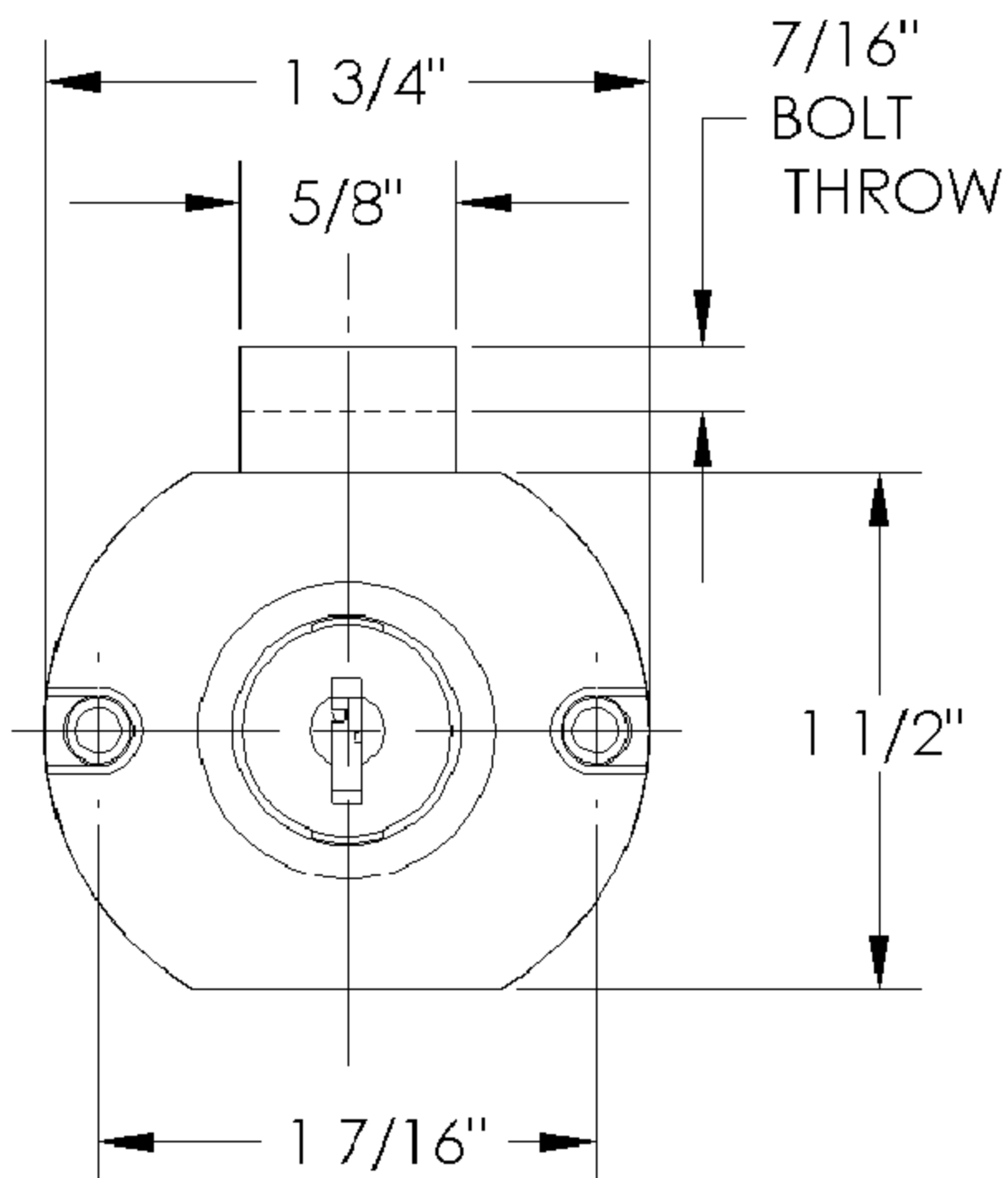
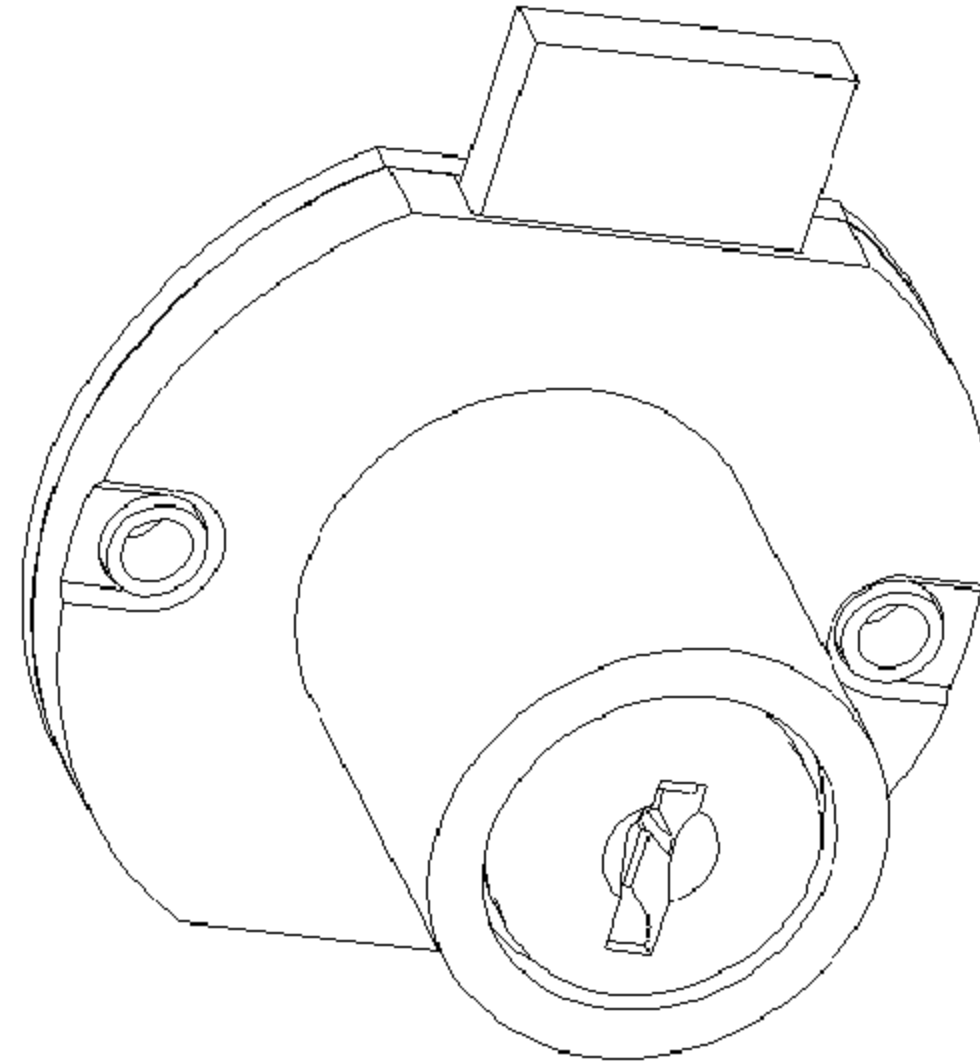


STOCK LOCKS

Manufactured by

NATIONAL 
CABINET LOCK

C8703/C8705 DISC TUMBLER DRAWER LOCK



MOUNTING HOLE

LOCK	A
C8703	.900"
C8705	1.200"