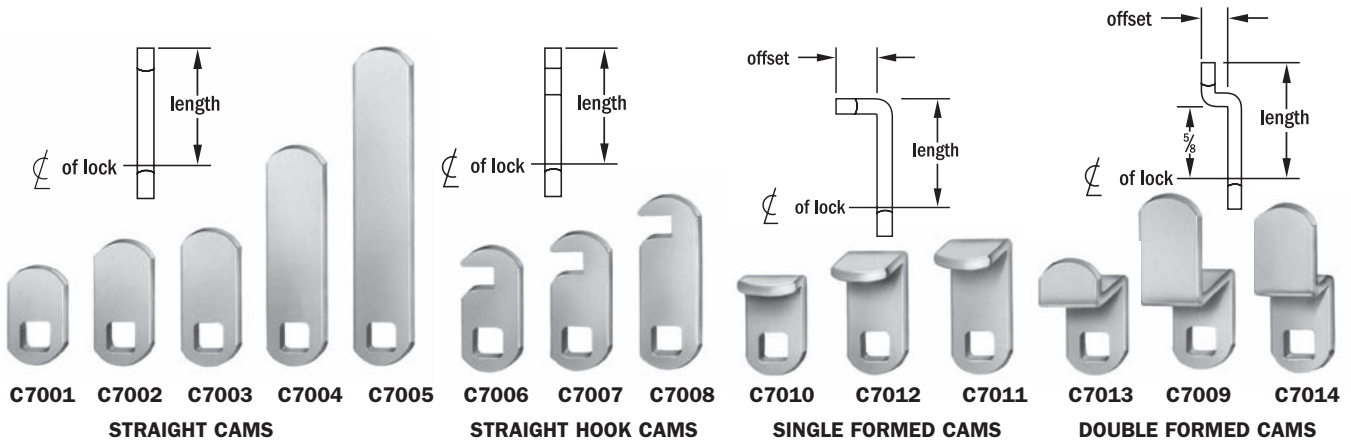


# disc tumbler cams



.284" mounting hole for all disc tumbler cams

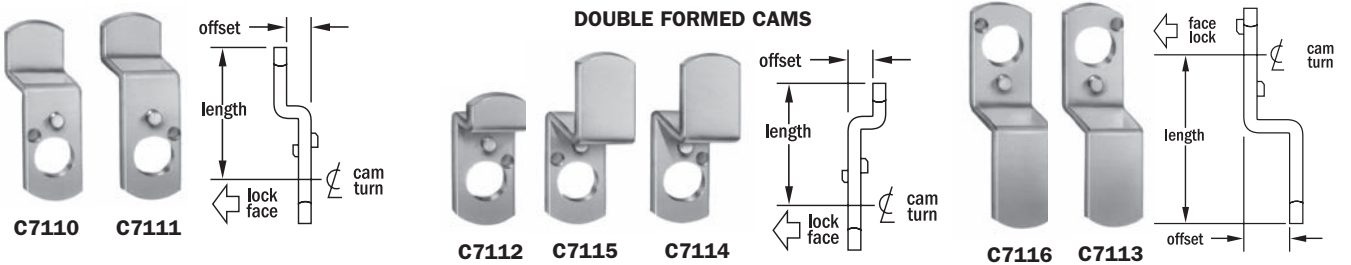
Selection of cams that permit adaption of disc tumbler cylinder cam locks to meet nearly every application need.

Straight Hook Cams and Double Formed Cams can be reversed when required.

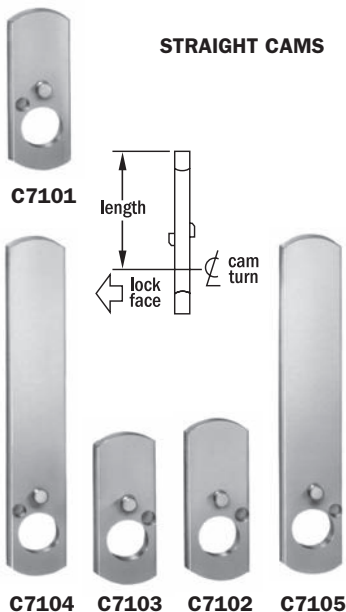
Part No.	Description	Length	Quantity Per Bag	Part No.	Description	Length	Offset	Quantity Per Bag
C7001-2C	Straight Cam	3/4"	25	C7008-2C	Straight Hook Cam	1-1/2"	—	25
C7002-2C	Straight Cam	1"	25	C7009-2C	Double Formed Cam	1-3/4"	1/2"	25
C7003-2C	Straight Cam	1-1/8"	25	C7010-2C	Single Formed Cam	5/8"	7/32"	25
C7004-2C	Straight Cam	2"	25	C7011-2C	Single Formed Cam	1-1/8"	7/16"	25
C7005-2C	Straight Cam	3"	25	C7012-2C	Single Formed Cam	1"	7/16"	25
C7006-2C	Straight Hook Cam	1"	25	C7013-2C	Double Formed Cam	1-1/8"	3/8"	25
C7007-2C	Straight Hook Cam	1-1/8"	25	C7014-2C	Double Formed Cam*	1-5/8"	5/16"	25

\*For overlay construction using 3/4" thick front and 3/4" thick frame material. Use with C8053 disc tumbler lock.

# pin tumbler cams



Cams for pin tumbler cylinder cam locks. All cams have dual function. See "Applications" column in table for details.



Applications: solid lines show locked position of cam	Position of shifter on back of lock	Part Number	Description	Length	Offset	Quantity Per Bag
		C7101-2C	Straight Cam	1-1/4"	—	20
		C7104-2C	Straight Cam	3"	—	20
		C7110-2C	Double Formed Cam	1-1/4"	9/32"	20
		C7115-2C	Double Formed Cam*	1-5/8"	7/16"	20
		C7102-2C	Straight Cam	1-1/4"	—	20
		C7103-2C	Straight Cam	1-1/8"	—	20
		C7105-2C	Straight Cam	3"	—	20
		C7111-2C	Double Formed Cam	1-1/4"	9/32"	20
		C7112-2C	Double Formed Cam	1-1/8"	1/4"	20
		C7114-2C	Double Formed Cam*	1-5/8"	7/16"	20
		C7113-2C	Double Formed Cam*	1-5/8"	7/16"	20
		C7116-2C	Double Formed Cam*	1-5/8"	7/16"	20

\*For overlay construction using 3/4" thick front and 3/4" thick frame material. Use with C8102 pin tumbler locks.

**Note:** Order by number of pieces, not by bag. Full bags only. Orders must be in multiples of 25 or 20 pieces.