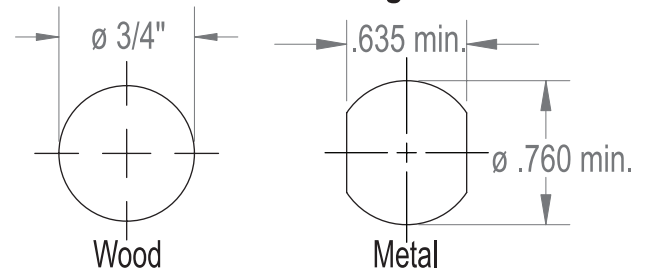


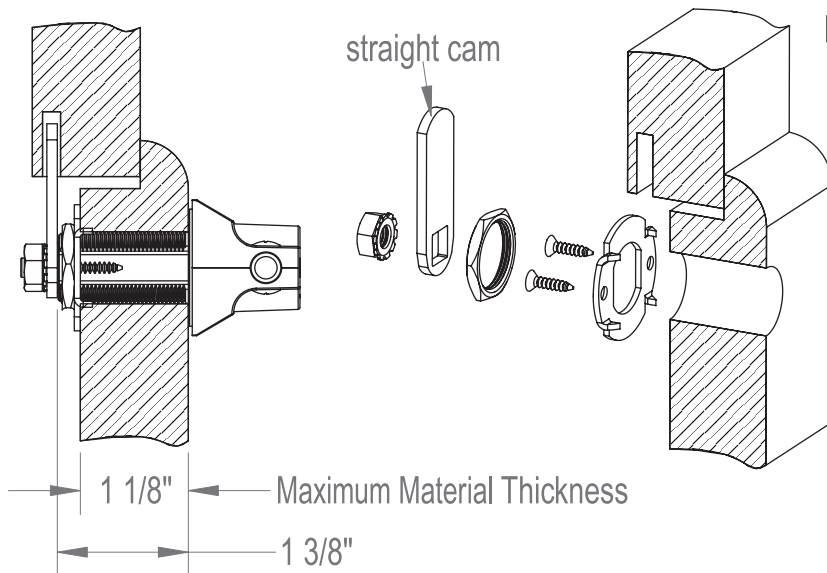
D8031 Combination cam lock assembly

- 5 disc tumbler plug or combination operated
- 1-3/8" cylinder
- 1-15/16" straight cam
- 1-15/16" x 7/32" offset cam
- 1-15/16" x 19/32" offset cam

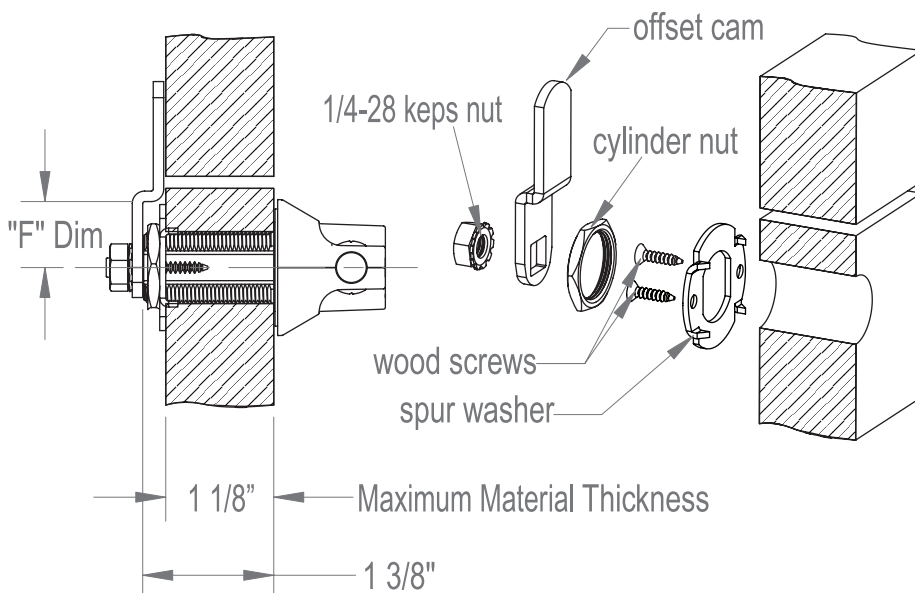
Recommended mounting hole sizes



Note: Do not use spur washer with metal door or drawer



Use straight cam for overlay applications



Use offset cam for flush mount applications

Note: Flush mount applicatons must use offset cams with "f" dimension of 11/16" or greater to clear washer prong O.D.