

2022
CSPC-2201

DISC TUMBLER CASCADE SERIES™

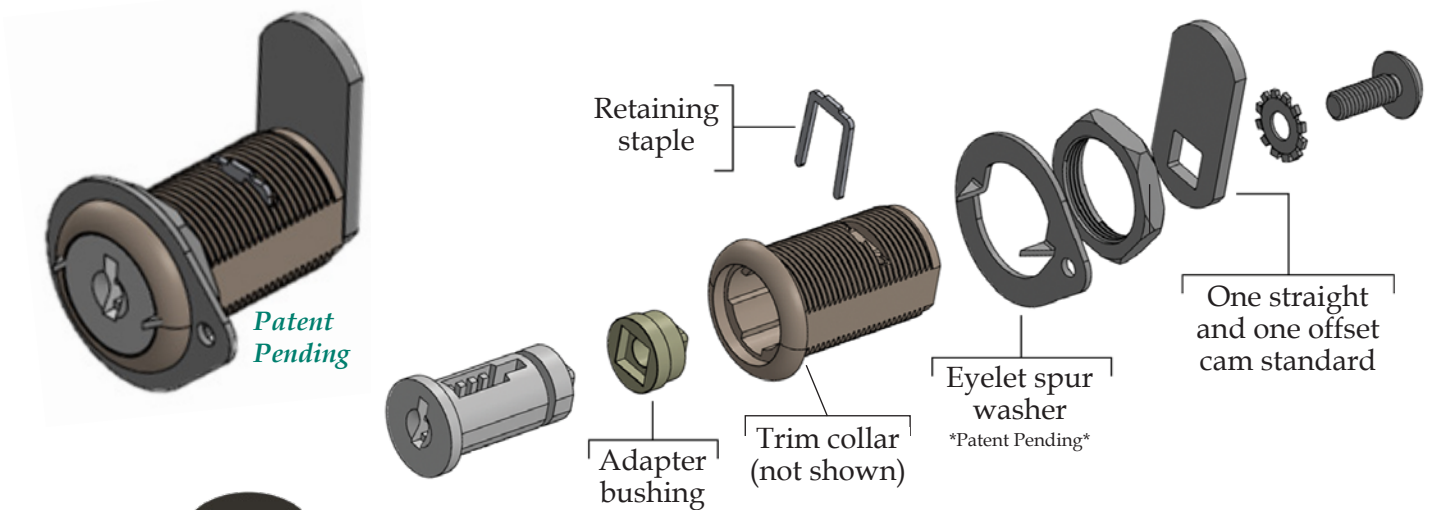


OLYMPUS®
LOCK
INC

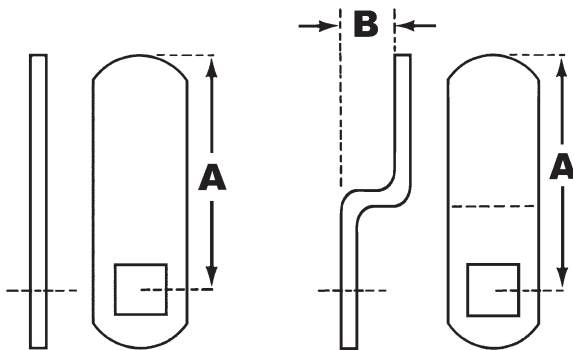
www.olympuslock.com
800-525-0954 | 206-362-3290

Purpose built to solve our customers' needs

- ▶ **Standardized plug size** — Gap filled with adapter bushing allows standardized plug to work with multiple cylinder lengths.
- ▶ **Packaged for easy installation** — Staple retains plug in cylinder, no need to locate and insert keys to install plug into cylinder. Ships without cams attached to body eliminating the need to disassemble before inserting into cabinet.
- ▶ **Anti-rotation washer** — Eyelet spur washer can be locked down with screw to prevent rotation.



Available finishes



Straight Cams

Part No.	Dim. A [length]	Description
P95-CM-1 **	1-1/2"	Straight cam
P95-CM-3	3"	Straight cam
P95-CM-5	1-1/2"	Straight hook cam
P95-CM-6	1"	Straight cam

Offset Cams

Part No.	Dim. A [length]	Dim. B [offset]	Description
P95-CM-2 **	1-1/8"	11/32"	Offset cam
P95-CM-4	1-5/8"	5/16"	Offset cam

** P95-CM-1 and P95-CM-2 are included standard with each disc tumbler cam lock. All other cams are available separately.

SPECIFICATIONS

Keying: Will key together with CompX National disc tumbler locks

Assembly: Ships with body and cylinder assembled for fast and easy installation

ANSI/BHMA: Passed ANSI/BHMA Grade 2 cycle test: 20,000 cycles, including key insertion and removal [E07262]

US Patent: Patent pending

Body: Zinc die cast

Cylinder: Zinc die cast, 5 disc tumbler

Standard function: Key removable in locked or unlocked position.

Cams: Ships with one straight and one offset cam

Spur Washer: Ships with anti-rotation, eyelet spur washer (which can be locked into place for a more secure mounting)

Finish: 14A (bright nickel) or US19 (matte black)

Packaged: Packed 15 per box, 120 per case

KEYING INFORMATION

Keyway: Cascade Series (equivalent to National 5-disc system)

Keys: Includes 2 keys per lock

Stock keying: KD (120 KD codes), MKKD (120 MKKD codes)

Stock KA#: C346A, C390A, C413A, C415A, C420A, C452A

Custom keying: MKKA or combination of MKKA/MKKD to schedule

Keyblanks:

KB-D85-C-NP Key blank (for NON-MK locks)

KB-D83-D-NP Key blank (for MK locks)

INCLUDED ACCESSORIES

Keys - 2 change keys per lock

P95-CM-1 - 1-1/2" straight cam

P95-CM-2 - 1-1/8" long with 11/32" offset cam

P95-SPW - eyelet spur washer *Patent Pending*

P95-FN-Z - fixing nut

P95-TR - trim ring

P95-CS - cam screw with star washer

P95-RS - retainer staple

P9-EXT** - plug extender (if required)

OPTIONAL ACCESSORIES

P95-CM-3 - 3" straight cam

P95-CM-4 - 1-5/8" x 5/16" offset cam

P95-CM-5 - 1-1/2" straight hook cam

P95-CM-6 - 1" straight cam

Keyblanks - KB-D83/KB-D85

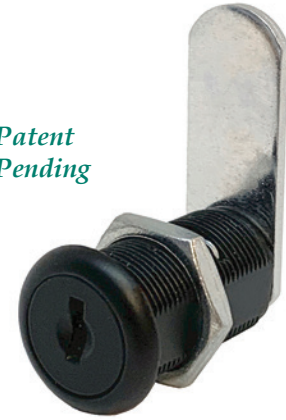
Keying Kit - D1

Passed ANSI/
BHMA A156.11
Grade 2 cycle test



(US14A)
Bright Nickel

Patent
Pending



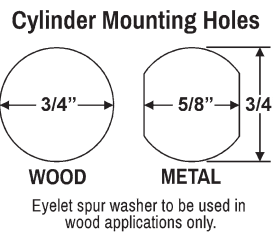
(US19)
Matte Black

Keying Options:

- KA key codes: C346A, C390A, C413A, C415A, C420A, C452A
- KD (120 KD codes), MKKD (120 MKKD codes)
- Custom Keying (MKKA or combination of MKKA/MKKD to schedule)

Item	Finish	Cylinder Length	Maximum Material Thickness	Inner Box Quantity	Case Quantity
954	14A, US19	15/16"	5/8"	15/box	120/case
953	14A, US19	1-3/16"	7/8"	15/box	120/case
955	14A, US19	1-7/16"	1-1/8"	15/box	120/case
960	14A, US19	1-3/4"	1-7/16"	15/box	120/case
961	14A, US19	2"	1-13/16"	15/box	120/case

Item	Description
KB-D85-C-NP	Key blank (for NON-MK locks)
KB-D85-C-CUST	Custom cut change key (for NON-MK locks)
KB-D83-D-NP	Key blank (for MK locks)
KB-D83-D-CUST	Custom cut change key (for MK locks)
KB-D84-E-MK	Cut master key E41A (for MK locks)
KB-D85-C346A	Cut key for stock KA #C346A
KB-D85-C390A	Cut key for stock KA #C390A
KB-D85-C413A	Cut key for stock KA #C413A
KB-D85-C415A	Cut key for stock KA #C415A
KB-D85-C420A	Cut key for stock KA #C420A
KB-D85-C452A	Cut key for stock KA #C452A



Item	Description
D1	DISC Keying Kit (KA/KD/MK)



DISC TUMBLER
CASCADE SERIES™



NOVEL DESIGN

reduces install time and saves money



UNBEATABLE

customer service, pricing, lead times



ENGINEERED

to ensure and maintain industry-leading ship times



TESTED

ANSI/BHMA grade 2 cycle test: 20,000 cycles, including key insertion and removal



CUSTOM KEY

orders will be expected to ship in 1 to 3 days



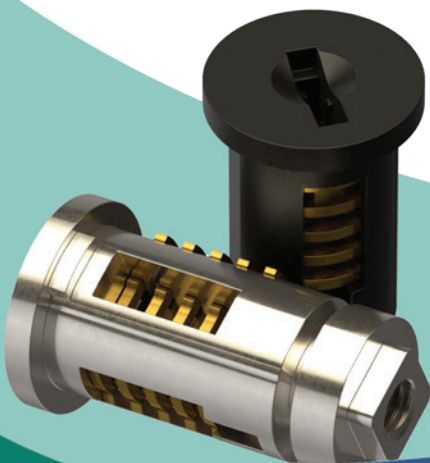
STOCK FINISHES

US14A bright nickel
US19 matte black



KEYWAY COMPATIBILITY

will key together with CompX National disc tumbler locks



**OLYMPUS
LOCK**
INC

www.olympuslock.com
800-525-0954 | 206-362-3290