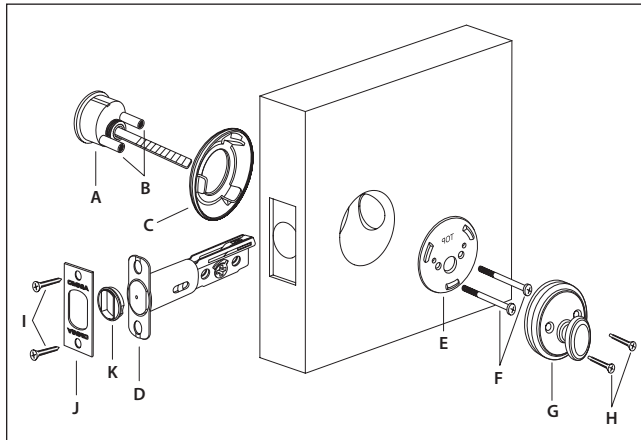


Solid Brass Auxiliary Deadbolt Instructions / Template for Single Cylinder

OMNIA

Exploded View Single Cylinder Deadbolt



Parts Enclosed:

- | | |
|--|--|
| A - Rim Cylinder | F - Rim Cylinder Hardened Thru-Bolt Screws |
| B - Standoffs | G - Inside Turnpiece and Rose |
| C - Outside Collar | H - Inside Mounting Screws (2) |
| D - Deadbolt Latch | I - #8 x 1" Sheet Metal Screws (2) |
| E - Inside Rim Cylinder Mounting Plate | J - Deadbolt Faceplate |
| | K - Deadbolt Stabilizer |

Tools Needed:

Only Required for Doors Without Cutout

If your door is not pre-bored, see instructions for door preparation below:

- 1 - Pencil
- 2 - 2 1/8" diameter hole saw
- 3 - 1/2" or 1/4" wood chisel
- 4 - Drill and assorted bits: 1/8", 5/32" and 1"

Tools Needed:

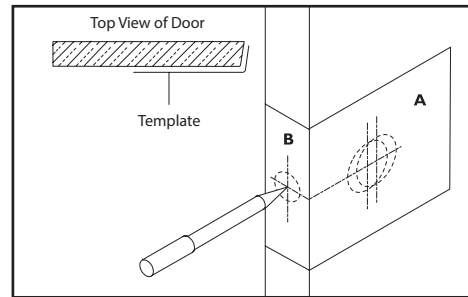
Doors Prepared with 2 1/8" Cutout

- 1 - No.2 and No.3 Phillips screwdrivers
- 2 - Measuring device
- 3 - Flathead Screwdriver

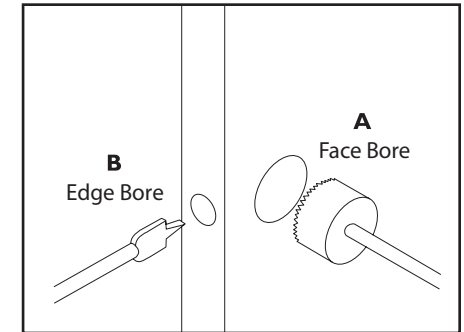
Note: See Strike Installation Section for strike parts listing.

Door Preparation and Deadbolt Installation

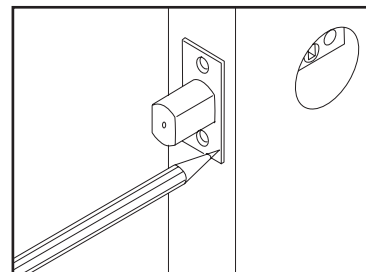
1 To position template, fold enclosed template on line and locate on door at desired height. If you have a new door that is not already cut-out, please follow these instructions. (If your door is pre-bored, please proceed to Single Cylinder



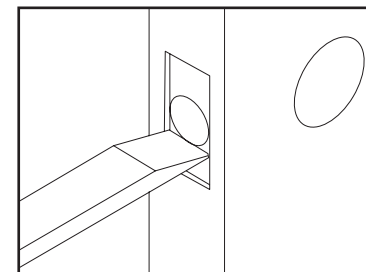
Assembly - Step 1.) If the door is beveled, place the folded edge on low side of bevel as shown in the illustration. Determine backset (2 3/8" or 2 3/4"). Mark the door for face and edge bores.



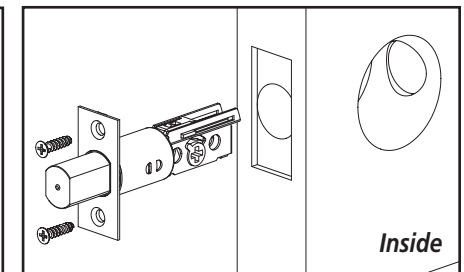
2 Drill the 2 1/8" diameter face bore (A) through the door and 1" diameter edge bore (B). Caution: Re-check hole locations before drilling.



3 Insert deadbolt into edge of door while holding faceplate. Trace the outline of faceplate onto the door edge. Mark screw hole centers and drill with a 1/8" drill.



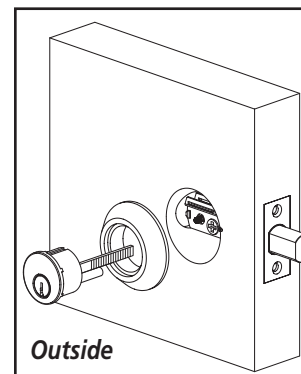
4 Chisel out the area marked for the faceplate to a depth of 5/32" or until faceplate is flush with door edge.



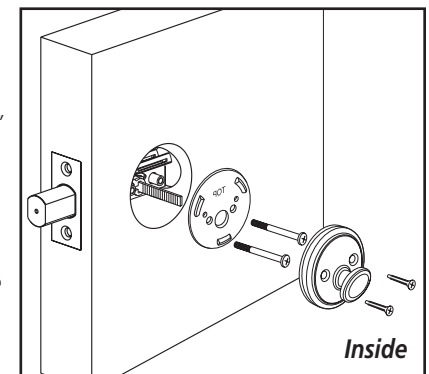
5 Install bolt in edge bore with cross hub down. Fasten bolt with two screws.

Single Cylinder Assembly

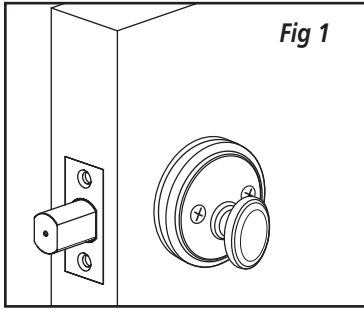
1 Insert flat blade screwdriver into deadbolt hub and extend the bolt. Keeping the tailpiece in a vertical position, insert cylinder through collar and into deadbolt hub. Key must not be in cylinder during this procedure. Hold cylinder in place on the door.



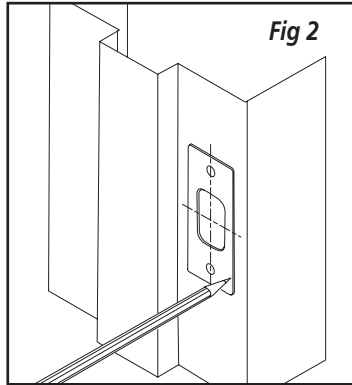
2 Place the tailpiece into the turnpiece and rose assembly, on inside of door. For 1 3/8" thick doors only, snap off breakaway screws. Install two breakaway screws. Retract the bolt to unlocked position. Install rose and turnpiece as per picture. Proceed now with strike installation.



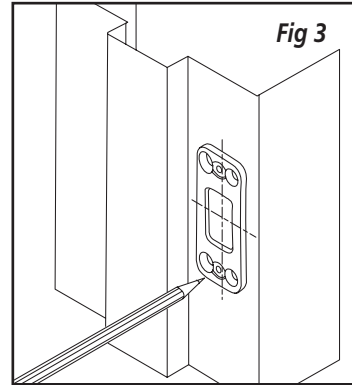
Strike Installation



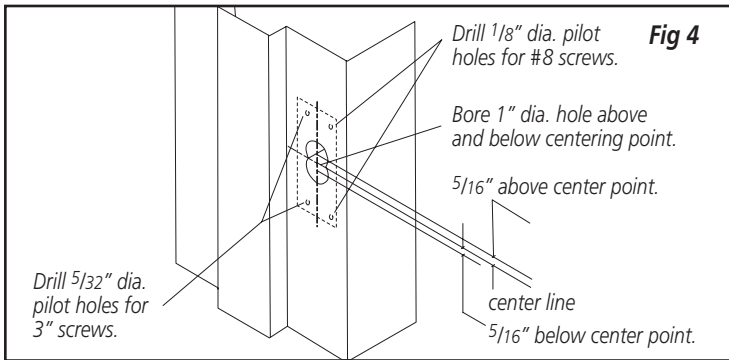
1 Close door and extend deadbolt several times against door frame. Strike centering indicator will leave a center mark on the door frame. (Fig.1)



2 Position strike plate on center mark. Align and trace outside of strike and mounting screws onto the door frame. (Fig.2)

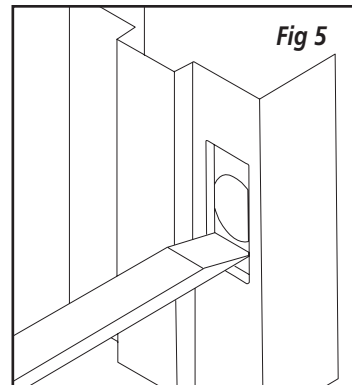
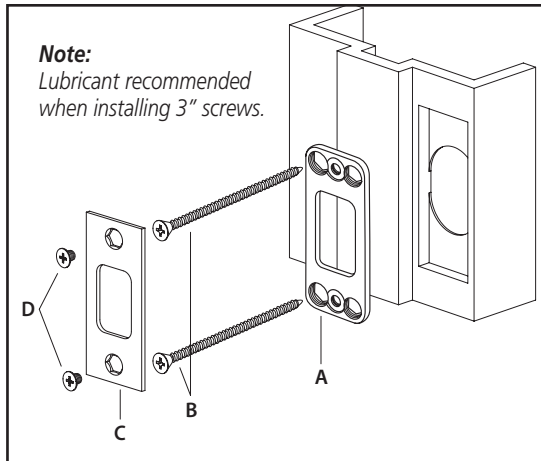


3 Using reinforcing strike as a template, mark locations for reinforcing screws. (Fig.3) Drill two $\frac{5}{32}$ " dia. pilot holes for the 3" long screws and two $\frac{1}{8}$ " dia. pilot holes for the #8 x $\frac{3}{4}$ " screws. Mark drill points $\frac{5}{16}$ " above and below centering point. Bore two 1" dia. holes $1\frac{1}{4}$ " deep at these points. (Fig.4)



5 Install Strike as Illustrated

- A - Reinforcer
- B - #10 x 3" Wood Screws (2)
- C - Strike
- D - #8 x $\frac{1}{4}$ " x 20 Machine Screws (2)



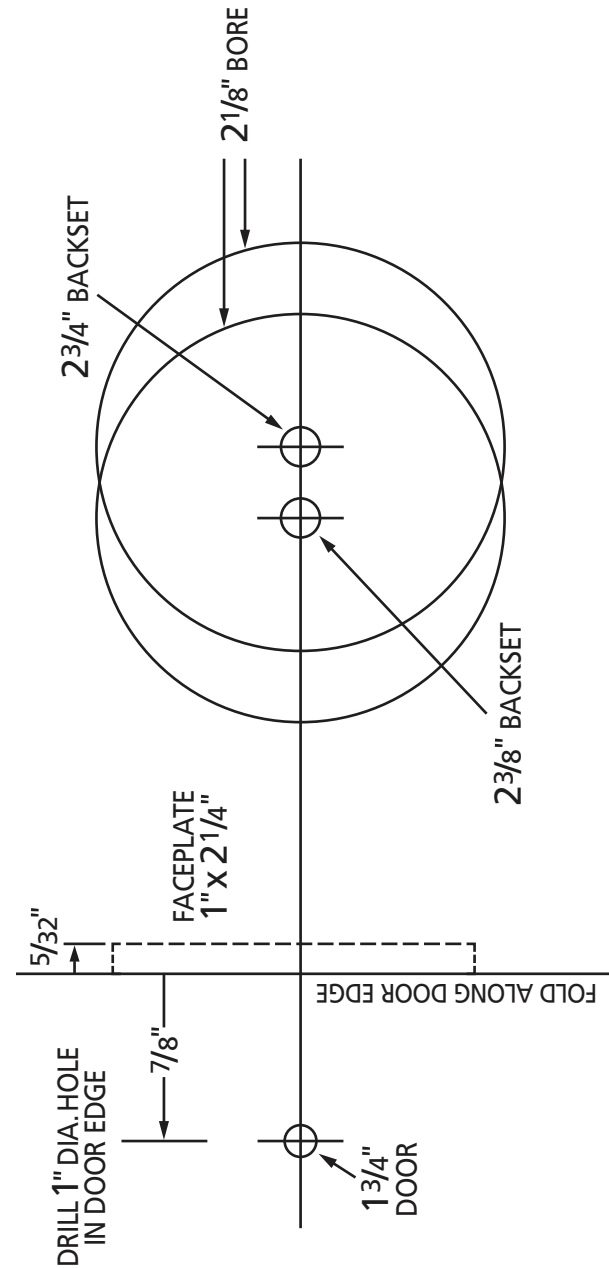
4 Mortise $\frac{7}{32}$ " deep or until the strike box, reinforcing strike and strike plate fit inside mortise and flush with the door frame. (Fig.5)

Congratulations

Your installation is now complete!

We thank you for your purchase.

DEADBOLT LATCH TEMPLATE



CAUTION: DOOR AND FRAME MANUFACTURERS
When door gasketing or silencers are used, proper allowances must be made for strike location to maintain a common centerline with lock and door so that the bolt will freely enter strike.