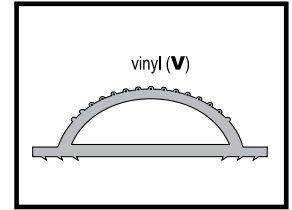


PV22GR36

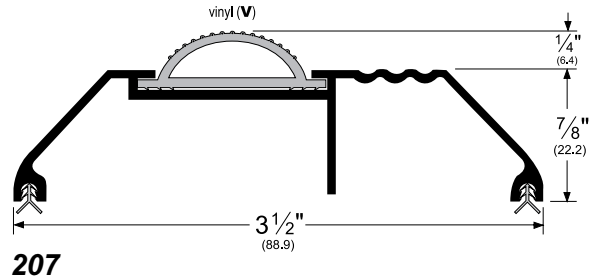
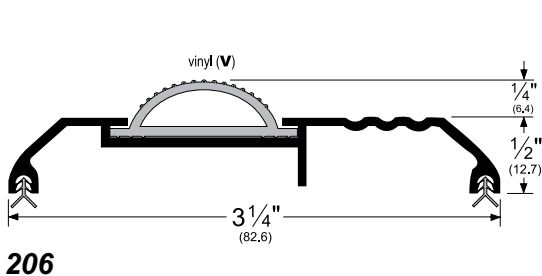


Threshold Replacement Vinyl

Use On: Vinyl Top Thresholds:

206_V, 207_V

- Renews Effectiveness of Threshold Seal
- Replaces Worn-Out Vinyl
- Saves Energy by Keeping Weather Outside



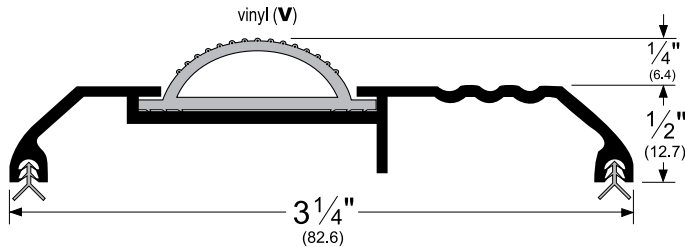
PV22GR36

Gray

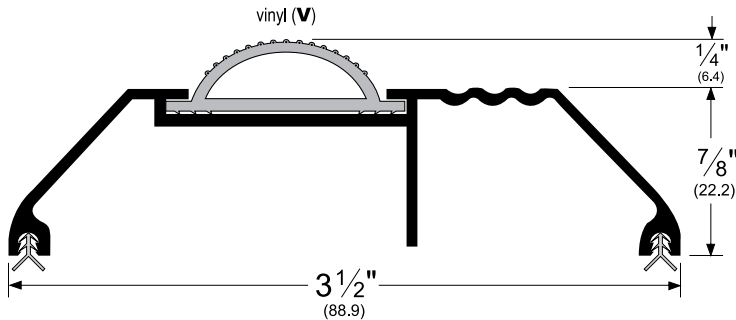


HEIGHT	WIDTH	LENGTH
1/4"	1-1/4"	36"
(6.4 mm)	(31.8 mm)	(0.9 m)

USE ON:



206



207

Installation Instructions:

1. Remove old vinyl; usually it can be pulled out with a pair of pliers. However, if necessary, it can be cut out with a knife or scissors.
2. Clean all dust and dirt out of retainer grooves which hold vinyl in place.
3. Hold flat base of replacement vinyl horizontally with curved "bubble" upward.
4. Insert one "leg" of base into one retainer groove which runs the length of the threshold.
5. Squeeze flat base upward until opposite "leg" of base can be inserted into the retainer groove which runs down the other side of the threshold. With both "legs" in their retainer grooves, the base will lay flat in the threshold as shown in drawing.



ASSA ABLOY

ASSA ABLOY, the global leader
in door opening solutions

UNITED STATES:

MEMPHIS, TN
Ph: 800.824.3018
Fax: 800.243.3656

VENTURA, CA
Ph: 800.283.9988
Fax: 800.283.4050

CANADA:

VANCOUVER, BC
Ph: 877.535.7888
Fax: 877.535.7444

TORONTO, ON
Ph: 866.243.9816
Fax: 866.243.9817