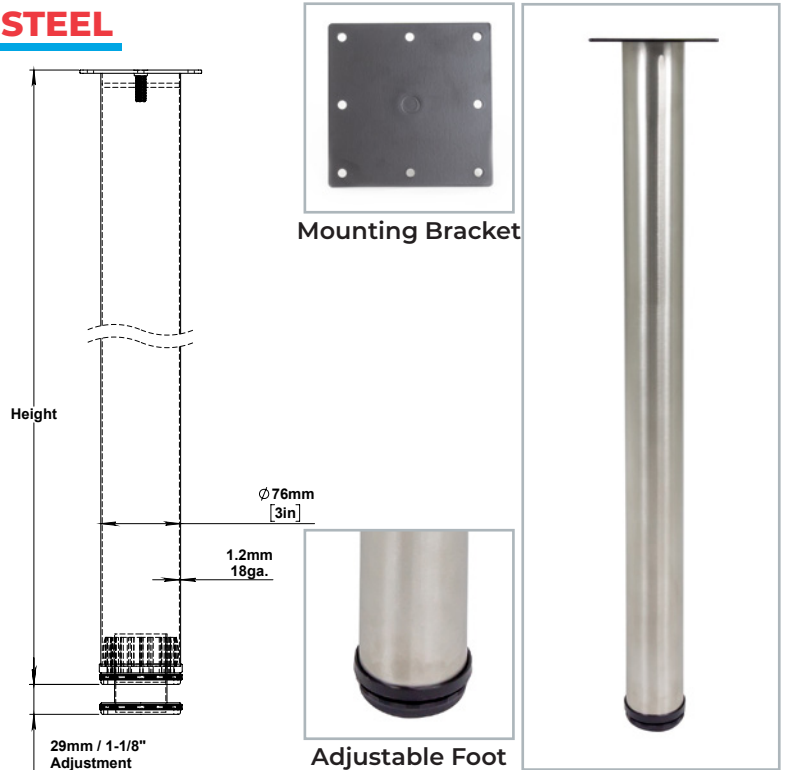


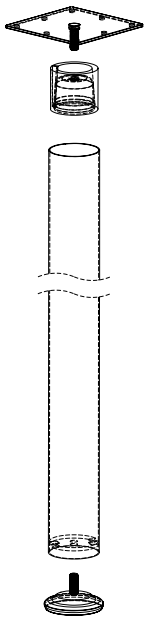
Table Legs

976 ROCKWELL LEGS | STAINLESS STEEL

- 3" (76mm) diameter
- Made of #304 Stainless Steel
- Table, counter and bar heights available
- Quick Install 4 9/16" (116mm) square mounting plate with M10 threaded bolt for quick attachment to the leg
- 1 1/8" adjustable foot
- Optional decorative foot available
- 220 lbs. weight capacity per leg
- Screws are included
- Can be custom cut down to size
- Sold in Sets of 4 and Single legs



STAINLESS STEEL FOOT OPTION



Top Plate with Threaded Insert



Decorative Foot

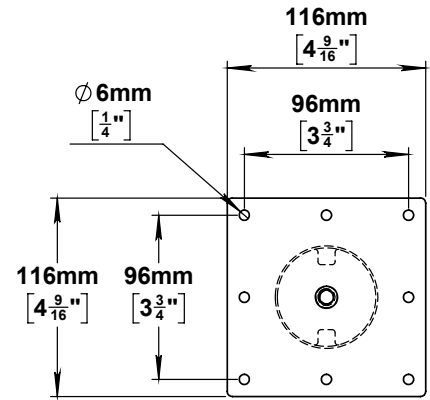


Table-Height Legs - 28"

Description	Item No. Set of 4	Item No. Single Leg	Finish
Rockwell 3" Diameter	976-28-SS	976-7S-SS	#304 Stainless Steel

Counter-Height Legs - 34 1/2"

Description	Item No. Set of 4	Item No. Single Leg	Finish
Rockwell 3" Diameter	976-34-SS	976-8S-SS	#304 Stainless Steel

Bar-Height Legs - 40 3/4"

Description	Item No. Set of 4	Item No. Single Leg	Finish
Rockwell 3" Diameter	976-40-SS	976-1S-SS	#304 Stainless Steel

Stainless Steel Foot Option

Description	Item No.
Decorative Foot and Insert	976-DECO-SS