

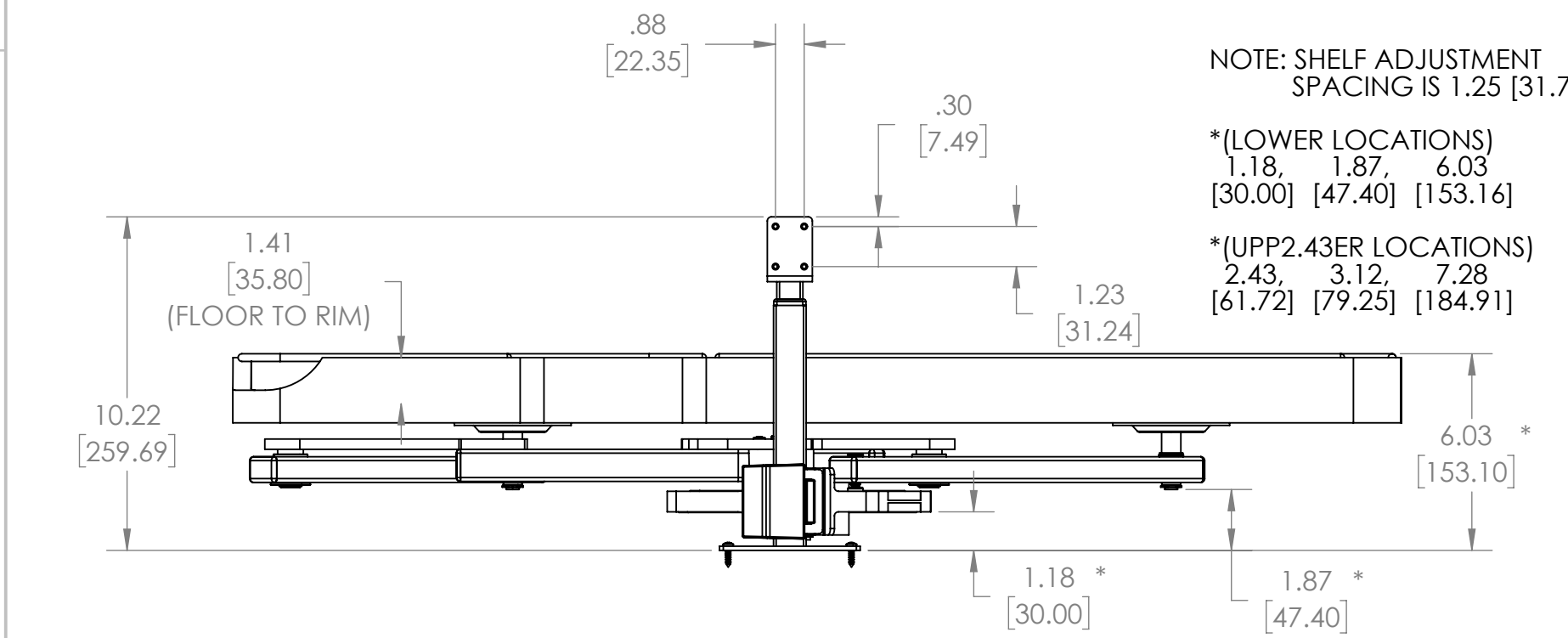
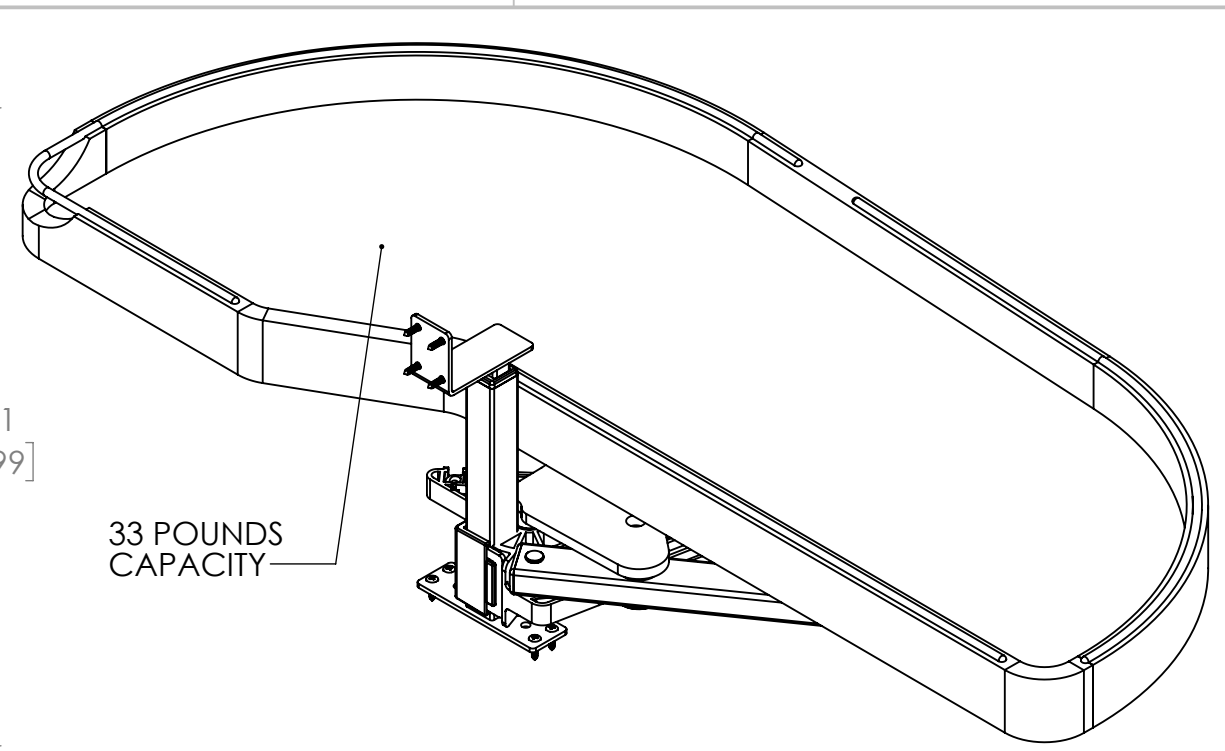
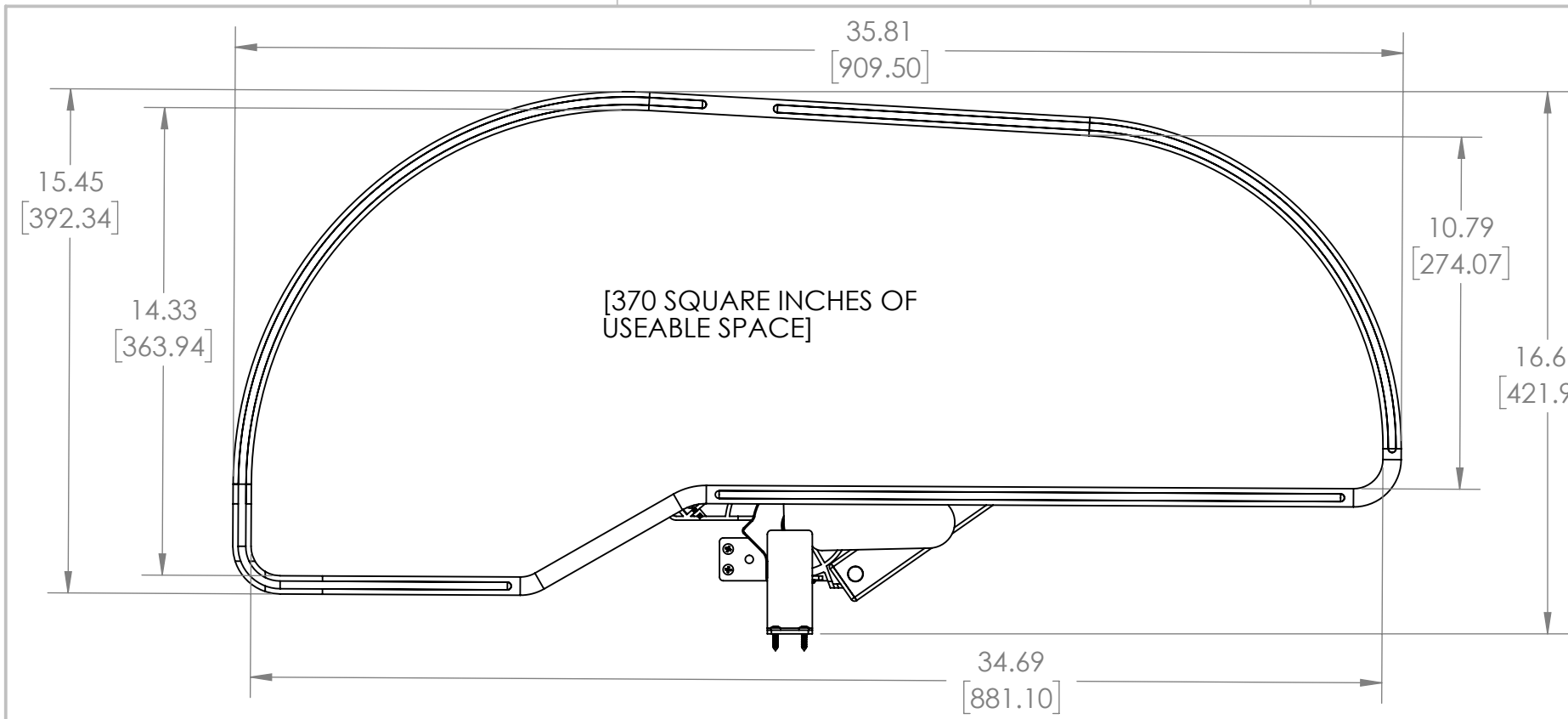
4 3 2 1

B

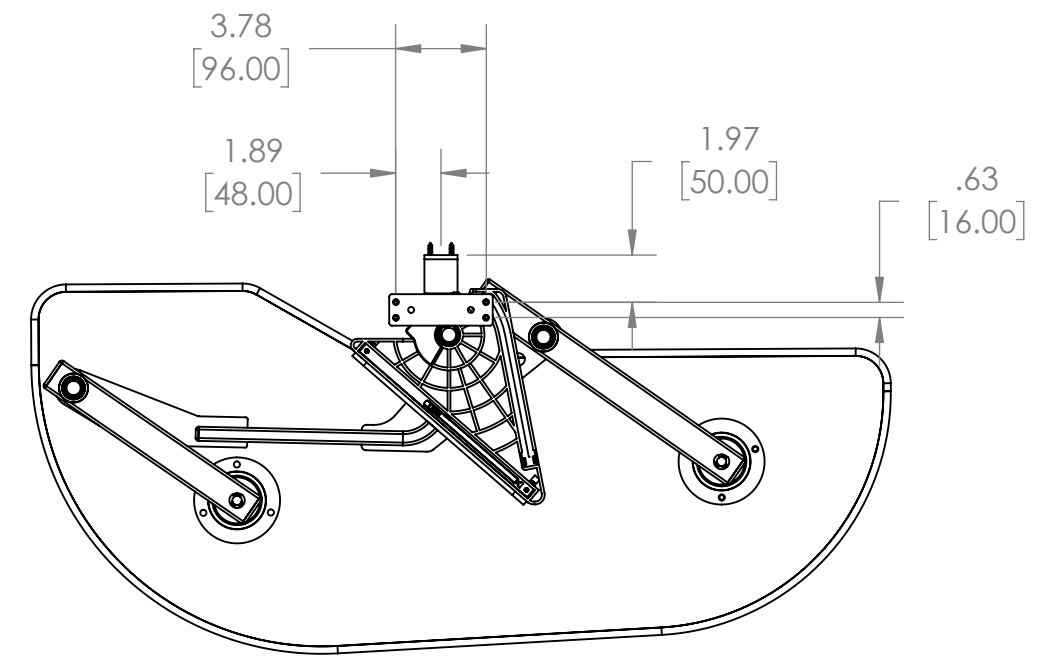
B

A

A



NOTE: SHELF ADJUSTMENT SPACING IS 1.25 [31.75]
 *(LOWER LOCATIONS)
 1.18, 1.87, 6.03
 [30.00] [47.40] [153.16]
 *(UPP2.43ER LOCATIONS)
 2.43, 3.12, 7.28
 [61.72] [79.25] [184.91]



BOTTOM VIEW SCALE: 1/8

CUSTOMER DRAWING

UNCONTROLLED IF PRINTED

REV-A-SHELF
 PROPRIETARY AND CONFIDENTIAL
 This drawing is the property of Rev-A-Shelf LLC (RAS) and is disclosed in confidence to the extent its subject matter is original to RAS. Any vendor receiving this drawing from RAS shall hold and use this drawing for the sole benefit of RAS and shall not disclose it to, or use or reproduce it for any third party, or perform any act adverse to the interest of RAS with respect to this drawing without the express written permission of RAS. Vendors shall not revise any physical, dimensional or performance characteristic unless authorized by Rev-A-Shelf Engineering.

REV	DATE	BY	DESCRIPTION OF CHANGE

UNLESS OTHERWISE SPECIFIED:			Description:		
TOLERANCES = INCH/(MM) MAT. DEC. (WOOD) .XX +/--.03 [8mm] (OTHER) .XX +/--.02 [5mm] (ALL) .XXX +/--.005 [13 mm] FRACTIONS +/-1/32 [8 mm] ANGLES +/-1/2°			SINGLE TIER CRAFTSMAN WOOD ORGANIZER LEFT DOOR/ BLIND RIGHT		
Third Angle Projection			PART NO. 4871CC-15-LMB		
MATERIAL		FINISH	SIZE B		DWG. NO. 4871CC-15-LMB
DO NOT SCALE DRAWING	NAME	DATE	SCALE: 1:5		WEIGHT:
DRAWN	KRR	5-7-25	SHEET 1 OF 3		

4 3 2 1

4

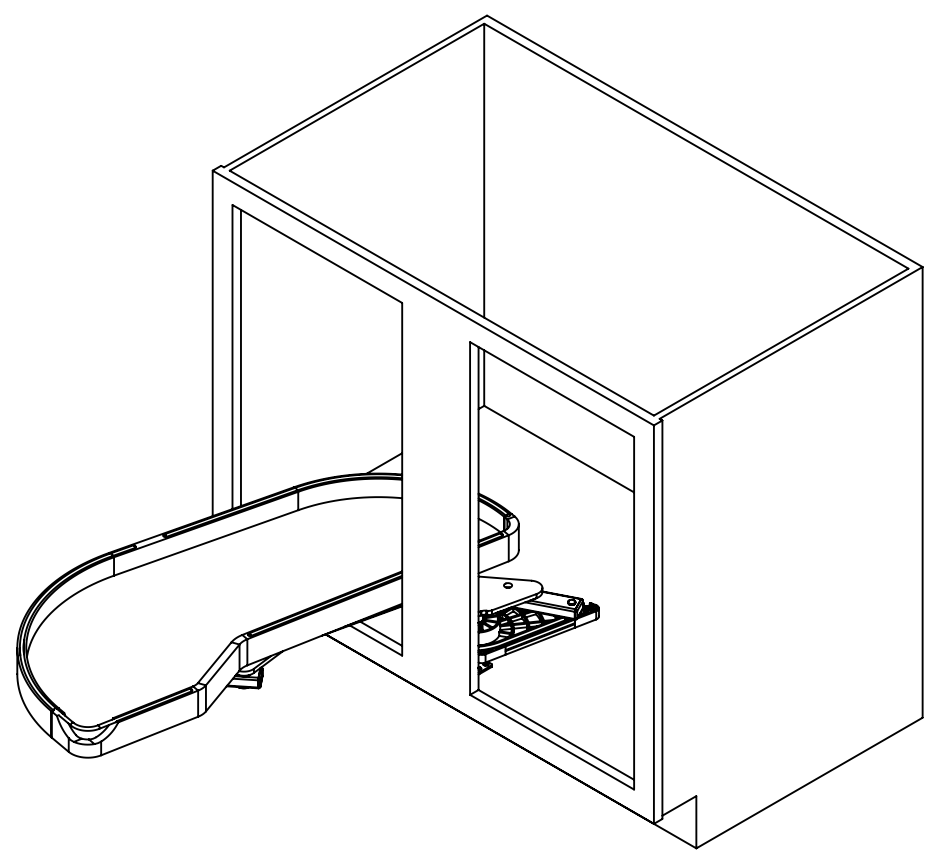
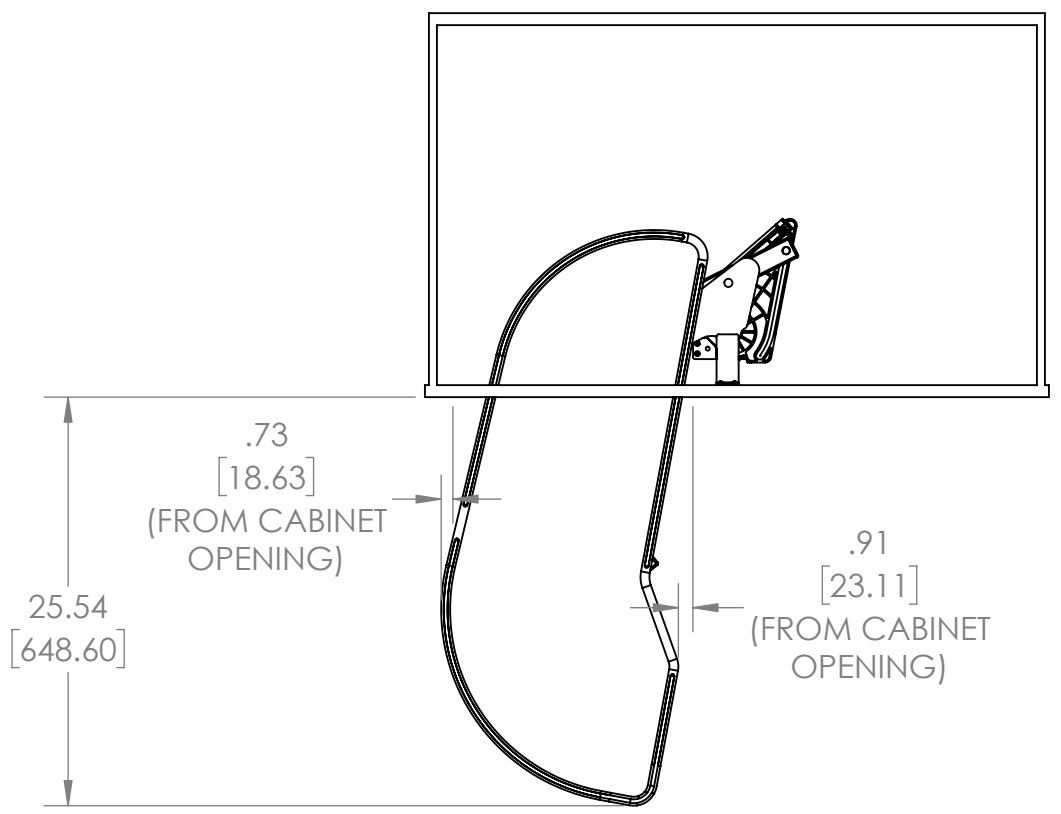
3

2

1

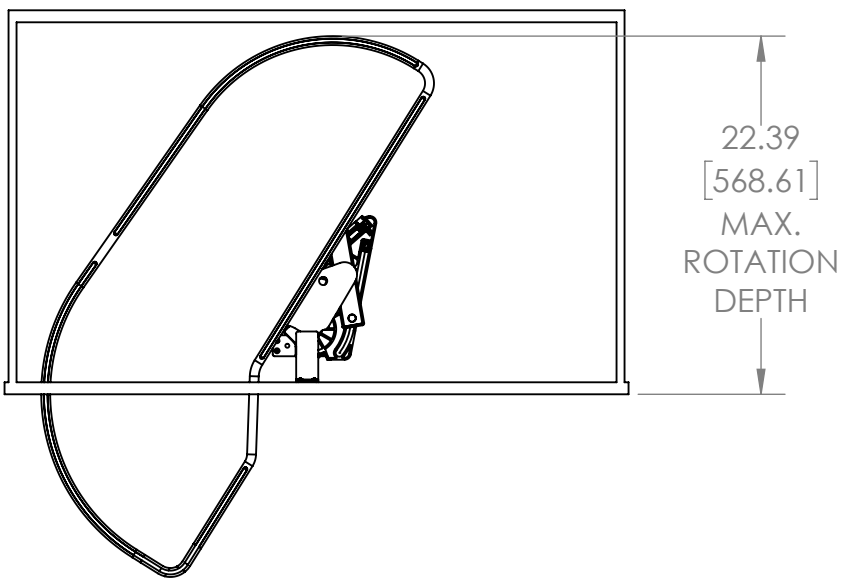
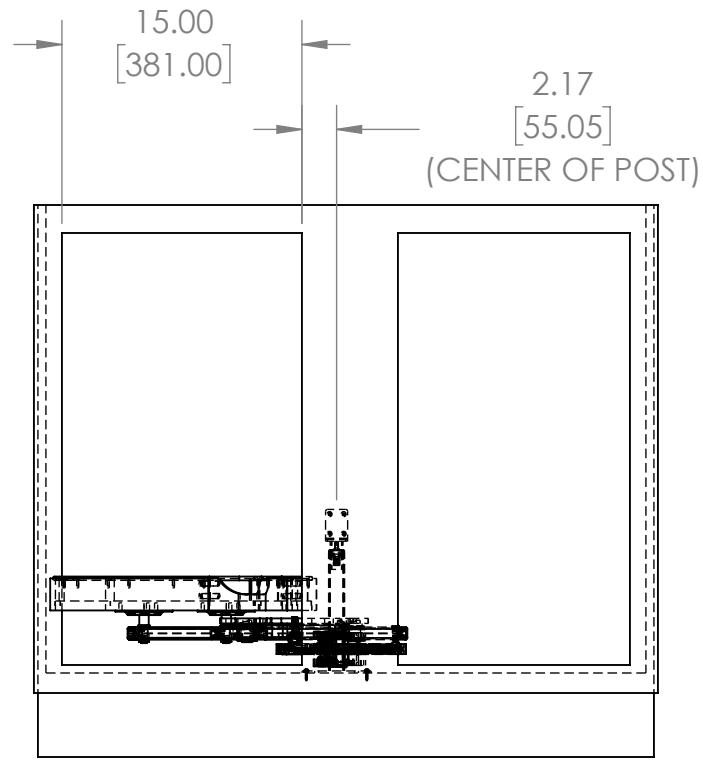
B

B



A

A



CUSTOMER DRAWING



PROPRIETARY AND CONFIDENTIAL
This drawing is the property of Rev-A-Shelf LLC (RAS) and is disclosed in confidence to the extent its subject matter is original to RAS. Any vendor receiving this drawing from RAS shall hold and use this drawing for the sole benefit of RAS and shall not disclose it to, or use or reproduce it for any third party, or perform any act adverse to the interest of RAS with respect to this drawing without the express written permission of RAS. Vendors shall not revise any physical, dimensional or performance characteristic unless authorized by Rev-A-Shelf Engineering.

UNCONTROLLED IF PRINTED

REV	DATE	BY	DESCRIPTION OF CHANGE

UNLESS OTHERWISE SPECIFIED:			Description:	
TOLERANCES = INCH/(MM) MAT. DEC. (WOOD) .XX +/--.03 [.8mm] (OTHER) .XX +/--.02 [.5mm] (ALL) .XXX +/--.005 [.13 mm] FRACTIONS +/-1/32 [.8 mm] ANGLES +/-1/2°			SINGLE TIER CRAFTSMAN WOOD ORGANIZER LEFT DOOR/ BLIND RIGHT	
First Angle Projection			PART NO. 4871CC-15-LMB	
MATERIAL			SIZE B DWG. NO. 4871CC-15-LMB	
DO NOT SCALE DRAWING			SCALE: 1:12 WEIGHT:	
DRAWN KRR			DATE 5-7-25 SHEET 2 OF 3	

4

3

2

1

4

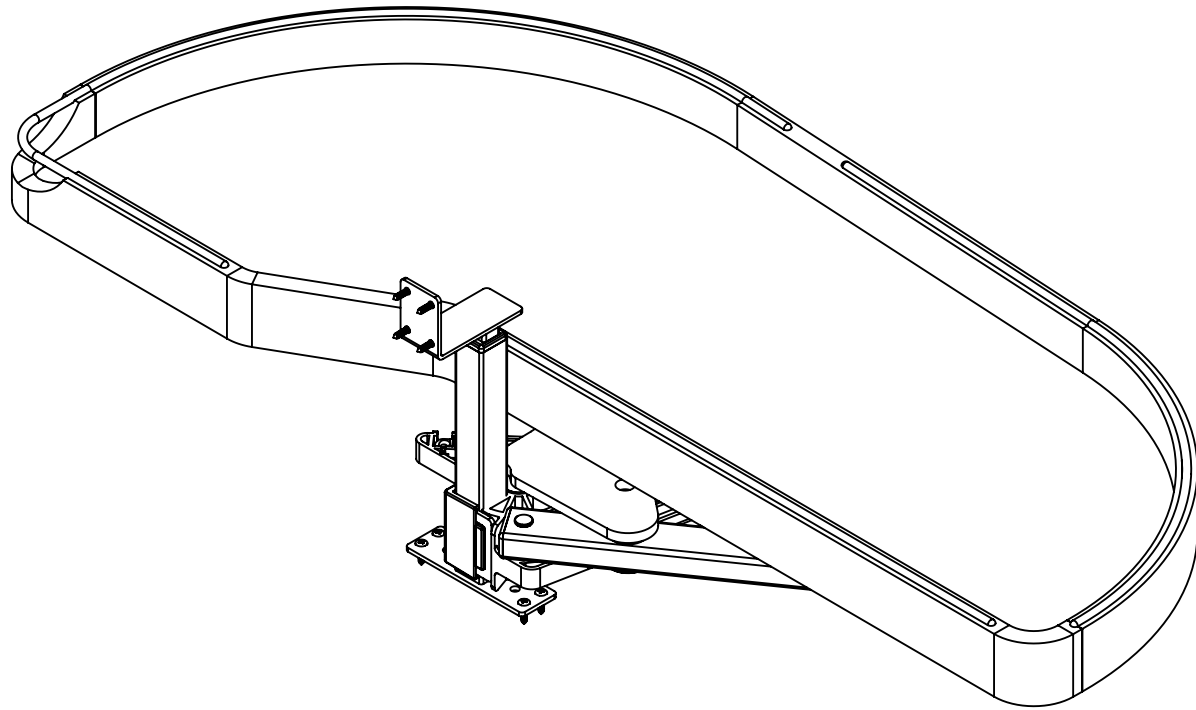
3

2

1

B

B



PART DIMENSIONS	
WIDTH	35.81 [909.50]
DEPTH	16.61 [421.99]
HEIGHT	10.22 [259.69]

MIN CABINET OPENING				
	FACE FRAME	FRAMELESS	INSET FACE FRAME	INSET FRAMELESS
WIDTH	15.00 [381]	16.50 [419]	15.00 [381]	16.50 [419]
DEPTH	22.50 [571.5]	22.50 [571.5]	22.50 [571.5]	22.50 [571.5]
HEIGHT	10.50 [266.7]	10.50 [266.7]	10.50 [266.7]	10.50 [266.7]

A

A

CUSTOMER DRAWING

UNCONTROLLED IF PRINTED



PROPRIETARY AND CONFIDENTIAL

This drawing is the property of Rev-A-Shelf LLC (RAS) and is disclosed in confidence to the extent its subject matter is original to RAS. Any vendor receiving this drawing from RAS shall hold and use this drawing for the sole benefit of RAS and shall not disclose it to, or use or reproduce it for any third party, or perform any act adverse to the interest of RAS with respect to this drawing without the express written permission of RAS. Vendors shall not revise any physical, dimensional or performance characteristic unless authorized by Rev-A-Shelf Engineering.

REV	DATE	BY	DESCRIPTION OF CHANGE

UNLESS OTHERWISE SPECIFIED:		
TOLERANCES = INCH/(MM)		
MAT. DEC.		
(WOOD) .XX +/--.03 [.8mm]		
(OTHER) .XX +/--.02 [.5mm]		
(ALL) .XXX +/--.005 [.13 mm]		
FRACTIONS +/-1/32 [.8 mm]		
ANGLES +/-1/2°		
First Angle Projection		
MATERIAL	FINISH	
DO NOT SCALE DRAWING	NAME	DATE
DRAWN	KRR	5-7-25

Description:	
SINGLE TIER CRAFTSMAN WOOD ORGANIZER LEFT DOOR/ BLIND RIGHT	
PART NO. 4871CC-15-LMB	
SIZE	DWG. NO.
B	4871CC-15-LMB
SCALE: 1:5	WEIGHT:
SHEET 3 OF 3	

4

3

2

1