

BOTTOM VIEW  
SCALE: 1/8

CUSTOMER DRAWING

**UNCONTROLLED IF PRINTED**



**PROPRIETARY AND CONFIDENTIAL**  
This drawing is the property of Rev-A-Shelf LLC (RAS) and is disclosed in confidence to the extent its subject matter is original to RAS. Any vendor receiving this drawing from RAS shall hold and use this drawing for the sole benefit of RAS and shall not disclose it to, or use or reproduce it for any third party, or perform any act adverse to the interest of RAS with respect to this drawing without the express written permission of RAS. Vendors shall not revise any physical, dimensional or performance characteristic unless authorized by Rev-A-Shelf Engineering.

| REV | DATE | BY | DESCRIPTION OF CHANGE |
|-----|------|----|-----------------------|
|     |      |    |                       |
|     |      |    |                       |
|     |      |    |                       |

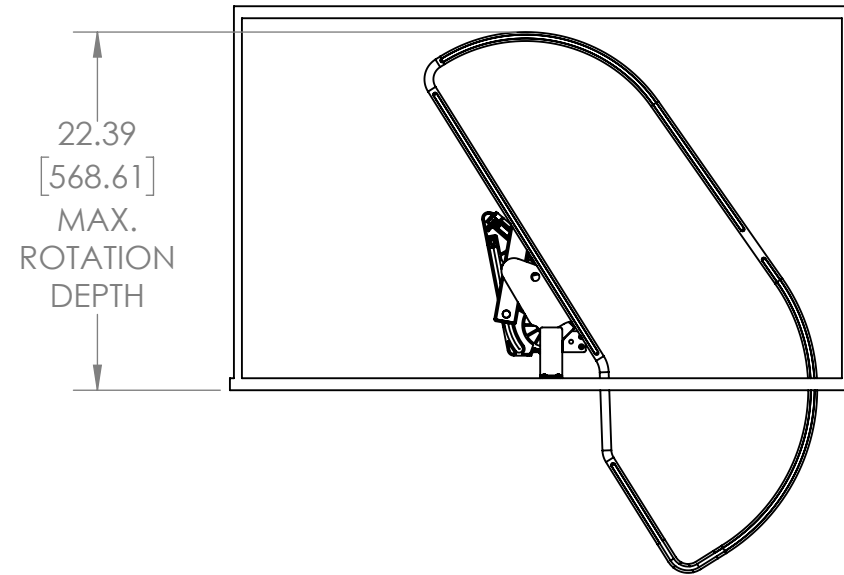
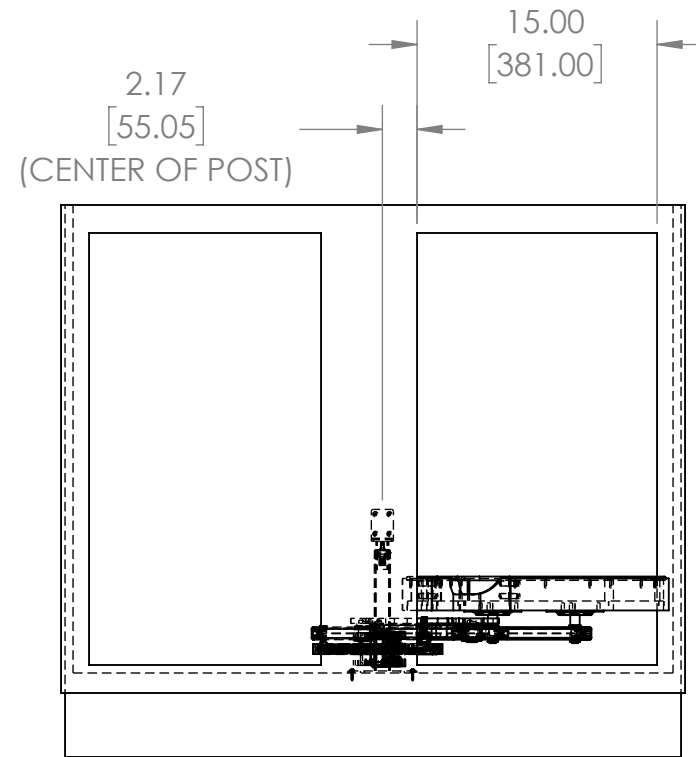
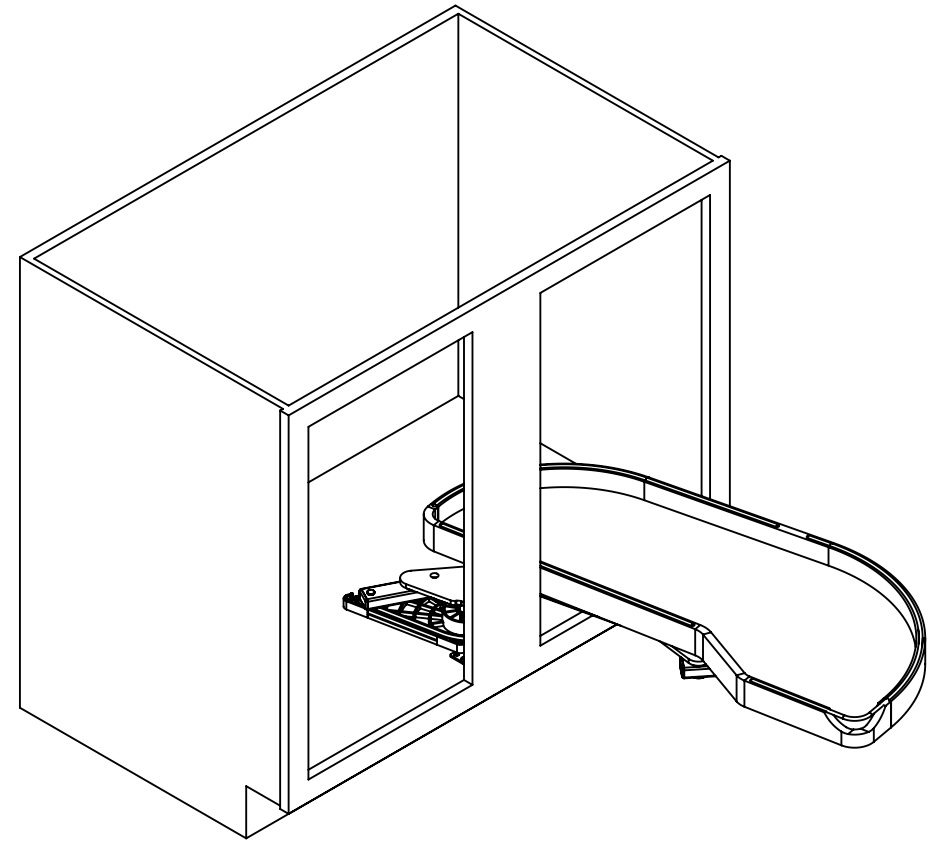
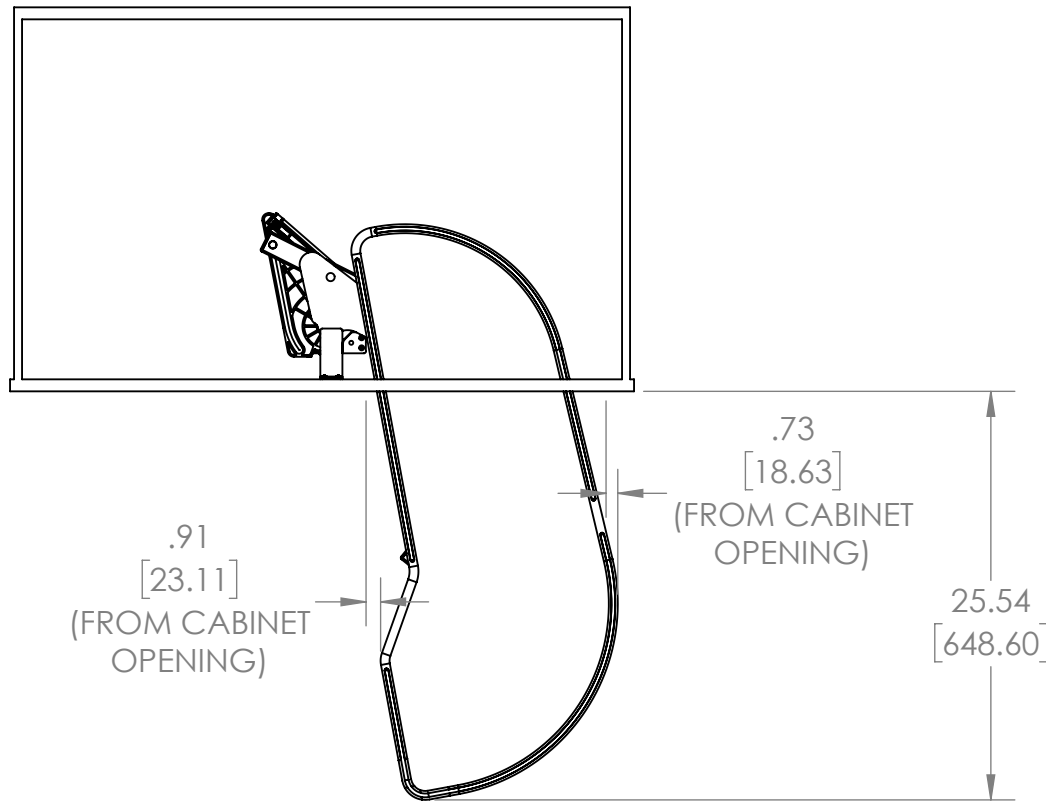
|   |        |   |               |
|---|--------|---|---------------|
| UNLESS OTHERWISE SPECIFIED:   |        | Description:  |               |
| TOLERANCES = INCH/(MM)<br>MAT. DEC.<br>(WOOD) .XX +/- .03 [.8mm]<br>(OTHER) .XX +/- .02 [.5mm]<br>(ALL) .XXX +/- .005 [.13 mm]<br>FRACTIONS +/- 1/32 [.8 mm]<br>ANGLES +/- 1/2° |        | SINGLE TIER CRAFTSMAN<br>WOOD ORGANIZER RIGHT<br>DOOR/ BLIND LEFT |               |
| Third Angle Projection  |        | PART NO. 4871CC-15-RMB  |               |
| MATERIAL  | FINISH | SIZE  | DWG. NO.      |
| DO NOT SCALE DRAWING  | NAME   | <b>B</b>  | 4871CC-15-RMB |
| DRAWN   | KRR    | DATE  | 5-7-25        |
| SCALE: 1:5  |        | WEIGHT:   | SHEET 1 OF 3  |

4

3

2

1



CUSTOMER DRAWING

UNCONTROLLED IF PRINTED



**PROPRIETARY AND CONFIDENTIAL**  
 This drawing is the property of Rev-A-Shelf LLC (RAS) and is disclosed in confidence to the extent its subject matter is original to RAS. Any vendor receiving this drawing from RAS shall hold and use this drawing for the sole benefit of RAS and shall not disclose it to, or use or reproduce it for any third party, or perform any act adverse to the interest of RAS with respect to this drawing without the express written permission of RAS. Vendors shall not revise any physical, dimensional or performance characteristic unless authorized by Rev-A-Shelf Engineering.

| REV | DATE | BY | DESCRIPTION OF CHANGE |
|-----|------|----|-----------------------|
|     |      |    |                       |
|     |      |    |                       |
|     |      |    |                       |
|     |      |    |                       |

|                              |        |        |
|------------------------------|--------|--------|
| UNLESS OTHERWISE SPECIFIED:  |        |        |
| TOLERANCES = INCH/(MM)       |        |        |
| MAT. DEC.                    |        |        |
| (WOOD) .XX +/--.03 [.8mm]    |        |        |
| (OTHER) .XX +/--.02 [.5mm]   |        |        |
| (ALL) .XXX +/--.005 [.13 mm] |        |        |
| FRACTIONS +/-1/32 [.8 mm]    |        |        |
| ANGLES +/-1/2°               |        |        |
| First Angle Projection       |        |        |
| MATERIAL                     | FINISH |        |
| DO NOT SCALE DRAWING         | NAME   | DATE   |
| DRAWN                        | KRR    | 5-7-25 |

|   |               |
|---|---------------|
| Description:  |               |
| SINGLE TIER CRAFTSMAN<br>WOOD ORGANIZER RIGHT<br>DOOR/ BLIND LEFT |               |
| PART NO. 4871CC-15-RMB  |               |
| SIZE  | DWG. NO.      |
| <b>B</b>  | 4871CC-15-RMB |
| SCALE: 1:12   | WEIGHT:       |
| SHEET 2 OF 3  |               |

4

3

2

1

B

B

A

A

4

3

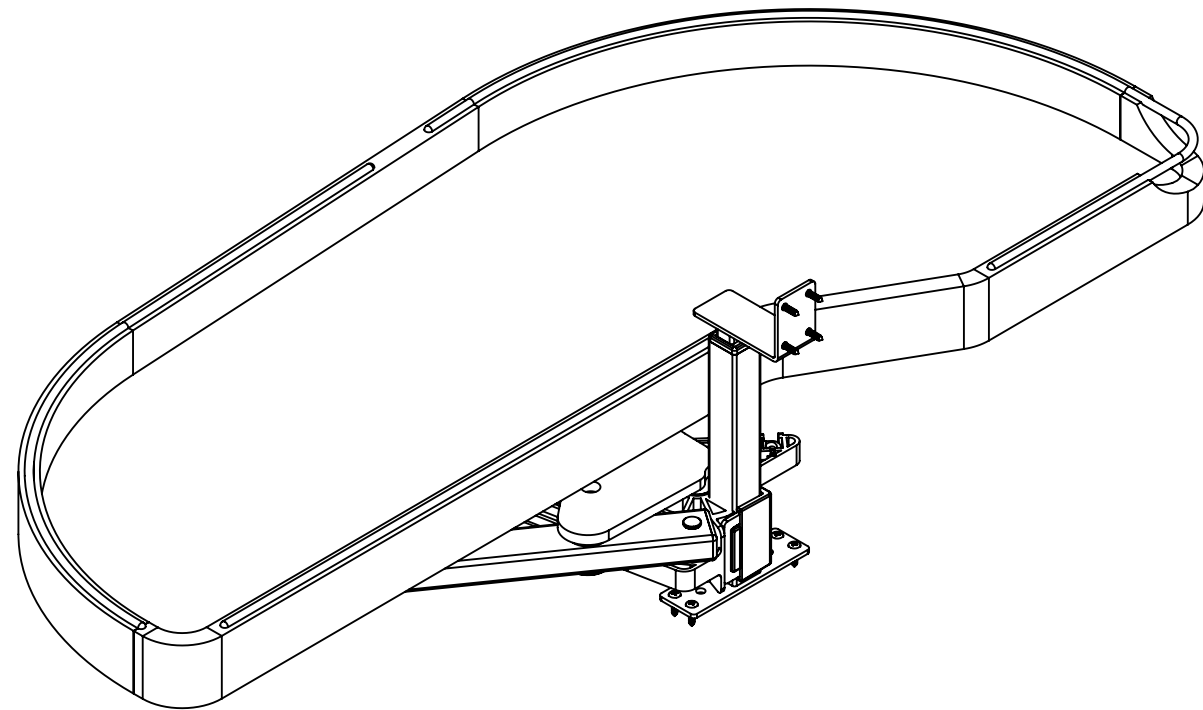
2

1

B

B

| PART DIMENSIONS |                |
|-----------------|----------------|
| WIDTH           | 35.81 [909.50] |
| DEPTH           | 16.61 [421.99] |
| HEIGHT          | 10.22 [259.69] |



| MIN CABINET OPENING |               |               |                  |                 |
|---------------------|---------------|---------------|------------------|-----------------|
|                     | FACE FRAME    | FRAMELESS     | INSET FACE FRAME | INSET FRAMELESS |
| WIDTH               | 15.00 [381]   | 16.50 [419]   | 15.00 [381]      | 16.50 [419]     |
| DEPTH               | 22.50 [571.5] | 22.50 [571.5] | 22.50 [571.5]    | 22.50 [571.5]   |
| HEIGHT              | 10.50 [266.7] | 10.50 [266.7] | 10.50 [266.7]    | 10.50 [266.7]   |

CUSTOMER DRAWING

|   |        |   |               |
|---|--------|---|---------------|
| UNLESS OTHERWISE SPECIFIED:   |        | Description:  |               |
| TOLERANCES = INCH/(MM)<br>MAT. DEC.<br>(WOOD) .XX +/- .03 [.8mm]<br>(OTHER) .XX +/- .02 [.5mm]<br>(ALL) .XXX +/- .005 [.13 mm]<br>FRACTIONS +/- 1/32 [.8 mm]<br>ANGLES +/- 1/2° |        | SINGLE TIER CRAFTSMAN<br>WOOD ORGANIZER RIGHT<br>DOOR/ BLIND LEFT |               |
| First Angle Projection  |        | PART NO. 4871CC-15-RMB  |               |
| MATERIAL  | FINISH | SIZE  | DWG. NO.      |
| DO NOT SCALE DRAWING  | NAME   | <b>B</b>  | 4871CC-15-RMB |
| DRAWN   | KRR    | DATE  | 5-7-25        |
| SCALE: 1:5  |        | WEIGHT:   | SHEET 3 OF 3  |



**PROPRIETARY AND CONFIDENTIAL**  
This drawing is the property of Rev-A-Shelf LLC (RAS) and is disclosed in confidence to the extent its subject matter is original to RAS. Any vendor receiving this drawing from RAS shall hold and use this drawing for the sole benefit of RAS and shall not disclose it to, or use or reproduce it for any third party, or perform any act adverse to the interest of RAS with respect to this drawing without the express written permission of RAS. Vendors shall not revise any physical, dimensional or performance characteristic unless authorized by Rev-A-Shelf Engineering.

UNCONTROLLED IF PRINTED

| REV | DATE | BY | DESCRIPTION OF CHANGE |
|-----|------|----|-----------------------|
|     |      |    |                       |
|     |      |    |                       |
|     |      |    |                       |
|     |      |    |                       |

4

3

2

1

A

A