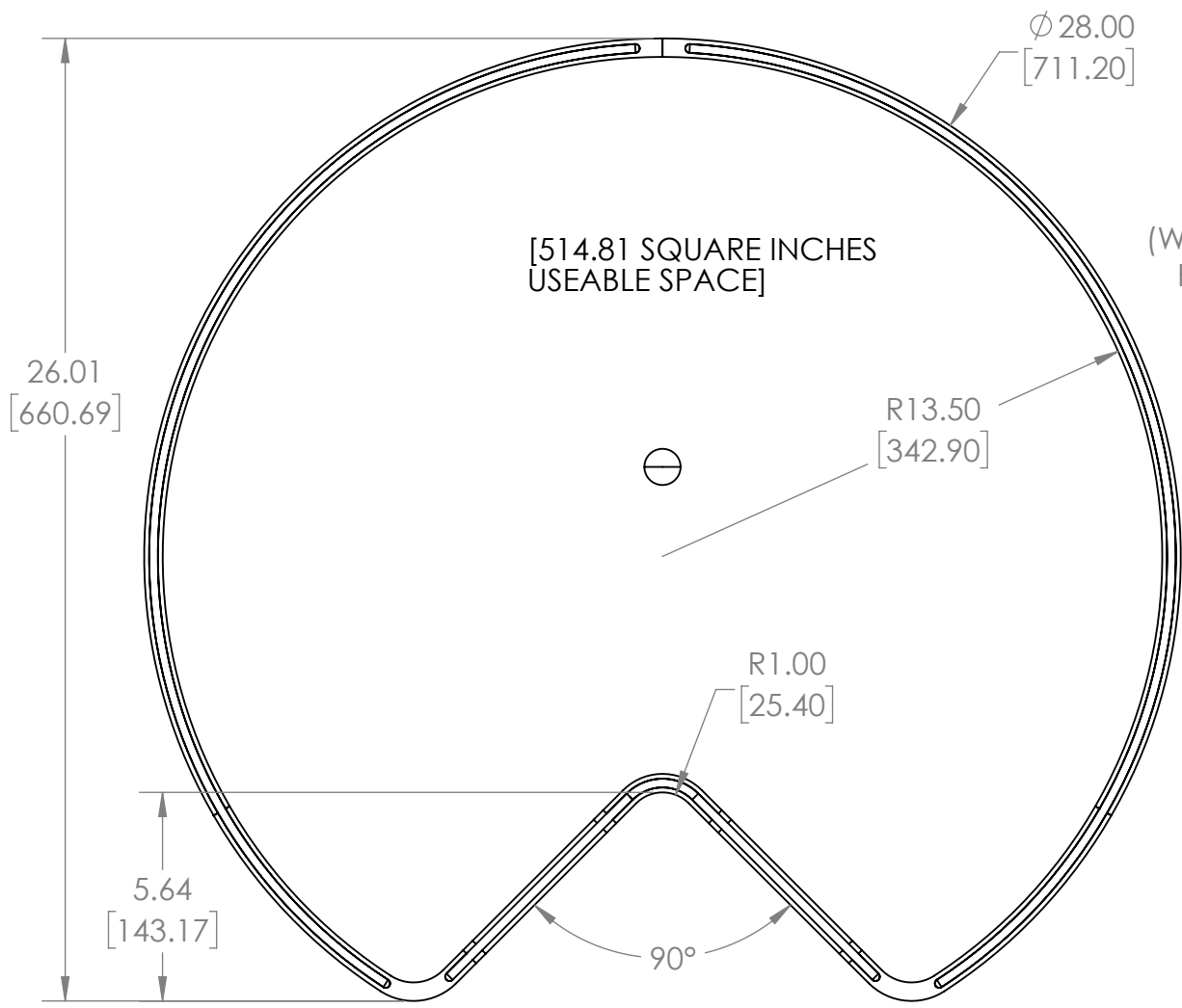


4

3

2

1



1.41
[35.81]
(WOOD RIM
HEIGHT)

[514.81 SQUARE INCHES
USEABLE SPACE]

26.01
[660.69]

R13.50
[342.90]

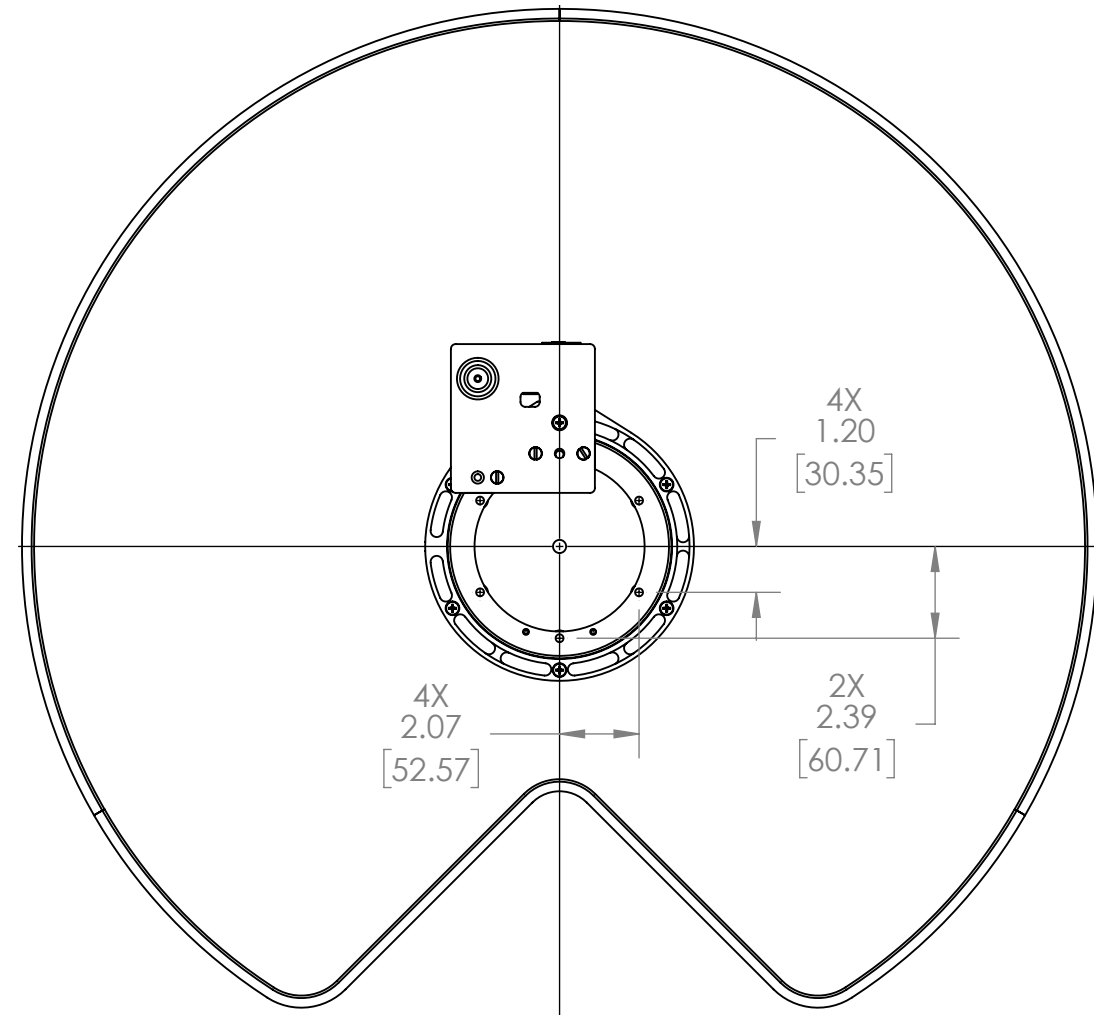
R1.00
[25.40]

90°

5.64
[143.17]

2.87
[72.82]

.75
[19.02]



4X
1.20
[30.35]

4X
2.07
[52.57]

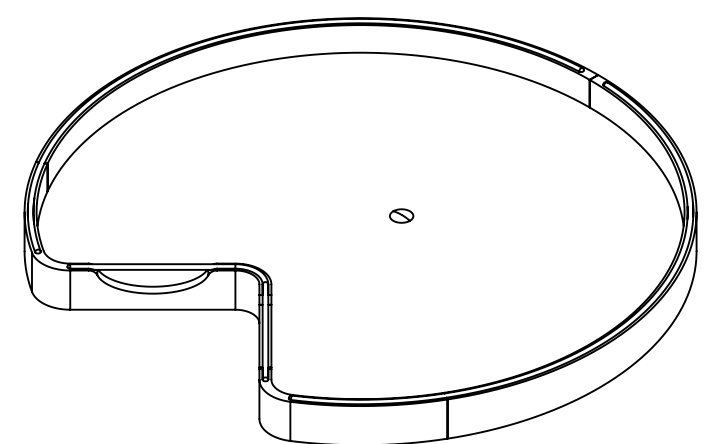
2X
2.39
[60.71]

B

B

A

A



CUSTOMER DRAWING

UNLESS OTHERWISE SPECIFIED:
TOLERANCES = INCH/(MM)
MAT. DEC.
(WOOD) .XX +/- .03 [8mm]
(OTHER) .XX +/- .02 [5mm]
(ALL) .XXX +/- .005 [13 mm]
FRACTIONS +/- 1/32 [8 mm]
ANGLES +/- 1/2°

Description:
**28" CRAFTSMAN
COLLECTION KIDNEY TRAY
WITH BEARING**

PART NO. 4CC-401-28BS-1MB

SIZE **B** DWG. NO.
4CC-401-28BS-1MB

Third Angle Projection
MATERIAL FINISH
DO NOT SCALE DRAWING NAME DATE
DRAWN KRR 1-13-25

SCALE: 1:5 WEIGHT: SHEET 1 OF 1



PROPRIETARY AND CONFIDENTIAL
This drawing is the property of Rev-A-Shelf LLC (RAS) and is disclosed in confidence to the extent its subject matter is original to RAS. Any vendor receiving this drawing from RAS shall hold and use this drawing for the sole benefit of RAS and shall not disclose it to, or use or reproduce it for any third party, or perform any act adverse to the interest of RAS with respect to this drawing without the express written permission of RAS. Vendors shall not revise any physical, dimensional or performance characteristic unless authorized by Rev-A-Shelf Engineering.

REV	DATE	BY	DESCRIPTION OF CHANGE

UNCONTROLLED IF PRINTED

4

3

2

1