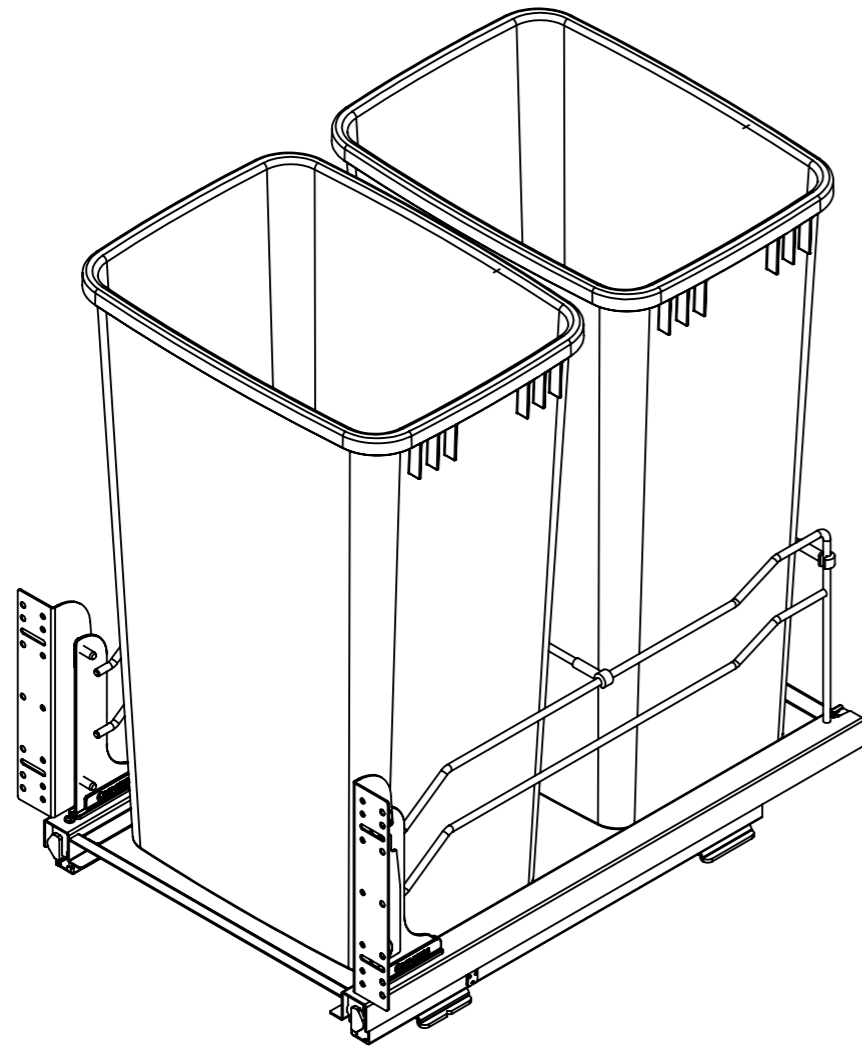


CUSTOMER DRAWING

This drawing is the property of Rev-A-Shelf (RAS) and is disclosed in confidence to the extent its subject matter is original to RAS. Any vendor receiving this drawing from RAS shall hold and use this drawing for the sole benefit of RAS and shall not disclose it to, or use or reproduce it for any third party, or perform any act adverse to the interest of RAS with respect to this drawing without the express written permission of RAS. Vendors shall not revise any physical, dimensional or performance characteristic unless authorized by Rev-A-Shelf Engineering.

REV.	DATE	BY	DESCRIPTION OF CHANGE

INCH [MM]	AMERICAN PROJECTION 	DRAWN	BY	DATE	REV-A-SHELF, INC.
TOLERANCES					SIZE B
MAT.	DEC.	ANGLES 1/2±	MATERIAL	DRAWING NO.	SCALE
(WOOD)	.XX '.03 [.8mm]		53WC-2150SCDM-2xx	53WC DOUBLE 50QT	
(OTHER)	.XX '.02 [.5mm]		FINISH	DRAWING NO.	SHEET 1 OF 2
(ALL)	.XXX '.005 [.13mm]		PART NO.	53WC-2150SCDM-2xx	
FRACTIONS	'1/32 [.8mm]				



PART DIMENSIONS		
	MIN	MAX
WIDTH	14.37	
DEPTH	22.09	
HEIGHT	22.91	
WEIGHT		
DIAMETER		
RADIUS		
CONTAINER CAPACITY	(2) 50QT	
CONTAINER UOM	POLYPROPYLENE	

MIN CABINET OPENING	
WIDTH	14.5
DEPTH	22.125
HEIGHT	24.00

PRODUCT MAX WEIGHT RATING
90LBS

SLIDE SPECIFICATIONS				
SLIDE TYPE	UNDERMOUNT	SLIDE EXTENSION	FULL	MAX WEIGHT RATING
SLIDE CLOSING	SOFT/SELF	SLIDE LENGTH	560MM	
SLIDE MOUNTING	BOTTOM	SLIDE FINISH	ZINC	90LBS

CUSTOMER DRAWING

This drawing is the property of Rev-A-Shelf (RAS) and is disclosed in confidence to the extent its subject matter is original to RAS. Any vendor receiving this drawing from RAS shall hold and use this drawing for the sole benefit of RAS and shall not disclose it to, or use or reproduce it for any third party, or perform any act adverse to the interest of RAS with respect to this drawing without the express written permission of RAS. Vendors shall not revise any physical, dimensional or performance characteristic unless authorized by Rev-A-Shelf Engineering.

REV.	DATE	BY	DESCRIPTION OF CHANGE

INCH [MM]	AMERICAN PROJECTION	DRAWN	BY	DATE	REV-A-SHELF, INC.	
TOLERANCES					SIZE B	
MAT. DEC.	(WOOD) .XX .03 [.8mm]	(OTHER) .XX .02 [.5mm]	(ALL) .XXX .005 [.13 mm]	FRACTIONS 1/32 [.8 mm]	ANGLES 1/2±	53WC DOUBLE 50QT
MATERIAL			DRAWING NO.		SCALE	
FINISH			53WC-2150SCDM-2xx			
			PART NO.		SHEET 2 OF 2	
			53WC-2150SCDM-2xx			