

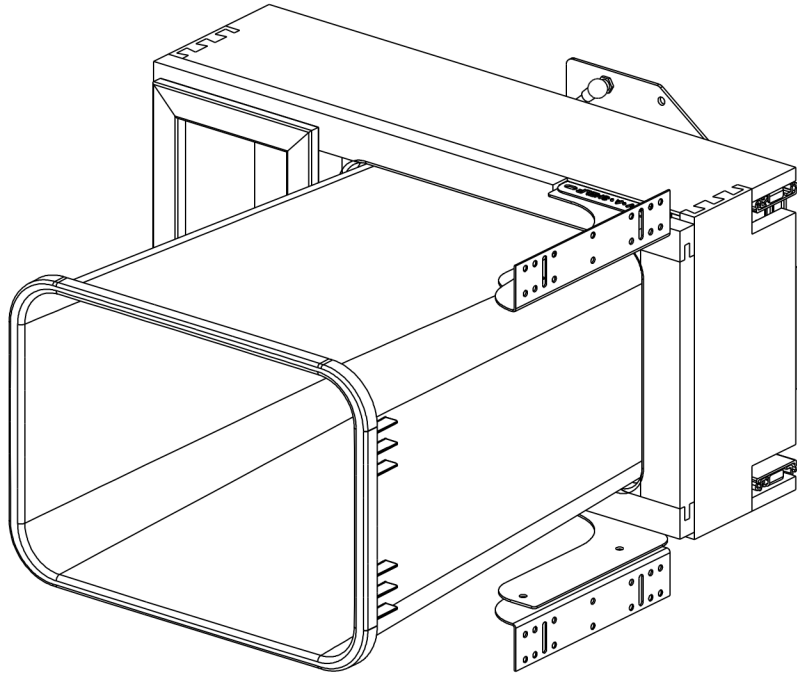
This drawing is the property of Rev-A-Shelf (RAS) and is disclosed in confidence to the recipient. Its subject matter is original to RAS. Any vendor receiving this drawing from RAS shall hold and use this drawing for the sole benefit of RAS and shall not disclose it to, or use or reproduce it for any third party, or perform any act adverse to the interest of RAS with respect to this drawing without the express written permission of RAS. The recipient shall hold the recipient harmless for any performance characteristic unless authorized by Rev-A-Shelf Engineering.

CUSTOMER DRAWING

INCH [MM]	AMERICAN PROJECTION	DRAWN	BY	DATE	SIZE
			PFC	9/18/08	
MAT.	DEC.	ANGLES	MATERIAL	DRAWING NO.	SCALE
(ALU) .XXX ±.005 [1.3 mm]	(OTHER) .XX ±.02 [5mm]	±1/2		4WCBM-15500M-1	3:16
FRACTIONS ±1/32 [1.8 mm]			FINISH	PART NO.	SHEET OF
				4WCBM-15500M-1	2

REV.	DATE	BY	DESCRIPTION OF CHANGE
A	12-19-17	KRR	ECN17-109

REV-A-SHELF, INC.
WASTE CONTAINER BOTTOM MOUNT
SINGLE 50.01



PART DIMENSIONS		
	MIN	MAX
WIDTH		11.98
DEPTH		21.65
HEIGHT		23.15
WEIGHT		
DIAMETER		
RADIUS		
CONTAINER CAPACITY		50
CONTAINER UOM		QUART

MIN CABINET OPENING			
	FRAMELESS	INSET FACE FRAME	INSET FRAMELESS
WIDTH	11.50	12.75	11.50
DEPTH	21.75	21.75	22.50
HEIGHT	24.50	24.50	24.50

SLIDE SPECIFICATIONS			
SLIDE TYPE	BALL BEARING	SLIDE EXTENSION	1 1/2" O.T.
SLIDE CLOSING	REV-A-MOTION	SLIDE LENGTH	550 MM
SLIDE MOUNTING		SLIDE FINISH	ZINC
			150 LB

CUSTOMER DRAWING

AMERICAN PROJECTION	DRAWN	BY	DATE	SIZE	REV-A-SHELF, INC.
(FIRST ANGLE)	PFC	PFC	9/18/08	B	WASTE CONTAINER BOTTOM MOUNT
					DRAWING NO.
					4WCBM-1550DM-1
					SCALE
					1:4
					PART NO.
					4WCBM-1550DM-1
					SHEET
					2

This drawing is the property of Rev-A-Shelf (RAS) and is disclosed in confidence to the recipient, its subject matter is original to RAS. Any vendor receiving this drawing from RAS shall hold and use this drawing for the sole benefit of RAS and shall not disclose it to, or use or reproduce it for any third party, or perform any act adverse to the interest of RAS with respect to this drawing without the express written permission of RAS. The recipient shall hold RAS harmless for any performance characteristic unless authorized by Rev-A-Shelf Engineering.

REV.	DATE	BY	DESCRIPTION OF CHANGE
A	12-19-17	KRR	ECN17-109

MAT. DEC.	ANGLES
(OTHER) XX ±.02(5mm)	±.1/2
(ALU) XXX ±.005(-1.3 mm)	
FRACTIONS ±.1/32(LB mm)	

INCH	AMERICAN
(MM)	PROJECTION