

Model 997

Application

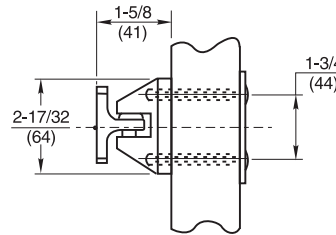
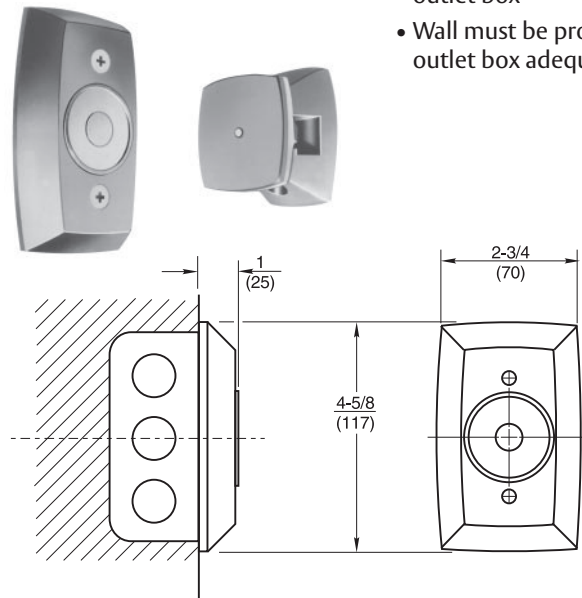
Wall Mount
Concealed Wiring
ANSI/C00011

Product Description & Features

- Total Projection: 2-5/8" (67mm)
- Mounting Requirements:
2" x 4" x 1-3/4" (51 x 102 x 45mm)
outlet box
- Wall must be properly reinforced and
outlet box adequately fastened

Technical Information

- Voltage and Current:
 - 120VAC, 60Hz., .020 amp
 - 24VAC/DC, 60Hz., .020 amp
 - 12VDC, .040 amp
- For 50-55 lbs. of holding force, specify
voltage
 - 120VAC, 60Hz. .017 amp
 - 24VAC, 60Hz. .080 amp
 - 24VDC, .068amp
 - 12VDC, .180amp
 - 240VAC, 50/60Hz. .009 amp
- Shipping Weight: 2 lbs. (0.9 kg)



Model 998

Application

Wall Mount
Concealed Wiring
ANSI/C00011

Product Description & Features

- Total Projection: 3-5/8" (92mm)
- Mounting Requirements:
2" x 4" x 1-3/4" (51 x 102 x 45mm)
outlet box
- Wall must be properly reinforced and
outlet box adequately fastened

Technical Information

- Voltage and Current:
 - 120VAC, 60Hz., .020 amp
 - 24VAC/DC, 60Hz., .020 amp
 - 12VDC, .040 amp
- For 50-55 lbs. of holding force, specify
voltage
 - 120VAC, 60Hz. .017 amp
 - 24VAC, 60Hz. .080 amp
 - 24VDC, .068amp
 - 12VDC, .180amp
 - 240VAC, 50/60Hz. .009 amp
- Shipping Weight: 2-1/2 lbs. (1.1 kg)

