

Boring Pattern - Series 200 - Series S Face Frame

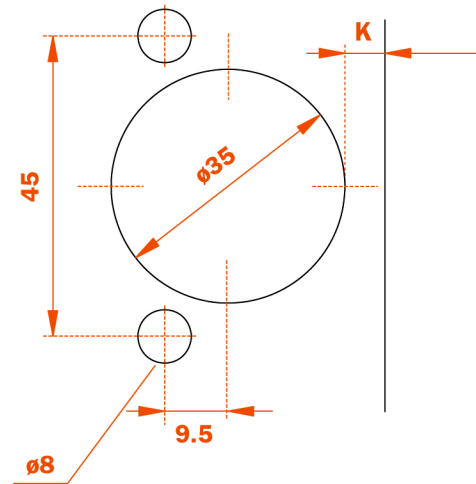
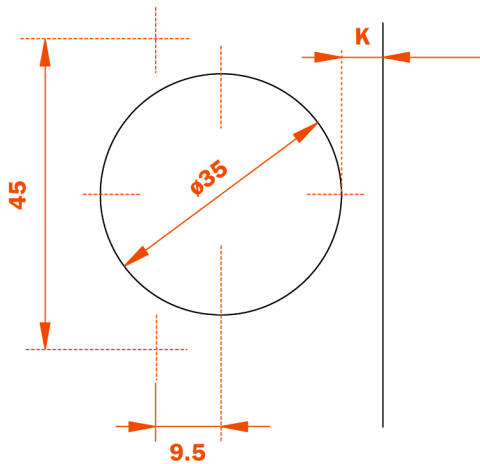
Boring distance from the edge of the door:

94°	3 to 8 mm
106°	Face Frame 2.5 mm
110°	3 to 6 mm
120°	3 to 6 mm
165°	3 to 8 mm

Tablas taladro - Serie 200 - Serie S para marco

Distancia taladro del borde de la puerta:

94°	3 to 8 mm
106°	Face Frame 2.5 mm
110°	3 to 6 mm
120°	3 to 6 mm
165°	3 to 8 mm



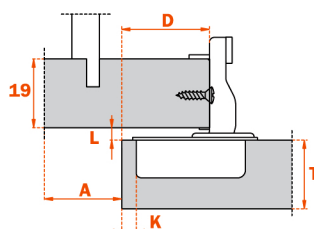
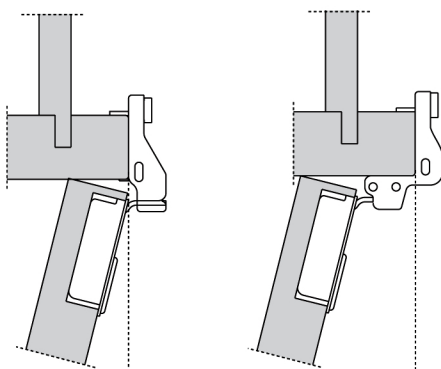
Screw-in.
Tornillo para madera.

Knock-in - Rapido - Logica
Taco - Rápido - Logica

Series S **ecentra** **three** **3 cams "Face-Frame"**
Serie S **ecentra** **three** **3 excéntricos "Marco"**

ecentra

Zero-door protrusion from 1/2" to 1 7/16" overlay.
Puerta sin retroceso cobertura de 1/2" a 1 7/16".



Frame cabinet
Mueble con marco



D = required door overlay
T = max. door thickness
K = drilling distance
A = reveal
L = gap between door and frame

D = Cobertura de la puerta sobre el lateral
T = Espesor máx. de la puerta
K = Distancia taladro
A = Parte no cubierta del lateral
L = Distancia interna entre puerta y marco

- Stamped steel
- Cup depth 11 mm (7/16")
- Opening 106°
- K fixed at 2.5 mm (3/32")
- L = 4.6 mm
- **A = 5.2 for 3/4" square edge door at 90° opening.**

- Acero moldeado
- Profundidad de la cazoleta 11 mm (7/16")
- Abertura 106°
- K fijo a 2.5 mm (3/32")
- L = 4.6 mm
- **A = 5.2 para puerta a esquina viva 3/4" con abertura a 90°.**