



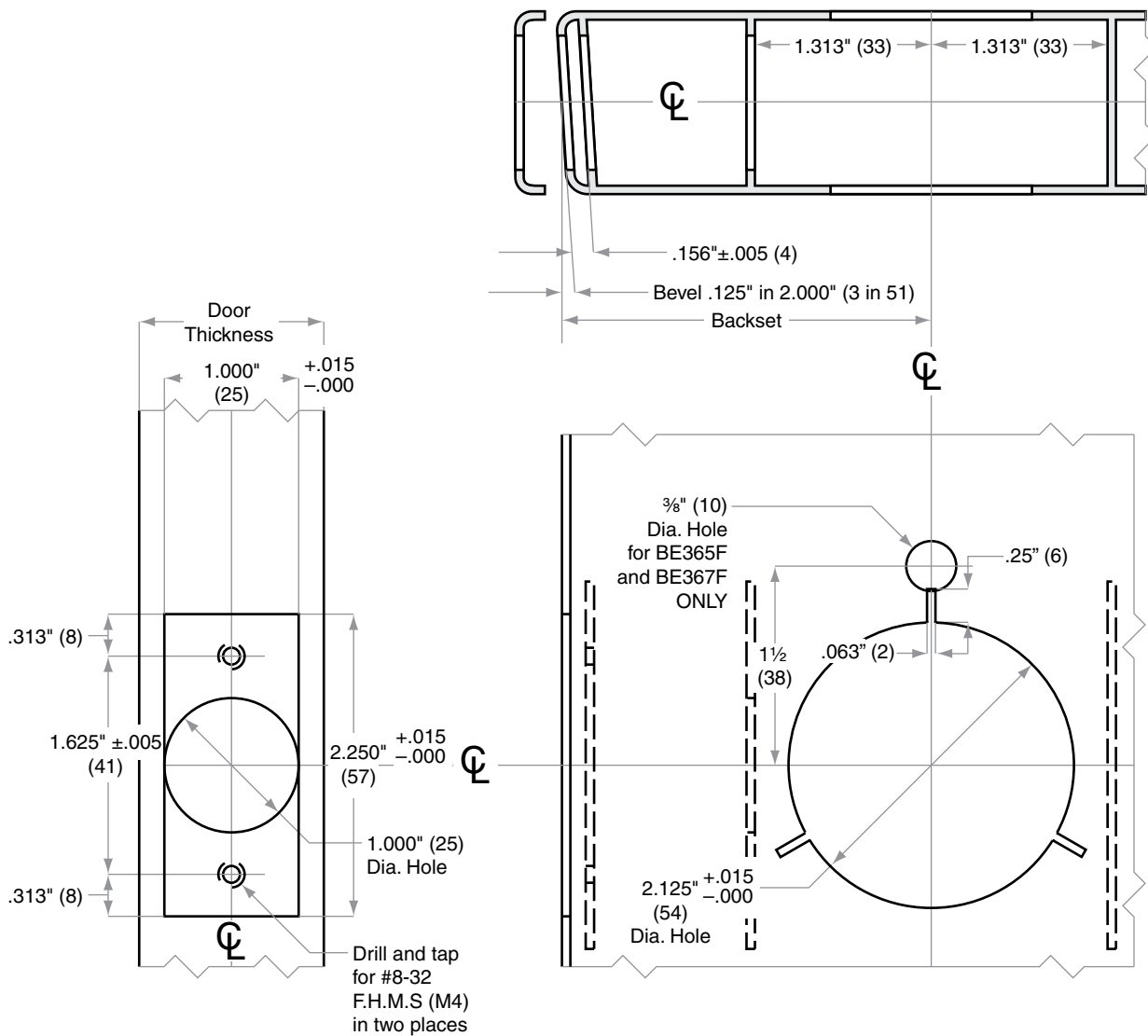
BE-Series

Models BE365, BE365F, BE367, BE367F, BE369, BE479, BE469

- Door Type: Metal, Flat or Beveled
- Door Thickness: $1\frac{1}{8}$ " (35 mm)– $1\frac{3}{4}$ " (44 mm)
- Faceplate: Square Corner, 1" (25 mm) wide
- Backsets: $2\frac{3}{8}$ " (60 mm), $2\frac{3}{4}$ " (70 mm)

Standard backset in bold.

For metal door installations, suitable reinforcement is required to support latch in center of door and to prevent lateral movement



Dimensions shown in parentheses () are in millimeters.

DRAWING IS NOT TO SCALE!

Customer service: 888-805-9837

We can help you find the correct guide for your product and application!

Door preparation template

RB102