

B-Series

Installation Instructions

B250PD

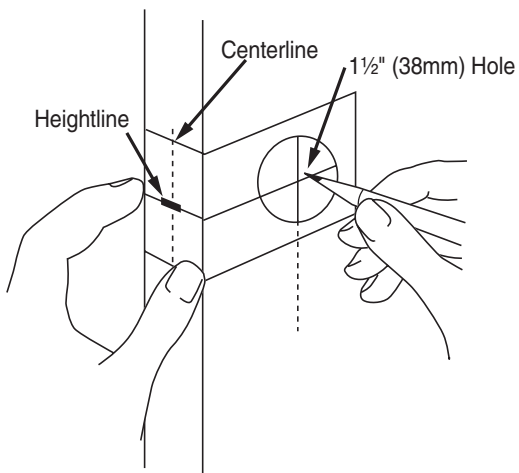
B460P, B461P, B463P

Single Cylinder Locks

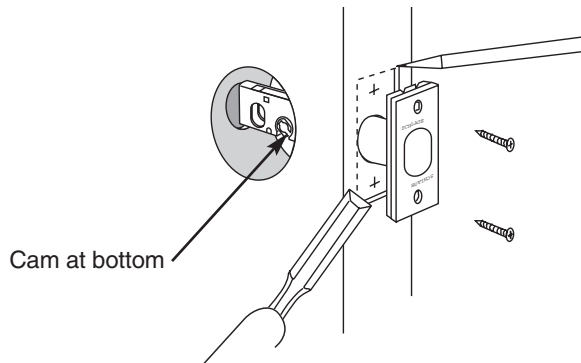
1

Mark door

Position centerline of template on heightline and mark center for 1½" (38mm) hole. Mark center of door thickness for latch hole.



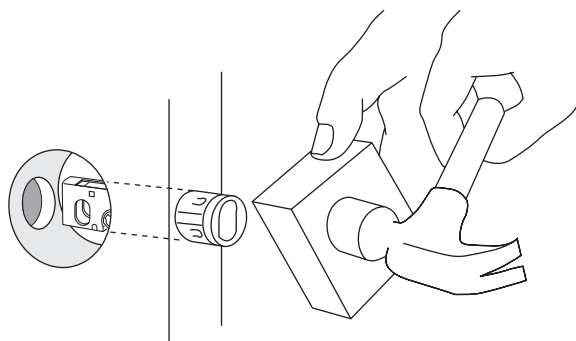
B. Line up and trace around faceplate for cutout. Remove deadbolt. Use chisel to remove wood until faceplate fits flush when bolt is fully inserted. Fasten to door with screws.



EXTEND BOLT. Use screwdriver to extend bolt. Bolt must be extended before proceeding.

C. (For Circular Deadbolts only)

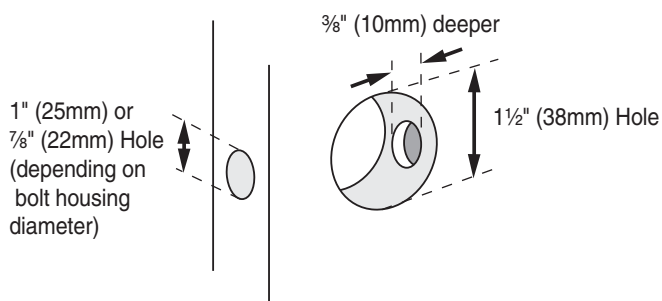
Insert deadbolt into hole as far as it will go. (Bolt must be retracted, as shown.) Place wooden block against bolt. Tap block with hammer or mallet until faceplate is flush with door edge.



2

Drill (2) holes

Drill a 1½" (38mm) hole thru door face (from both sides to avoid damaging wood). Drill a 1" (25mm) or ¾" (22mm) hole (depending on bolt housing diameter) in door edge. Drill ⅜" (10mm) deeper as illustrated.



NOTE: Hollow metal doors must be properly reinforced for latch support. If door reinforcement is not furnished, contact door manufacturer, or use Schlage reinforcer #37-001 (specify door thickness).

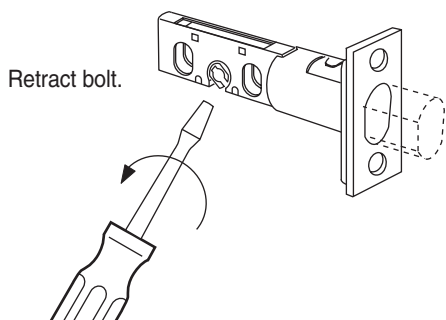
3

Install deadbolt

(See Step 4 for B250PD)

B460P, B461P, and B463P Deadbolts

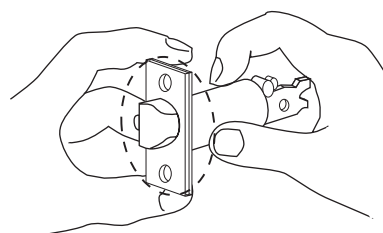
A. With deadbolt retracted (to retract bolt use provided driver bar or screwdriver to rotate cam), insert deadbolt into hole in edge of door.



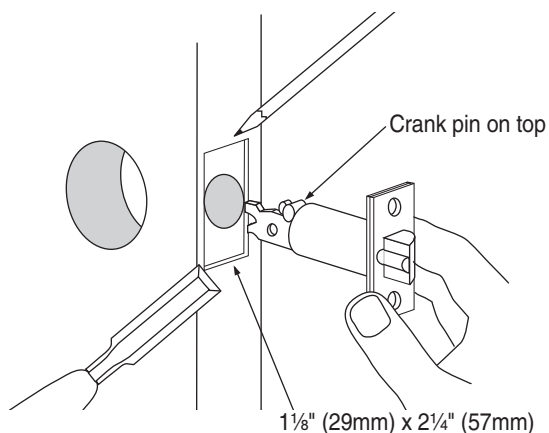
Install deadbolt

B250PD Deadlatch

A. Rotate faceplate (if necessary) to adjust latch so that bolt will face door jamb.



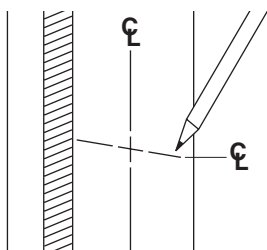
B. Insert latch into hole. Line up and trace around faceplate for cutout. Remove latch and use chisel to remove wood until faceplate fits flush when latch is fully inserted. Fasten to door with screws.



5

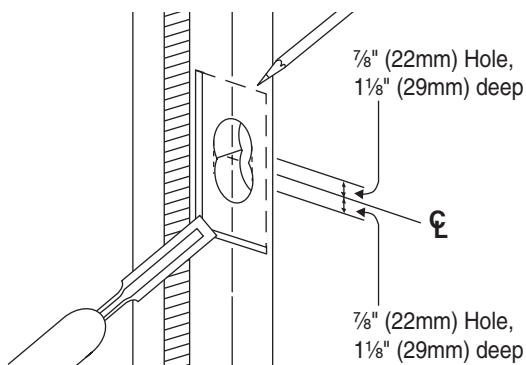
Prepare door jamb

Locate exact centerline of latchbolt and mark centerline on door jamb.

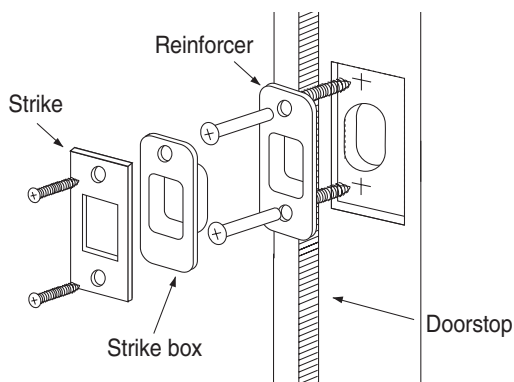


Strike for B460P, B461P, and B463P Deadbolts

A. Mark drill points above and below horizontal centerline. Drill (2) overlapping $\frac{7}{8}$ " (22mm) holes, $1\frac{1}{8}$ " (29mm) deep. Clean out holes for strike box. Place strike box in hole. Place strike over strike box and trace for cutout. Chisel $\frac{1}{4}$ " (6mm) deep for flush fit of reinforcer, strike box, and strike.

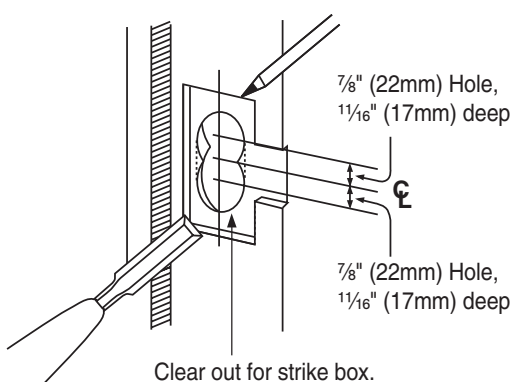


B. Place reinforcer screw holes toward door stop. Mark and drill $\frac{3}{16}$ " (5mm) pilot holes for 3" (76mm) wood screws. Install reinforcer, strike box, and strike. (Bolt must fit fully into strike without binding.)



Strike for B250PD Deadlatch

Mark drill points $\frac{1}{4}$ " (6mm) above and below horizontal centerline. Drill (2) overlapping $\frac{7}{8}$ " (22mm) holes, $1\frac{1}{8}$ " (17mm) deep. Clean out holes for strike box. Use strike as pattern for cutout, $\frac{1}{4}$ " (6mm) deep. Install strike box and strike with provided screws.

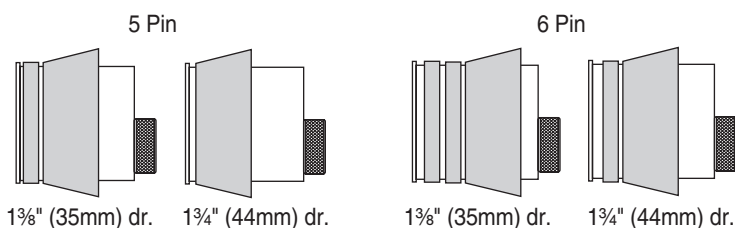
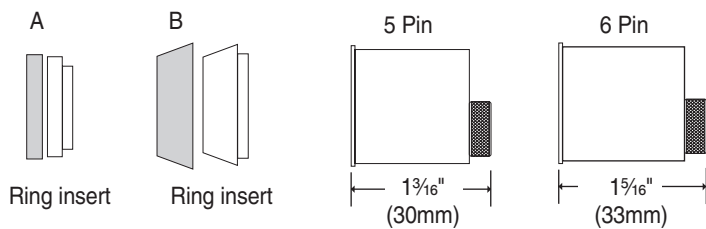


6

Select rings and inserts

Use chart to choose rings and inserts for door thickness adjustment.

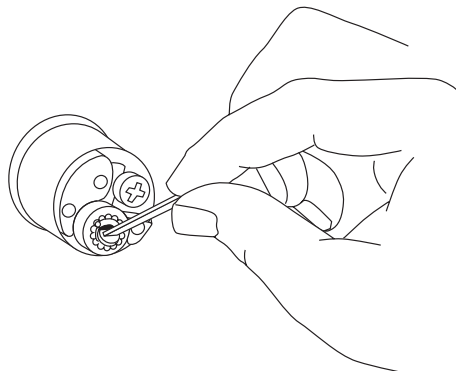
Door Thickness	5 Pin Cylinder	6 Pin Cylinder
$1\frac{3}{8}$ " (35 mm)	B and A	B and (2) A
$1\frac{3}{4}$ " (44 mm)	B	B and A



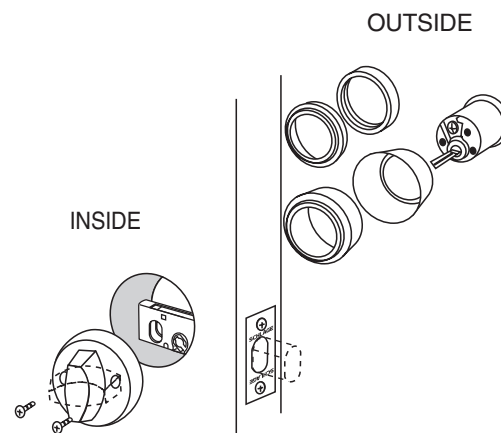
7

Install cylinders

A. Tip driver bar into cylinder opening and rotate vertically.



B. With key removed, insert cylinders into ring(s) and guide cylinder bars, vertically, into cam on deadbolt. Install thumbturn with bolt projected. Retract bolt, insert and tighten mounting screws evenly.



Parts contained in package

- 2-Keys
- 1-Cylinder
- 2- $\frac{7}{16}$ " (11mm) rings & hardened steel inserts
- 2- $\frac{1}{8}$ " (3mm) rings & hardened steel inserts
- 1-Driver bar
- 1-Deadlatch (B250PD) or 1-Deadbolt (B460P) or 1-Deadbolt (B461P) or 1-Deadbolt (B463P)
- 2-Mounting screws (cylinders)
- 1-Strike
- 1-Strike box
- 1-Strike reinforcement (B460P only)
- 2-3" (76mm) mounting screws (reinforcer)
- 4-Mounting screws, latch and strike