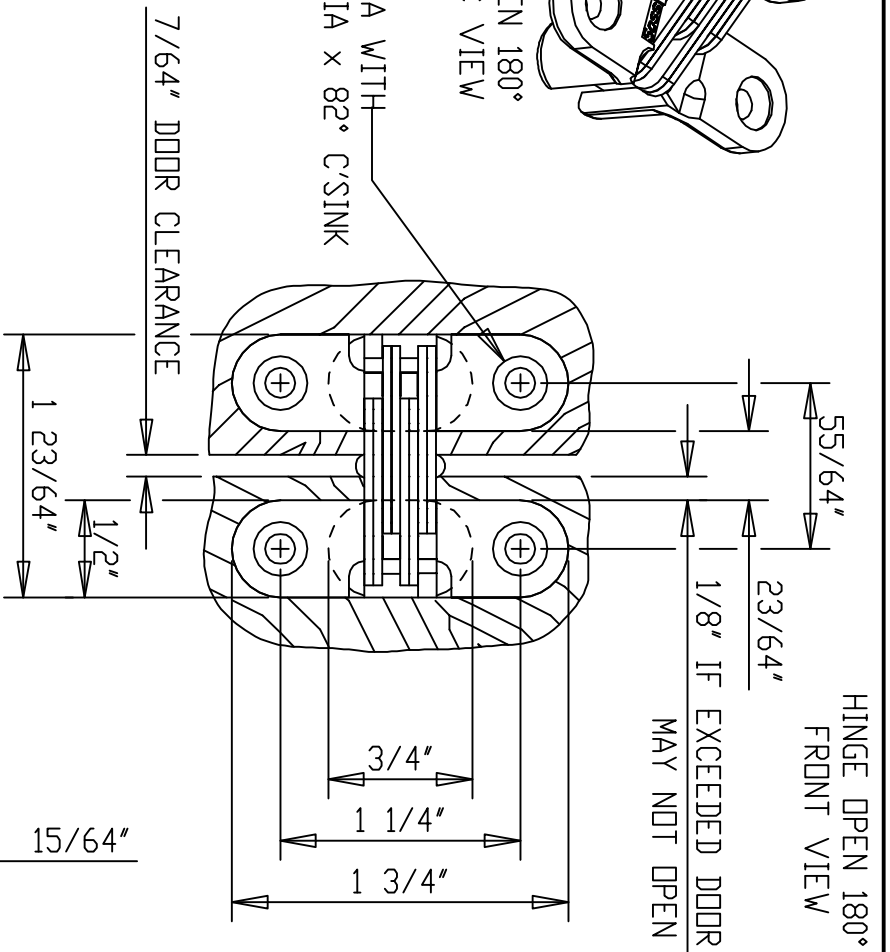


HINGE OPEN 180°
ISOMETRIC VIEW



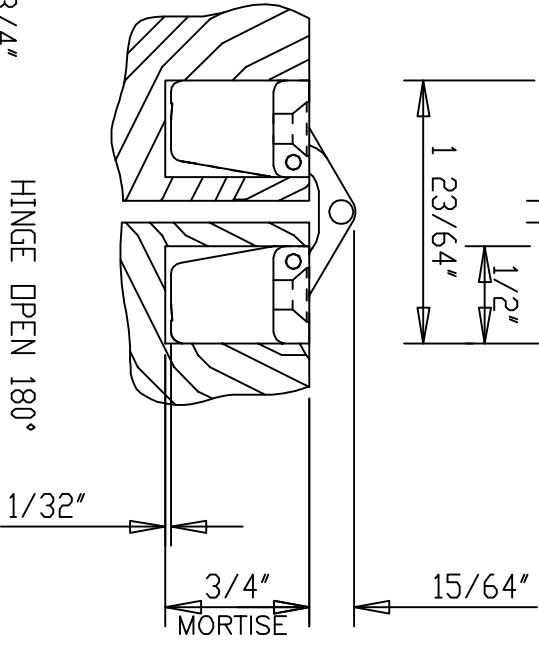
HINGE OPEN 180°
FRONT VIEW

SUPPLIED:
WOOD SCREW
#6 x 1"
SPECIAL ORDER:
MACH. SCREW
#6-40 x 1/2"

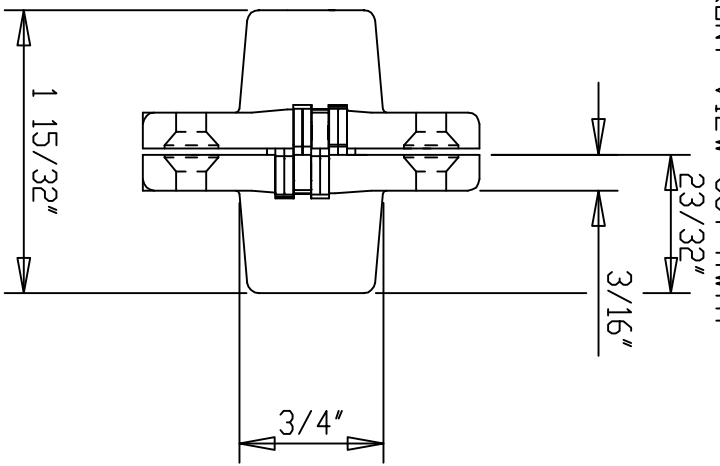
MIN. MATERIAL THICKNESS IS 3/4"
DO NOT SCALE DRAWING

ALL DIMENSIONS ARE IN INCH
DOOR CLEARANCE REDUCES TO 1/64" WHILE CLOSING
SEE DWG# 4477-C IF ADDING MATERIAL TO DOOR FACE AND/OR FRAME FACE

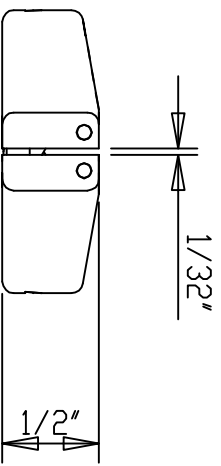
HINGE OPEN 180°
TOP VIEW CUT AWAY



HINGE CLOSED
FRONT VIEW CUT AWAY



HINGE CLOSED
TOP VIEW CUT AWAY



UIIP
©Copyright
Universal Industrial Products, Inc.
One Corey Drive
Pioneer, Ohio 43554-0628

SCALE: 1 = 1

DRAWN BY: LHH

DATE: 5/01/11

HINGE TEMPLATE
#203 SSSS INVISIBLE HINGE
DRAWING # 203