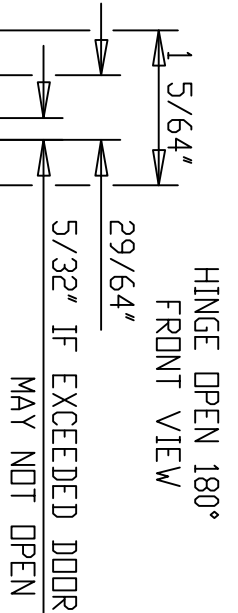


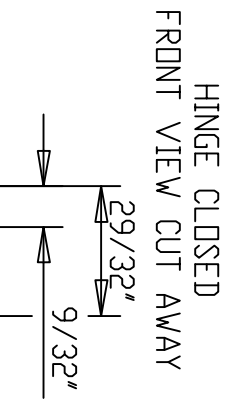
HINGE OPEN 180°
ISOMETRIC VIEW

3/16" DIA HOLE WITH
11/32" DIA X 82° C/SINK

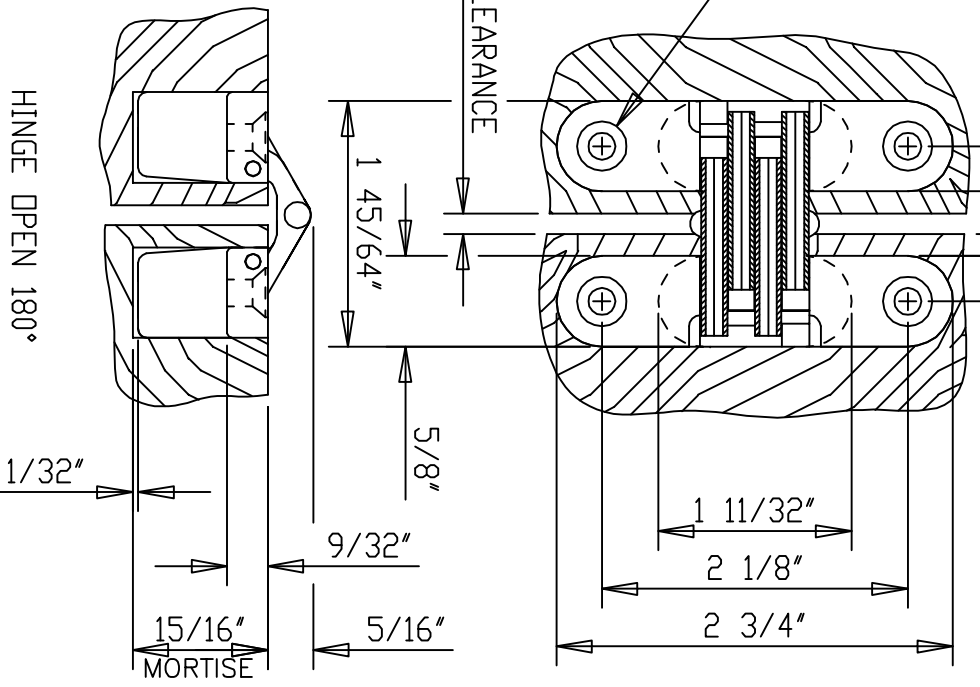
9/64" DOOR CLEARANCE



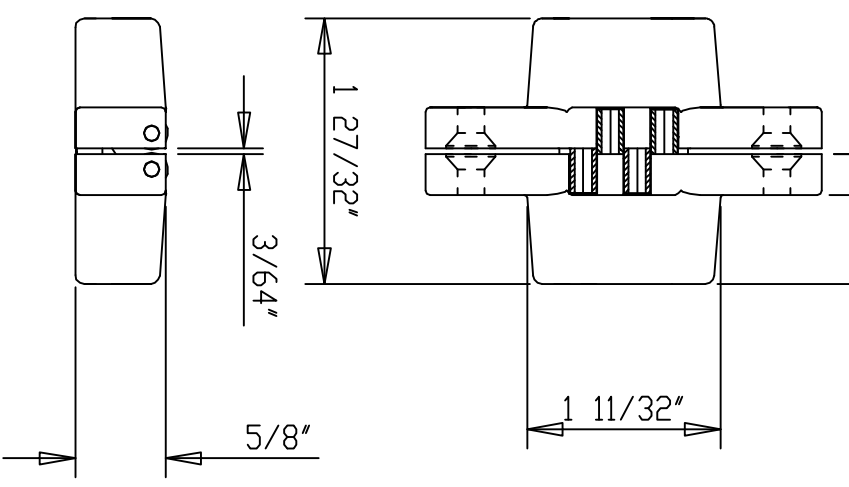
HINGE OPEN 180°
FRONT VIEW



HINGE CLOSED
FRONT VIEW CUT AWAY



HINGE OPEN 180°
TOP VIEW CUT AWAY



HINGE CLOSED
TOP VIEW CUT AWAY

- SUPPLIED:
- WOOD SCREW
- #8 x 1-1/4"
- SPECIAL ORDER:
- MACH. SCREW
- #8-32 x 5/8"

MIN. MATERIAL THICKNESS IS 1"
DO NOT SCALE DRAWING
ALL DIMENSIONS ARE IN INCH
DOOR CLEARANCE REDUCES TO 1/64" WHILE CLOSING
SEE DWG# 4477-C IF ADDING MATERIAL TO DOOR FACE AND/OR FRAME FACE

| | | |
|---|--|----------------|
| <p>©Copyright Universal Industrial Products, Inc. One Coreyway Drive Pioneer, Ohio 43354-0628</p> | | SCALE: 3/4 = 1 |
| | | DRAWN BY: LHH |
| HINGE TEMPLATE | | DATE: 10/01/13 |
| #208 SSSS INVISIBLE HINGE | | DRAWING # 208 |