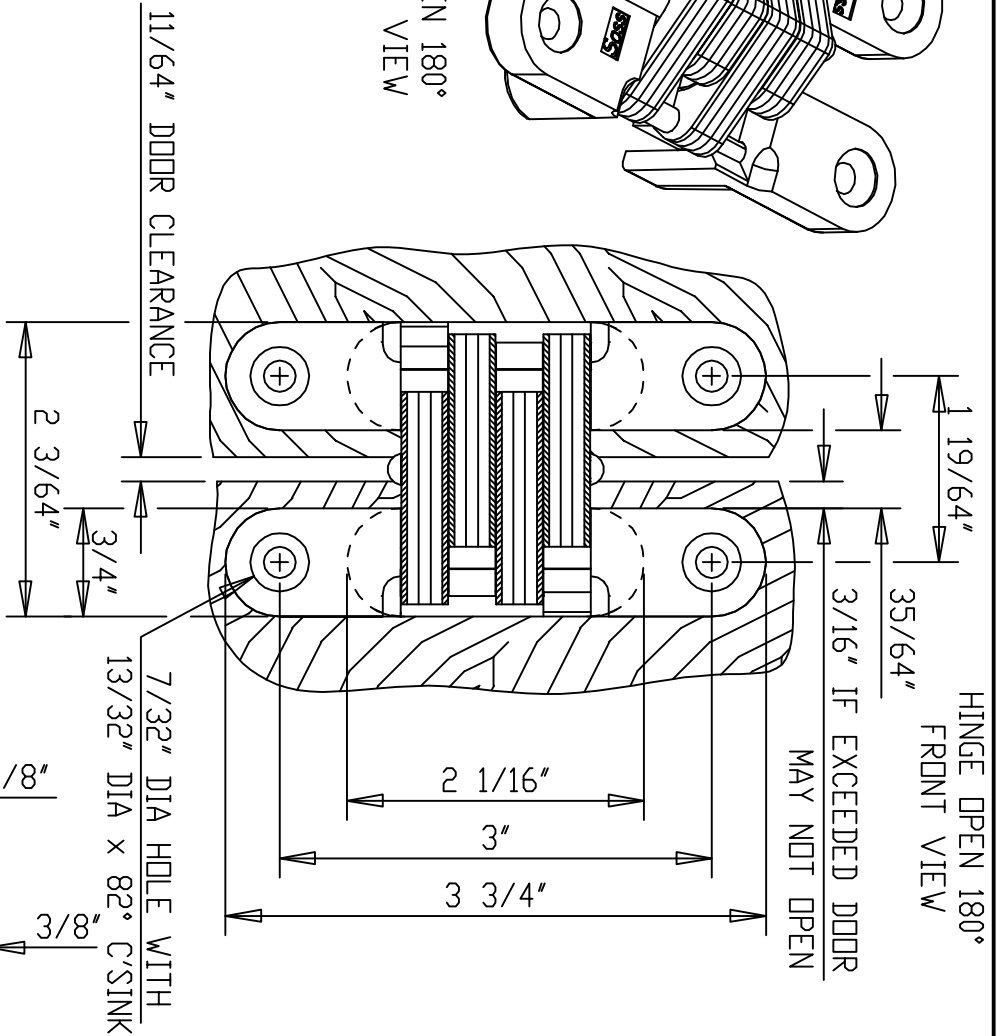
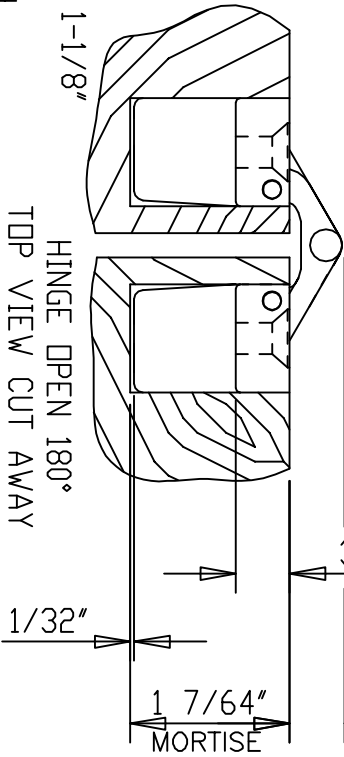


HINGE OPEN 180°  
ISOMETRIC VIEW

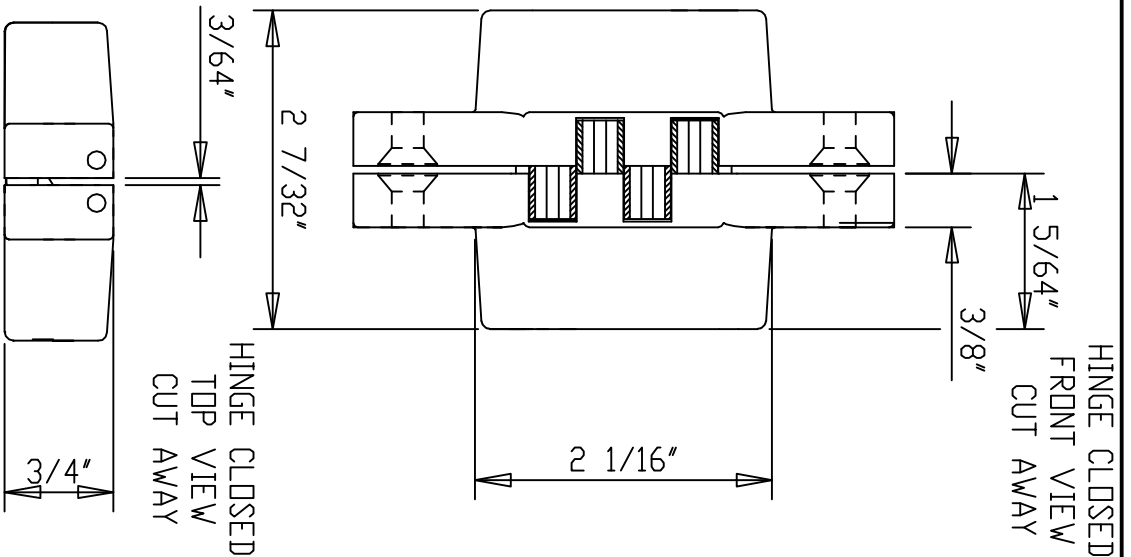


HINGE OPEN 180°  
FRONT VIEW

SUPPLIED:  
WOOD SCREW  
#10 x 1-1/4"  
SPECIAL ORDER:  
MACH. SCREW  
#10-24 x 3/4"



HINGE OPEN 180°  
TOP VIEW CUT AWAY



HINGE CLOSED  
FRONT VIEW  
CUT AWAY

HINGE CLOSED  
TOP VIEW  
CUT AWAY

MIN. MATERIAL THICKNESS IS 1-1/8"  
DO NOT SCALE DRAWING  
ALL DIMENSIONS ARE IN INCH  
DOOR CLEARANCE REDUCES TO 1/64" WHILE CLOSING  
SEE DWG# 4477-C IF ADDING MATERIAL TO DOOR FACE AND/OR FRAME FACE

<p>©Copyright Universal Industrial Products, Inc. One Coreway Drive Pioneer, Ohio 43354-0628</p>		SCALE: 3/4 = 1
		DRAWN BY: LHH
HINGE TEMPLATE		DATE:
#212 SOSS INVISIBLE HINGE	DRAWING # 212	