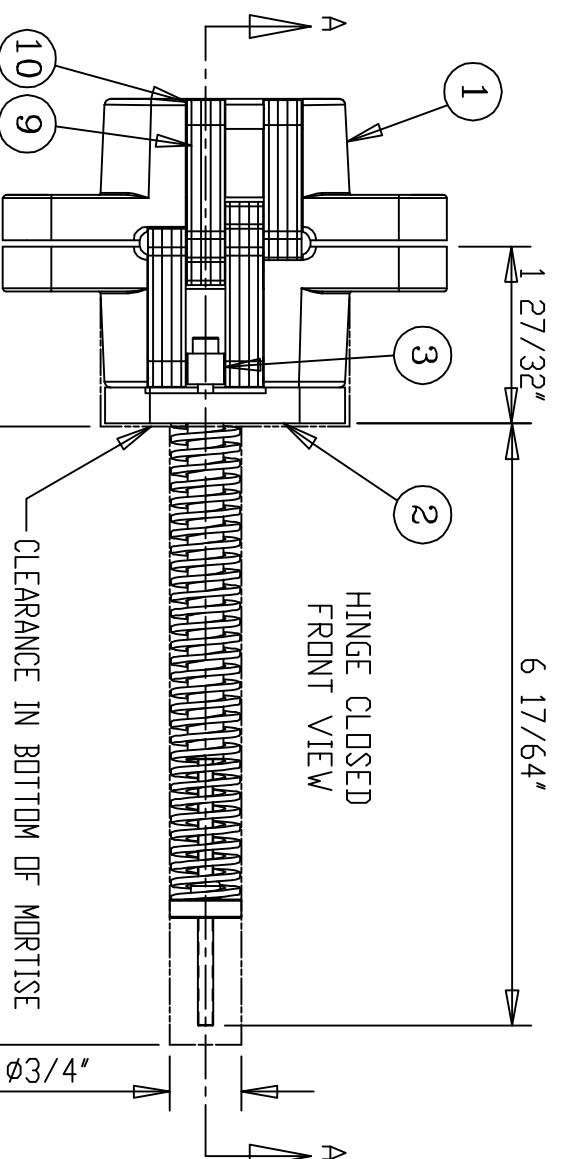
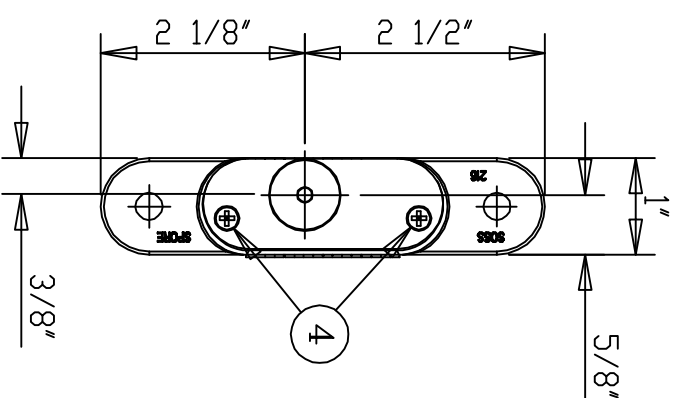


HINGE OPEN 180°



HINGE CLOSED
FRONT VIEW

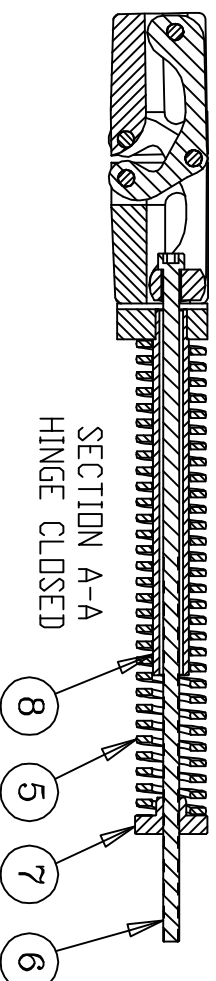


NO.	QTY.	PART NAME	MATERIAL
1	2	HINGE BODY	ZAMAK ND-3
2	1	BACK PLATE	STEEL
3	1	SLIDE	STEEL
4	2	FLAT HEAD SCREW	STEEL
5	1	SPRING	STEEL
6	1	CAP SCREW	STEEL
7	1	RETAINER	STEEL
8	1	GUIDE TUBE	STEEL
9	12	LINK	STEEL
10	8	LINK	NYLON 6/6
11	2	SHORT ROLLER	NYLON 6/6
12	2	LONG ROLLER	NYLON 6/6
13	1	SPACER	NYLON 6/6
14	1	RIVET PIN	STEEL
15	2	LONG PIN	STEEL
16	1	CHANNEL PIN	STEEL

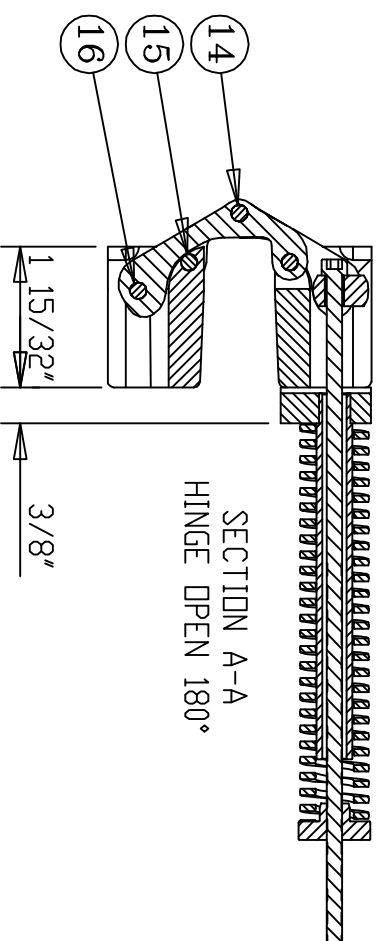
SUPPLIED:

WOOD SCREW MACHINE SCREW
#14 x 1-1/2" 1/4-20 X 1"


DO NOT SCALE DRAWING
ALL DIMENSIONS ARE IN INCH
MIN. MATERIAL THICKNESS IS 1-3/8"
FOR BODY DIMENSIONS SEE #216FR HINGE TEMPLATE DRAWING



SECTION A-A
HINGE CLOSED



SECTION A-A
HINGE OPEN 180°

B	5/7/15	ADDED GUIDE TUBE	LHH
A	5/12/13	REDRAWN	SRD
REV	DATE	DESCRIPTION	BY
 ©Copyright Universal Industrial Products, Inc. One Coreway Drive Pioneer, Ohio 43554-0628			
SELF-CLOSING HINGE TEMPLATE			SCALE: 1/2 = 1
#216IC SELF-CLOSING SSSS INVISIBLE HINGE			DATE: 10/15/18
			DRAWN BY: LHH
			DRAWING # 216 IC