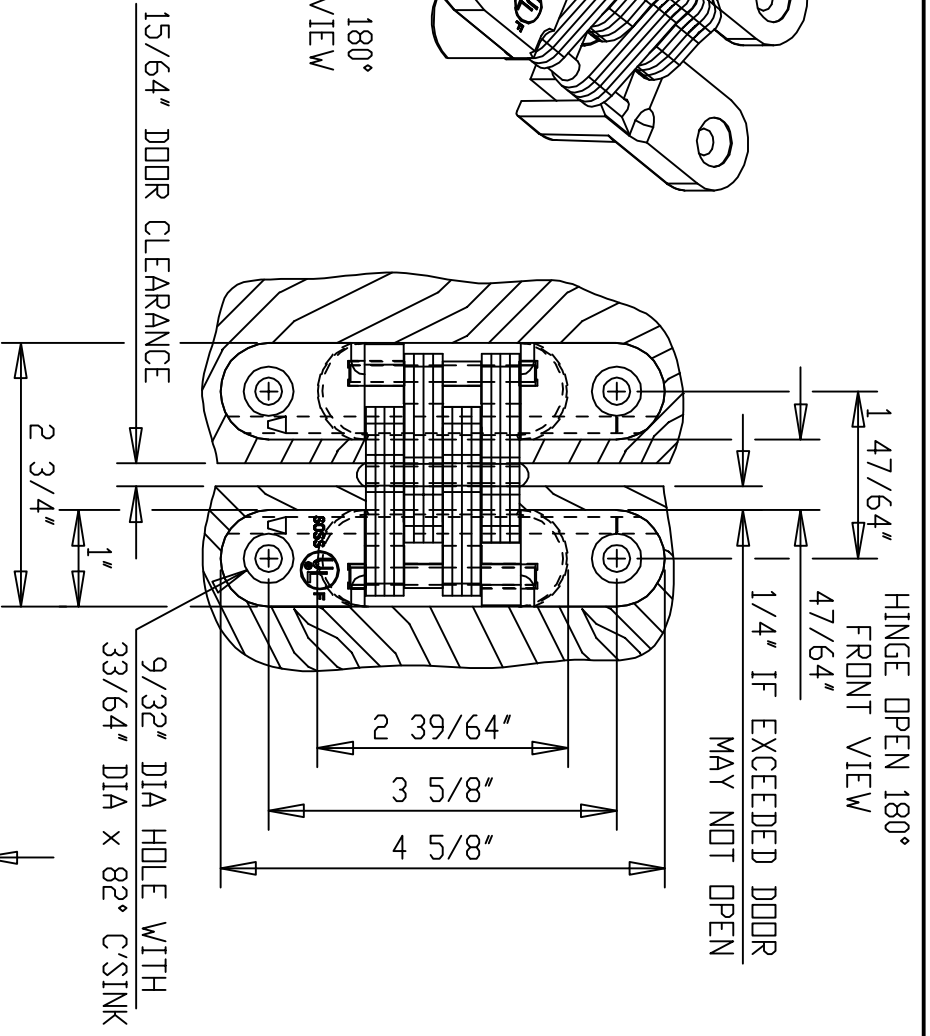
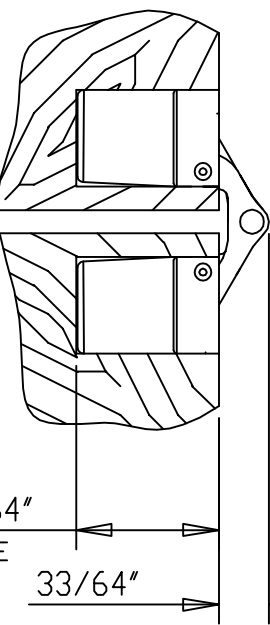
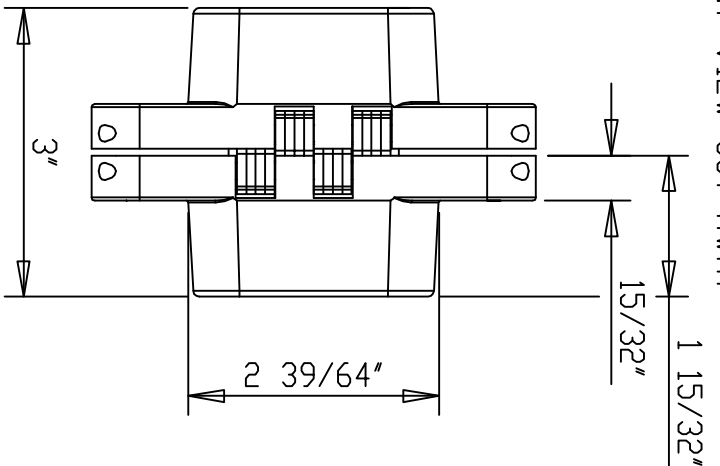


HINGE OPEN 180°
ISOMETRIC VIEW



HINGE OPEN 180°
FRONT VIEW

HINGE CLOSED
FRONT VIEW CUT AWAY




HINGE OPEN 180°
TOP VIEW CUT AWAY

HINGE CLOSED
TOP VIEW CUT AWAY

SUPPLIED:
WOOD SCREW
#14 x 1-1/2"
SPECIAL ORDER:
MACH. SCREW
1/4-20 x 1"

MIN. MATERIAL THICKNESS IS 1-3/8"
DO NOT SCALE DRAWING
ALL DIMENSIONS ARE IN INCH
DOOR CLEARANCE REDUCES TO 1/64" WHILE CLOSING
SEE DWG# 4477-C IF ADDING MATERIAL TO DOOR FACE AND/OR FRAME FACE

 ©Copyright Universal Industrial Products, Inc. One Cornway Drive Pioneer, Ohio 43354-0628		SCALE: 1/2 = 1
		DRAWN BY: LHH
HINGE TEMPLATE		DATE: 5/01/11
SOSS INVISIBLE HINGE 416/416SS 3 HOUR FR		DRAWING # 416