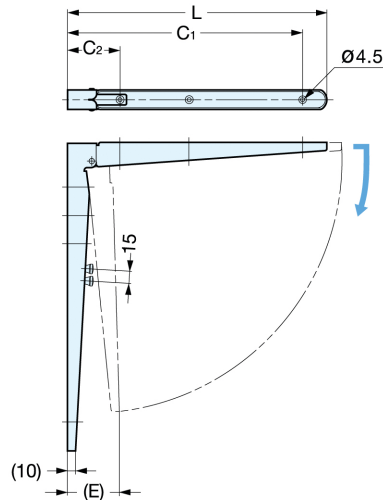


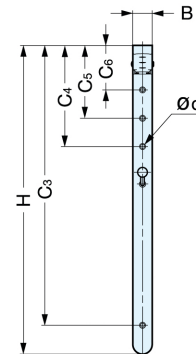
FOLDING BRACKET (W/STOPPER)



BTO



- Folding bracket with manual lock lever.
- Slide the lock lever to lock/unlock in open position.
- Bracket with hinge function in one unit.
- Supplied with white painted screws.



Item No.	L	H	B	(E)	C ₁	C ₂	C ₃	C ₄	C ₅	C ₆	d	t
BTO-300S	241 (9-31/64")	300 (11-13/16")	23 (29/32")	(57)	211	61	270	80	50	-	5	-
BTO-300W												

Item No.	Load Capacity (kg)	Weight (g)	Box (pcs)	Carton (pcs)
BTO-300S	40.8 (89.9 lbs)/pc	510	10	40
BTO-300W				

NO.	Part Name	Material	Finish/Color
①	Body	304 Stainless Steel (S)/Steel (W)	Satin (S)/White (W)
②	Knob	Brass	Plain