



# SUGATSUNE

## ALT-ST15-D10 POCKET DOOR SYSTEM

OVERLAY/ Door Height: 19-11/16" - 63"

- Pocket Door System (Overlay / Soft-Close) with door alignment adjustability.
- Overlay amount is up to 3/8" (10 mm).
- Overlay damper unit with adjustment screw (included with package).
- The damper hinges can be replaced with hinges with catch function (included with package).
- The hanging angle of the door can be easily adjusted to prevent door sag. When installing, the door can be lifted upward into 5 different angles.
- The sliding system allows doors to retract inside cabinets. Doors will not occupy space, providing full access to inside of cabinets.
- Available slide lengths: 16", 19", 22", 24" and 28".
- The fittings allow the door to retract further into the cabinet than the ALTST20-D10.
- Durability: successfully passed 40,000 open/close private cycles.



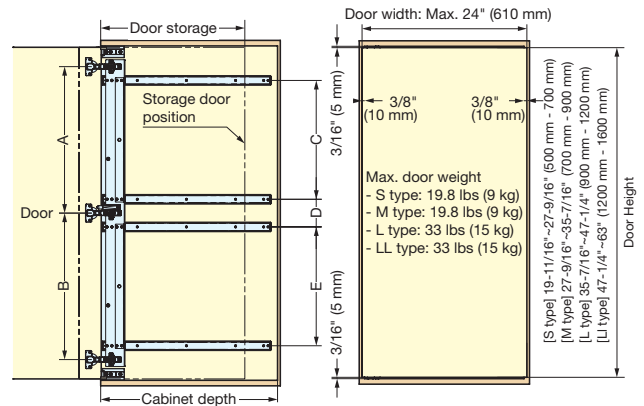
# POCKET DOOR SYSTEM (OVERLAY)

# ALT-ST15-D10

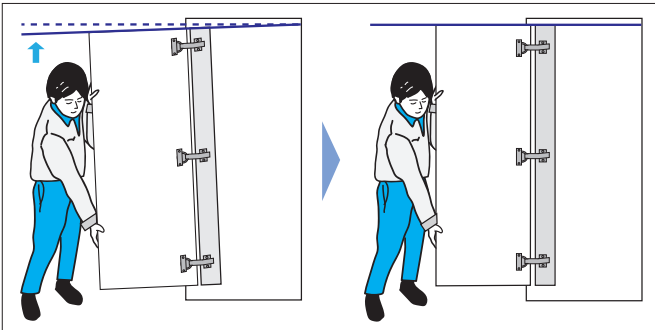


- Overlay Pocket Door System with door alignment adjustability.
- Overlay amount is up to 3/8" (10 mm).
- Overlay damper unit with adjustment screw (included with package).
- The damper hinges can be replaced with hinges with catch function (included with package).
- The hanging angle of the door can be easily adjusted to counteract and prevent door sag. When installing, the door can be lifted upward into 5 positions.
- The sliding system allows doors to recede inside cabinets. Doors will occupy minimal amount of space, providing full access to cabinet interior.
- Available slide lengths: 16", 19", 22", 24" and 28".
- The fittings allow the door to retract further into the cabinet than the ALTST20-D10.
- Durability: successfully passed 40,000 open/close private cycles.

## Installation

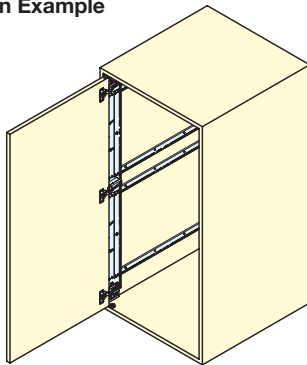


## Easy Door Alignment Adjustment

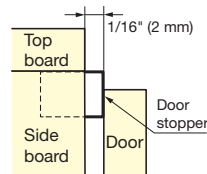


When installing, you can adjust the hanging angle just by lifting up the door.

## Installation Example

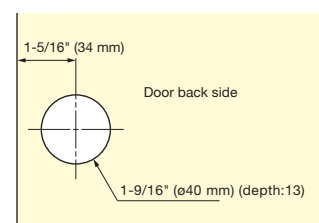


## Use on Double Doors



Set a door bumper or stopper on the leading edge side to prevent contact between door and side board.

## Cut Out Dimensions



- Number of slides
- S type : 2 pcs
- M type : 2 pcs
- L type : 4 pcs
- LL type : 4 pcs

Last Digits of Item Name (Parts Set)	Door Storage Amount	Min. Cabinet Depth
16	12-3/8" (315 mm)	16-9/16" (420 mm)
19	15-3/8" (391 mm)	19-1/2" (496 mm)
22	18-3/8" (467 mm)	22-1/2" (572 mm)
24	20-3/8" (518 mm)	24-1/2" (623 mm)
28	24-7/16" (620 mm)	28-9/16" (725 mm)

	ALT-ST15-D10S (2 slides)	ALT-ST15-D10M (2 slides)	ALT-ST15-D10L (4 slides)	ALT-ST15-D10LL (4 slides)	
Door Width	Max. 24" (610 mm)				
Door Height	19-11/16"~27-9/16" (500 - 700 mm)	27-9/16"~35-7/16" (700 - 900 mm)	35-7/16"~47-1/4" (900 - 1200 mm)	47-1/4"~63" (1200 - 1600 mm)	
Door Thickness	11/16"~13/16" (18 - 20 mm)				
Door Weight	Max. 19.8 lbs (9 kg)		Max. 33 lbs (15 kg)		
Type	Hinge Pitch			Slide Pitch	
	A	B	C	D	E
S Type	14-3/16" (360 mm)	-	10-1/4" (260 mm)	-	-
M Type	22-1/16" (560 mm)	-	18-1/8" (460 mm)	-	-
L Type	14-15/16" (380 mm)	14-15/16" (380 mm)	10-1/4" (260 mm)	5-1/2" (140 mm)	10-1/4" (260 mm)
LL Type	20-7/8" (530 mm)	20-7/8" (530 mm)	16-15/16" (430 mm)	3-15/16" (100 mm)	16-15/16" (430 mm)