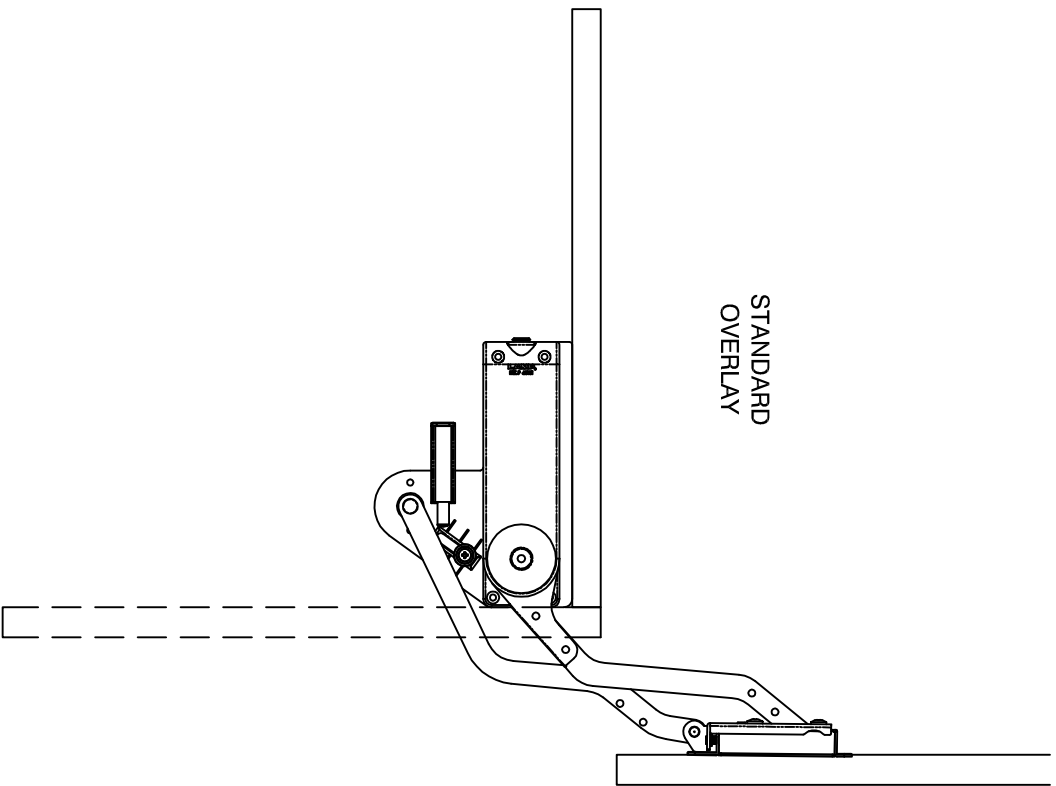
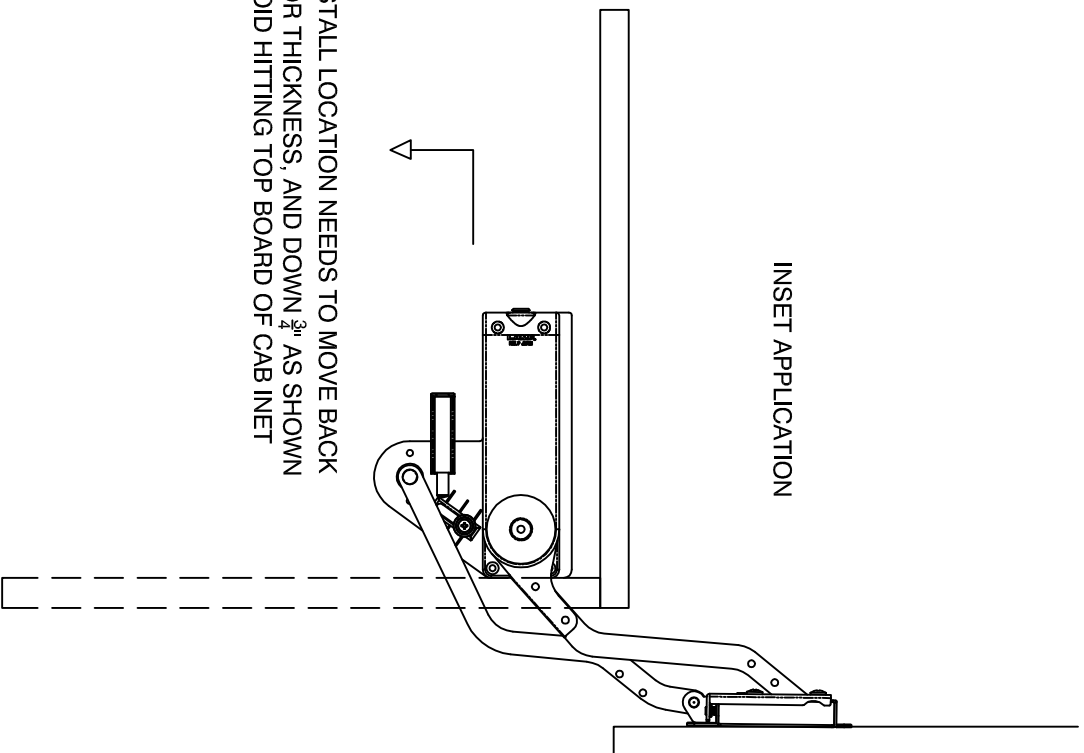


STANDARD
OVERLAY



INSET APPLICATION



INSET INSTALL LOCATION NEEDS TO MOVE BACK
BY A DOOR THICKNESS, AND DOWN $\frac{3}{4}$ " AS SHOWN
TO AVOID HITTING TOP BOARD OF CABINET