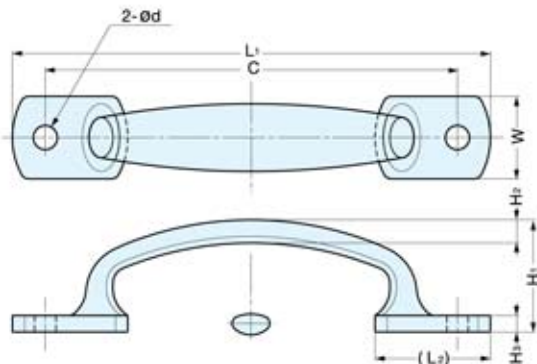


TRANSOM HANDLE



3LC



Item No.	L ₁	L ₂	W	H ₁	H ₂	H ₃	C	d	Weight (g)	Box (pcs)	Carton (pcs)
3LC-120	120	29	20	30 (1-3/16")	6	5	105 (4-9/64")	5.5	90	100	500
3LC-130	130	30	22	33 (1-19/64")	7	6	115 (4-17/32")		120		
3LC-145	145	35	25	34 (1-11/32")					125 (4-59/64")	155	80

Material	Finish
316 Stainless Steel	Mirror